

MATERIALS AND FINISHES

BODY, CRIMP TUBE: BRASS
PLATED SEE TABLE

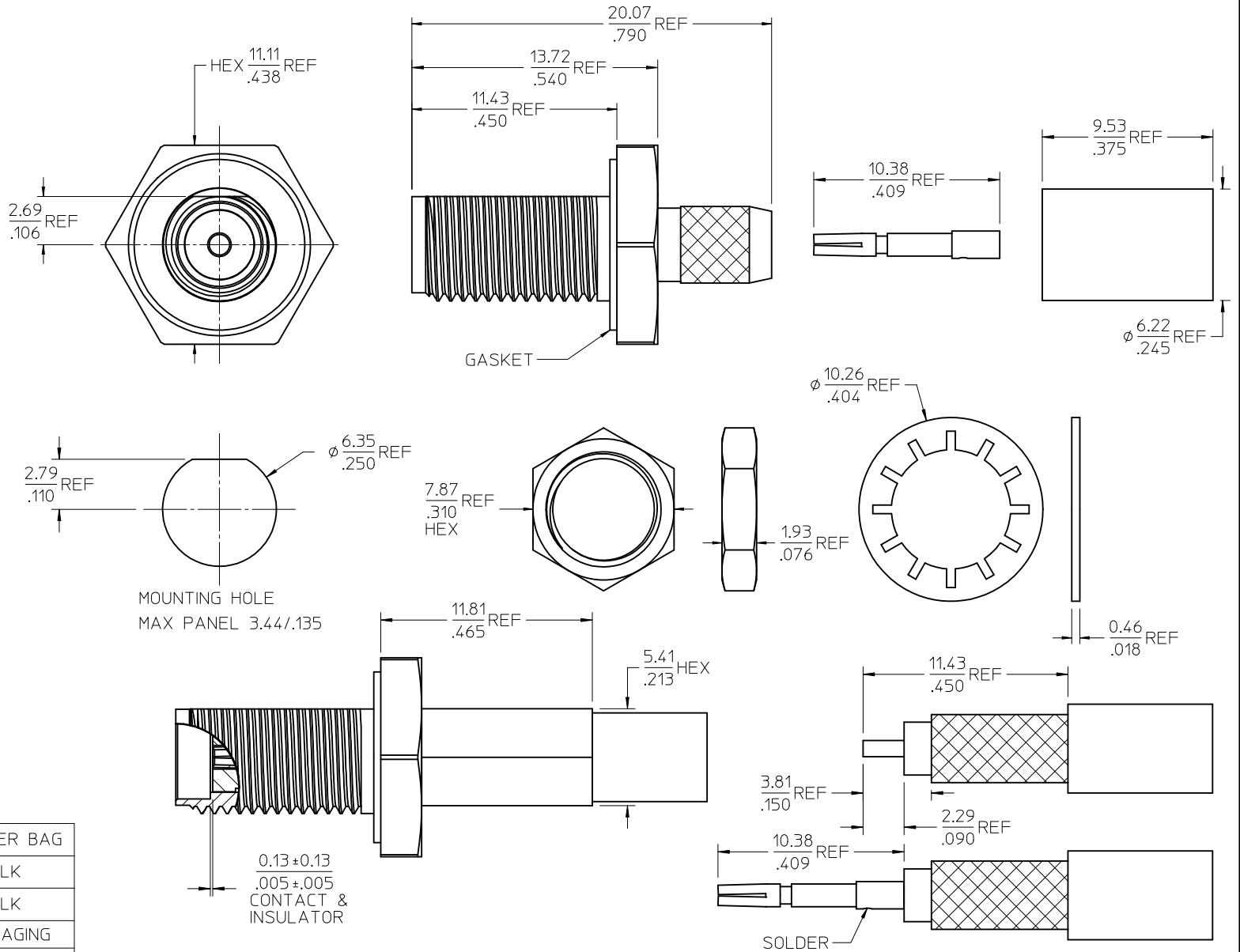
CENTER CONTACT: BERYLLIUM COPPER
PLATED GOLD

INSULATOR: TEFLON

JAM NUT: BRASS
PLATED SEE TABLE

LOCKWASHER: PHOSPHOR BRONZE
PLATED SEE TABLE

GASKET: SILICONE RUBBER



73251-3802	NICKEL	ONE PER BAG
73251-3801	GOLD	BULK
73251-3800	NICKEL	BULK
PART NO.	PLATING	PACKAGING

PS-89675-3460	PRODUCT SPECIFICATION
MIL-STD-348A, FIG. 310.2	INTERFACE
SPECIFICATION	DESCRIPTION

CHG: PS WAS
PS-89675-2900
ADDED -3802
ADDED PACKAGING
EC NO: URF2012-0435
DRWN: WIENER 2012/01/27
CHKD: SSS 2012/01/27
APPR: WIENER 2012/01/31

QUALITY SYMBOLS
▽=0
▽=0

GENERAL TOLERANCES (UNLESS SPECIFIED)

	mm	INCH
4 PLACES ±	---	±---
3 PLACES ±	---	±---
2 PLACES ±	---	±---
1 PLACE ±	---	±---
ANGULAR ± 2 °		

DRAFT WHERE APPLICABLE
MUST REMAIN
WITHIN DIMENSIONS

DIMENSION STYLE
MM/IN

DRAWN BY	DATE
AZR	2009/05/28
CHECKED BY	DATE
SSS	2009/05/28
APPROVED BY	DATE
JDW	2009/05/28

MATERIAL NO.
SEE TABLE

SIZE
C

SCALE
DESIGN UNITS
METRIC

THIRD ANGLE PROJECTION

TITLE
SMA JACK BULKHEAD
STRAIGHT FOR RG-58
SMA-JC/BLK, EWR-4115

MOLEX MOLEX INCORPORATED

DOCUMENT NO.
SD-73251-380

SHEET NO.
1 OF 1

THIS DRAWING CONTAINS INFORMATION THAT IS PROPRIETARY TO MOLEX INCORPORATED AND SHOULD NOT BE USED WITHOUT WRITTEN PERMISSION