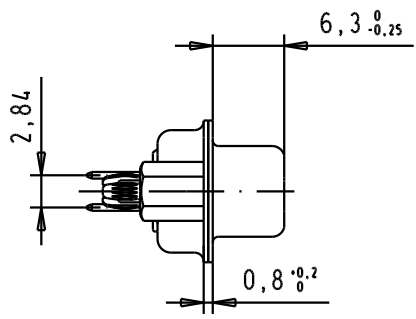
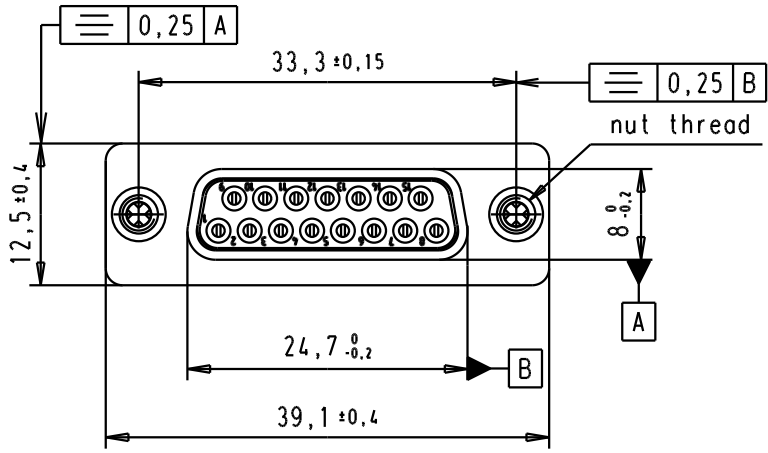


5 4 3 2 1



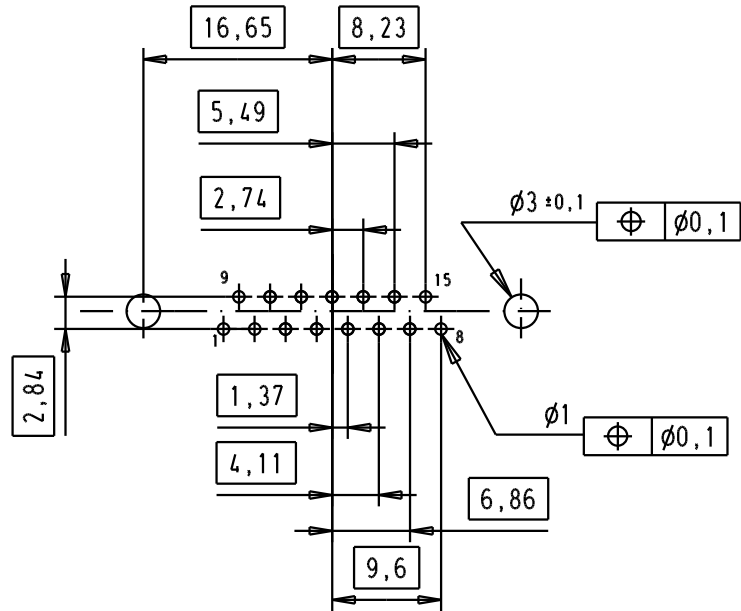
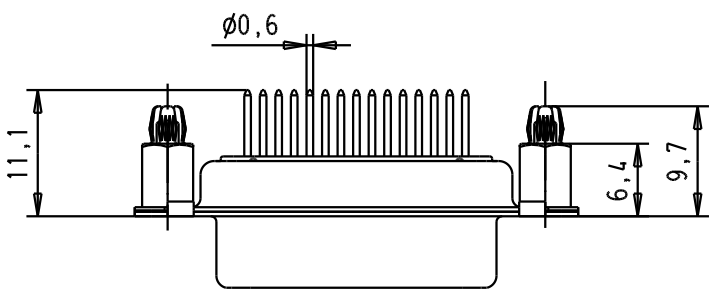
SPECIFICATION: C Filter

Mating Cycles	500
Capacitance	47pf±20%
Working Voltage	100v
Current Rating	7.5A
Insulation Resistance	>1GΩ

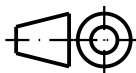

Minimum insertion loss

FREQUENCY (MHz)	ATTENUATION (dB)
5	-
10	-
50	-
100	-
500	30dB
1000	35dB

PCB Layout, component side, PCB thickness 1,6 mm



09 64 212 7216	M3
09 64 212 7215	UNC 4-40
Part number	Nut thread

				Dat.	Name	 All Dim. in mm Orig. Size DIN A 4
			Detail.	8-JUL-02	CV	
			Insp.			
			Stand.			
31897	17/05/04	AF	HARTING EURL			
31058	8-JUL-02	CV	F-95972 Paris			
Mod.	Dat.	Name				

D-Sub, female, straight, 15 Poles, with turned solder pin and spacer nut with board lock	Mo?MsLab/Scale
TB 0964212721x	1.5:1
Sub.	Blatt/ Page
	2 / 3