

REVISION RECORD		
REV	DESCRIPTION	DRFT
A	NEW RELEASE	Ricky
B	UPDATE THE DURABILITY TO 5000	Ricky

H

G

F

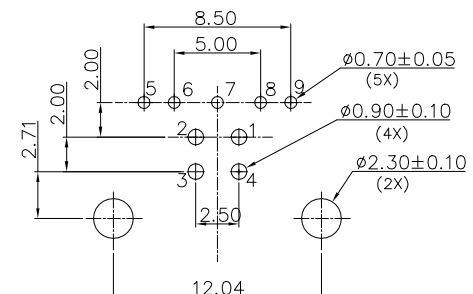
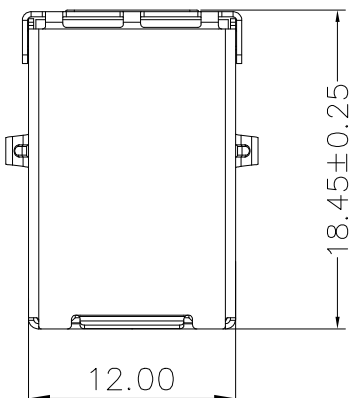
E

D

C

B

A



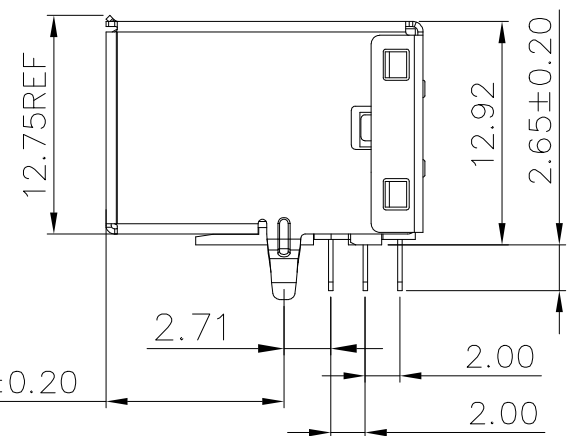
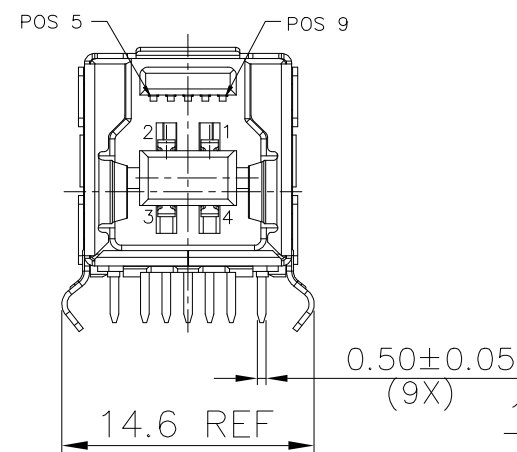
RECOMMENDED P.C.B HOLE LAYOUT
TOP VIEW(TOLERANCE: ±0.10)

MATERIALS AND PLATING
 SHELL: C2680 T=0.30mm
 PLATING: NICKEL PLATED 50u" MIN. OVERALL
 TERMINAL MATERIAL:
 4PIN: C5191,T=0.25MM
 5PIN: C2680,T=0.25MM
 PLATING: TIN PLATED 80u" MIN. ON SOLDER TAIL
 NICKEL UNDERPLATED 50u" MIN. OVERALL
 3u" MIN GOLD PLATED ON CONTACT AREA,
 HOUSING&COVER MATERIAL: PA9T UL94V-0 HF ,COLOR: BLUE300C

ELECTRICAL PERFORMANCE
 * RATED VOLTAGE: 30V
 * RATED CURRENT: 1.8A FOR 1&4PIN , 0.25A FOR OTHER PIN.
 * INSULATION RESISTANCE: 100 MΩ MIN.
 * DIELECTIC WITHSTANDING VOLTAGE: 100V AC.TEST TIME:1 SEC.MIN.
 * CONTACT RESISTANCE: 30mΩ MAX. FOR PIN1 AND PIN4
 50mΩ MAX. FOR OTHER CONTACTS

ENVIRONMENTAL PERFORMANCE
 * OPERATING TEMPERATURE: -20°C~85°C
 * STORAGE TEMPERATURE: -20°C~60°C ,RELATIVE HUMIDITY 20%~70%
 * STORAGE LIFE: 6 MONTHS MAX.
 * SALT SPRAY TEST: 24H

MECHANICAL PERFORMANCE
 * DURABILITY: 200 CYCLES/H , 5000 CYCLES;
 * INSERTION FORCE: 35N MAX
 * EXTRACTION FORCE: 10N MIN
 * THE PEAK OF TEMPERATURE ON SOLDERING: THT260±5°C 60S



← MM (INCH) → TOLERANCES EXCEPT AS NOTED MM . ± 0.30 .0 ± 0.20 .00 ± 0.10 .000 ± 0.05		DFTO Ricky DATE 06/02/2020 CHKD DATE APPVL DATE MATERIAL : QTY : FINISH : SCALE : 1:1	RoHS Compliant TITLE USB 3.0 B TYPE RECEPTACLE DRAWING NO. E8199-030-03 SIZE A3 REV B /PART NO. E8199-030-03 DO NOT SCALE DRAWING SHEET 1 OF 1
---	--	--	---