

MATERIALS AND FINISHES:

BODY: ZINC ALLOY
PLATED NICKEL

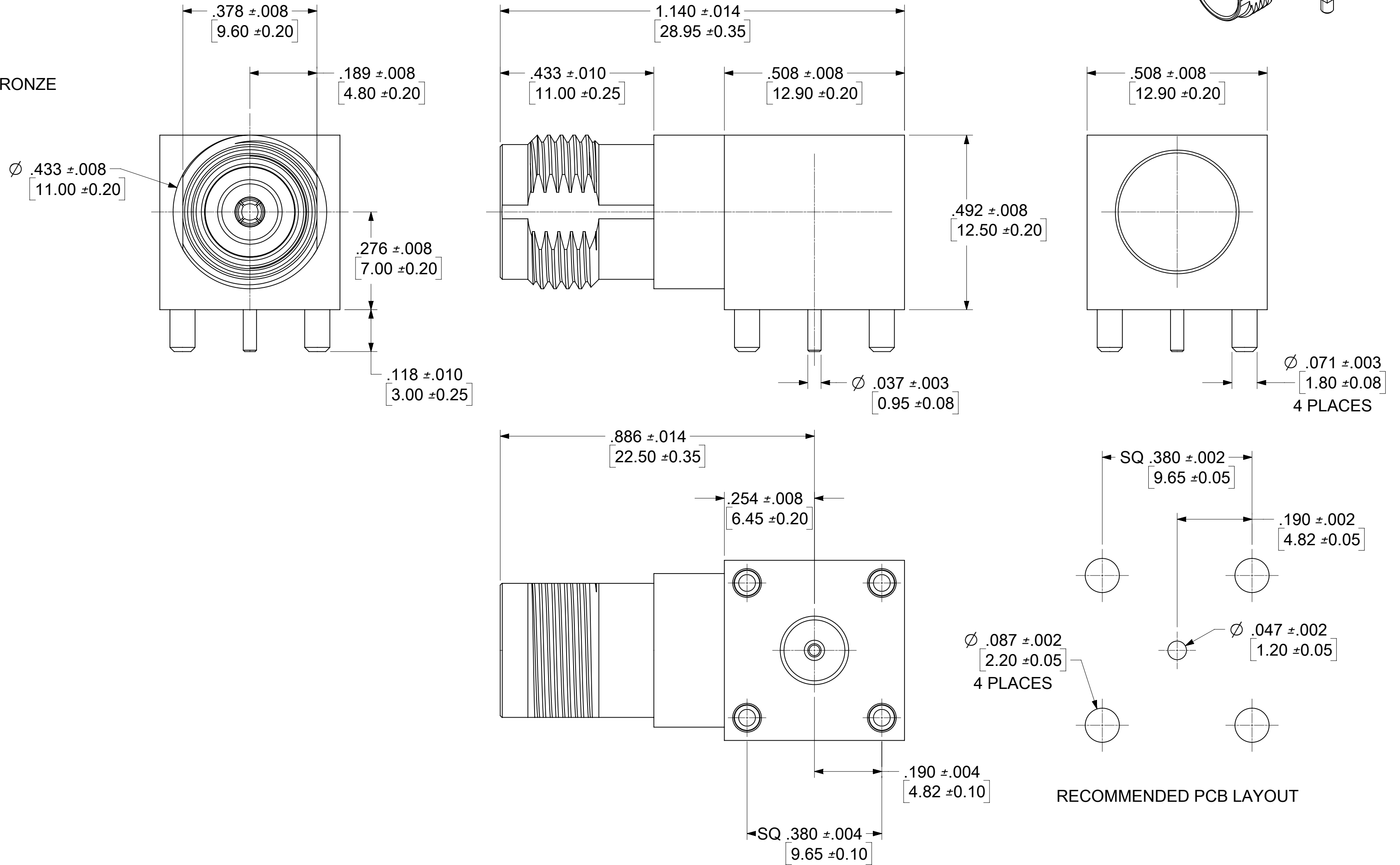
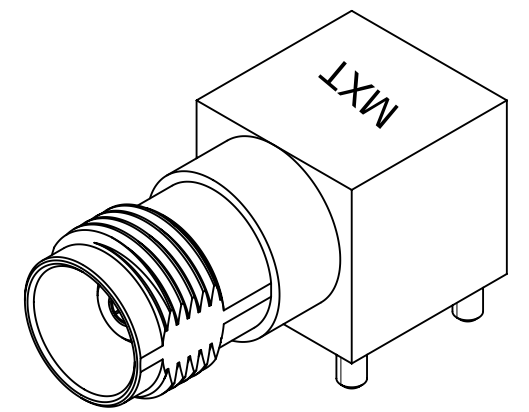
RING: BRASS
PLATED NICKEL

LEGS: BRASS
PLATED TIN

CONTACT FRONT: PHOSPHOR BRONZE
PLATED GOLD

CONTACT REAR: BRASS
PLATED GOLD

INSULATOR: TEFLON



RECOMMENDED PCB LAYOUT

73216-2710	73100-0135 ; ONE PER BAG WITH LABEL
73100-0135	TRAY
PART NO.	PACKAGING

PS-89675-1400	PRODUCT SPECIFICATION
MIL-STD-346A, FIG. 313.2	INTERFACE
SPECIFICATION	DESCRIPTION

REV	DATE	DESCRIPTION
A2	2020/4/23	ADD TOLERANCE PER EWR #13763-A

THIS DRAWING CONTAINS INFORMATION THAT IS PROPRIETARY TO MOLEX ELECTRONIC TECHNOLOGIES, LLC AND SHOULD NOT BE USED WITHOUT WRITTEN PERMISSION

DIMENSION UNITS	SCALE	CURRENT REV DESC:	molex		
INCH/MM	NTS				
GENERAL TOLERANCES (UNLESS SPECIFIED)			TNC JACK RA PCB TH 50 OHM TNC-J/PCB		
ANGULAR TOL	± 2.0°	EC NO: 636691	PRODUCT CUSTOMER DRAWING		
4 PLACES	±	DRWN: RYEH 2020/04/23	DOCUMENT NUMBER		
3 PLACES	±	CHK'D: YCHENG 2020/04/30	SD-73100-0135		
2 PLACES	±	APPR: YCHENG 2020/04/30	DOC TYPE		
1 PLACE	±	INITIAL REVISION:	PSD		
0 PLACES	±	DRWN: AROBERTSON 2011/03/31	DOC PART		
DRAFT WHERE APPLICABLE MUST REMAIN WITHIN DIMENSIONS			001		
THIRD ANGLE PROJECTION			A3		
DRAWING			SHEET NUMBER		
C-SIZE			1 OF 1		
SERIES			MATERIAL NUMBER		
73100			SEE TABLE		
CUSTOMER			GENERAL MARKET		

MATERIALS AND FINISHES

BODY, CAP: ZINC ALLOY
PLATED NICKEL

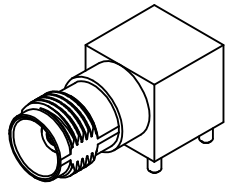
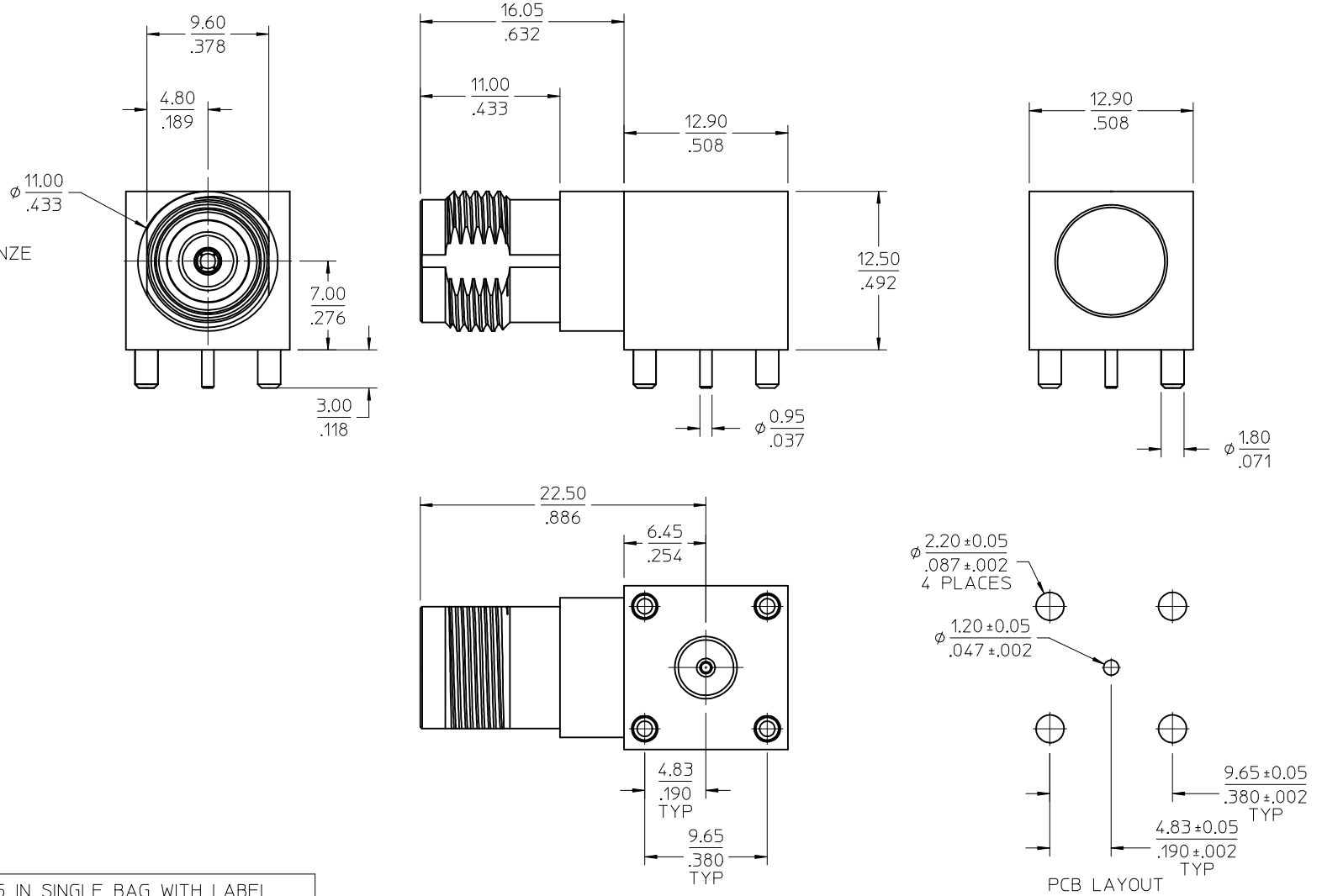
RING: BRASS
PLATED NICKEL

LEGS: BRASS
PLATED TIN

CONTACT FRONT: PHOSPHOR BRONZE
PLATED GOLD

CONTACT REAR: BRASS
PLATED GOLD

INSULATORS: TEFLON



73216-2710	1 PIECE 73100-0135 IN SINGLE BAG WITH LABEL
73100-0135	STANDARD
PART NO.	PACKAGING

PS-89675-1400	PRODUCT SPECIFICATION
MIL-STD-348A, FIG. 313.2	INTERFACE
SPECIFICATION	DESCRIPTION

A	CHG: CAP MATERIAL WAS BRASS.	EC NO: URF2015-0552	DRWN: AROBERTSON 2015/04/07	CHKD: SSS 2015/04/07	APPR: AROBERTSON 2015/04/10	DESCRIPTION
	A1	REV				

QUALITY SYMBOLS	GENERAL TOLERANCES (UNLESS SPECIFIED)
▽=0	mm INCH
▽=0	4 PLACES ± --- ± ---
	3 PLACES ± --- ± ---
	2 PLACES ± --- ± ---
	1 PLACE ± --- ± ---
	ANGULAR ± 2 °

DRAWN BY	DATE	TITLE
AROBERTSON	2011/04/01	TNC JACK RA
CHECKED BY	DATE	PCB TH 50 OHM
SSS	2011/04/01	TNC-J/PCB, EWR-4676
APPROVED BY	DATE	
JWIENER	2011/04/04	
MATERIAL NO.	DOCUMENT NO.	SHEET NO.
SEE TABLE	SD-73216-271	1 OF 1

DIMENSION STYLE	SCALE	DESIGN UNITS	THIRD ANGLE PROJECTION
MM/IN		METRIC	
DRAFT WHERE APPLICABLE MUST REMAIN WITHIN DIMENSIONS			
THIS DRAWING CONTAINS INFORMATION THAT IS PROPRIETARY TO MOLEX INCORPORATED AND SHOULD NOT BE USED WITHOUT WRITTEN PERMISSION			

MATERIALS AND FINISHES

BODY, CAP: ZINC ALLOY
PLATED NICKEL

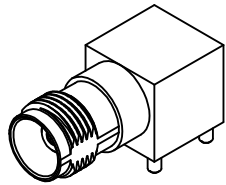
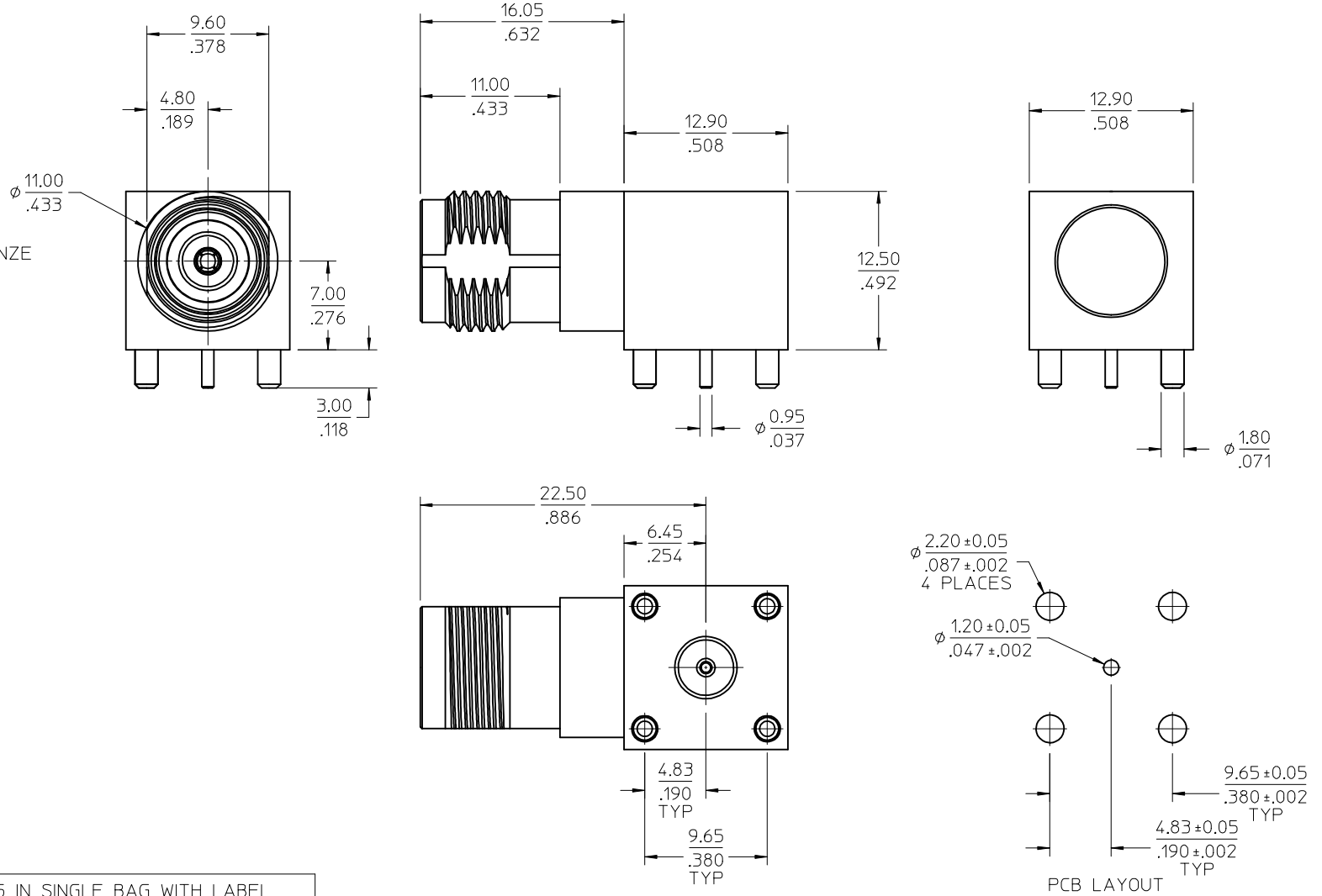
RING: BRASS
PLATED NICKEL

LEGS: BRASS
PLATED TIN

CONTACT FRONT: PHOSPHOR BRONZE
PLATED GOLD

CONTACT REAR: BRASS
PLATED GOLD

INSULATORS: TEFLON



73216-2710	1 PIECE 73100-0135 IN SINGLE BAG WITH LABEL
73100-0135	STANDARD
PART NO.	PACKAGING

PS-89675-1400	PRODUCT SPECIFICATION
MIL-STD-348A, FIG. 313.2	INTERFACE
SPECIFICATION	DESCRIPTION

CHG: CAP MATERIAL WAS BRASS.	EC NO: URF2015-0552	DRWN: AROBERTSON 2015/04/07	CHKD: SSS 2015/04/07	APPR: AROBERTSON 2015/04/10
REV	A1	DESCRIPTION		

QUALITY SYMBOLS	GENERAL TOLERANCES (UNLESS SPECIFIED)
▽=0	mm INCH
▽=0	4 PLACES ± --- ± ---
	3 PLACES ± --- ± ---
	2 PLACES ± --- ± ---
	1 PLACE ± --- ± ---
	ANGULAR ± 2 °

DRAWN BY	DATE	TITLE
AROBERTSON	2011/04/01	TNC JACK RA PCB TH 50 OHM TNC-J/PCB, EWR-4676
CHECKED BY	DATE	
SSS	2011/04/01	
APPROVED BY	DATE	
JWIENER	2011/04/04	
MATERIAL NO.	DOCUMENT NO.	SHEET NO.
SEE TABLE	SD-73216-271	1 OF 1

DIMENSION STYLE	SCALE	DESIGN UNITS	THIRD ANGLE PROJECTION
MM/IN		METRIC	
MOLEX INCORPORATED			
THIS DRAWING CONTAINS INFORMATION THAT IS PROPRIETARY TO MOLEX INCORPORATED AND SHOULD NOT BE USED WITHOUT WRITTEN PERMISSION			