



# BG0702 (∅75 x 25<sup>L</sup>)



EMINEBA.COM

## General Specifications

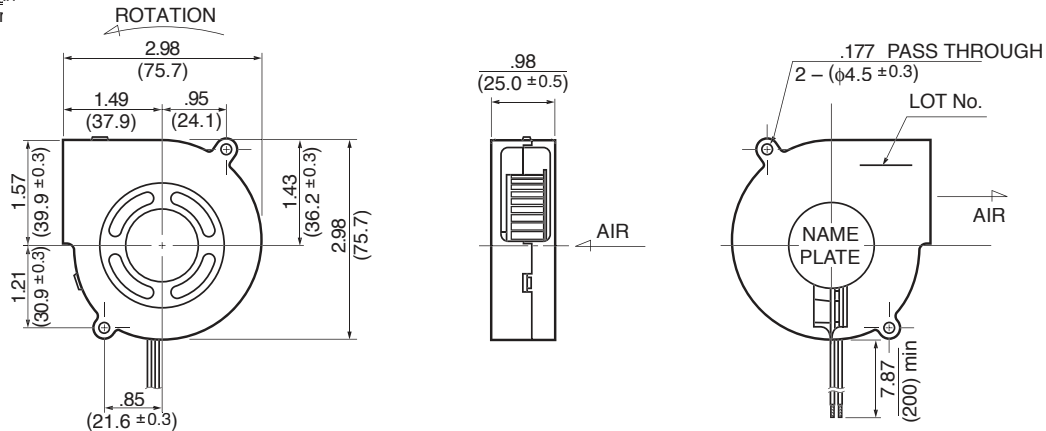
**Allowable Ambient Temperature Range:**  
 -10°C ~ +70°C (Operating)  
 -40°C ~ +70°C (Storage)  
 (non-condensing environment)

## Expected Life

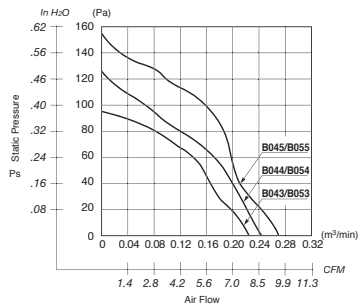
**Failure Rate: 10%**  
 25°C 70,000 Hours (00)  
 25°C 60,000 Hours (T0)

## Outline

Units:  $\frac{\text{inch}}{\text{mm}}$



## Characteristic Curves



## Material

Casing : Plastic (Black) 94V-0  
 Impeller : Plastic (Black) 94V-0  
 Bearing : Ball Bearing  
 Lead Wire : UL1007, AWG26, +Red, -Black

## Specifications

MODEL	Product No.	Rated Voltage	Operating Voltage	Current	Input Power	Speed	Max. Air Flow		Max. Static Pressure		Noise	Mass
		(V)	(V)	(A) <sup>*1</sup>	(W) <sup>*1</sup>	(min <sup>-1</sup> ) <sup>*1</sup>	CFM <sup>*1</sup>	(m <sup>3</sup> /min) <sup>*1</sup>	in H <sub>2</sub> O	(Pa) <sup>*1</sup>	(dB) <sup>*1</sup>	(g)
BG0702-B043-000-	X0	12	6 ~ 13.8	0.16	1.92	3000	7.76	0.22	.37	94	39.0	90
BG0702-B044-000-	X0	12	6 ~ 13.8	0.19	2.28	3300	8.47	0.24	.50	124	41.0	90
BG0702-B045-000-	X0	12	6 ~ 13.8	0.25	3.00	3600	9.50	0.27	.61	153	43.0	90
BG0702-B053-000-	X0	24	10 ~ 27.6	0.10	2.40	3000	7.76	0.22	.37	94	39.0	90
BG0702-B054-000-	X0	24	10 ~ 27.6	0.11	2.64	3300	8.47	0.24	.50	124	41.0	90
BG0702-B055-000-	X0	24	10 ~ 27.6	0.14	3.36	3600	9.50	0.27	.61	153	43.0	90

Rotation: Counterclockwise

\*1: Average Values in Free Air