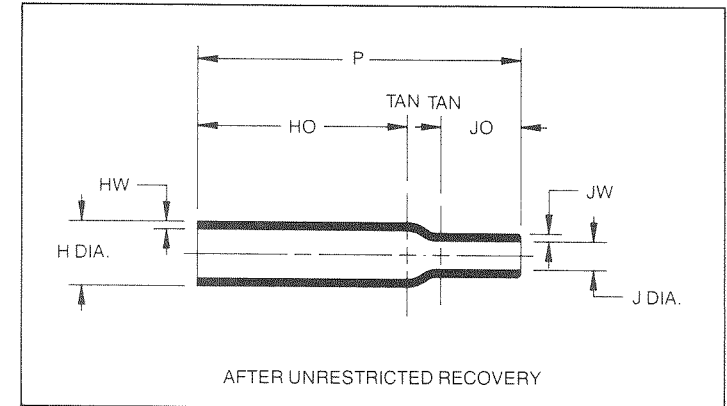
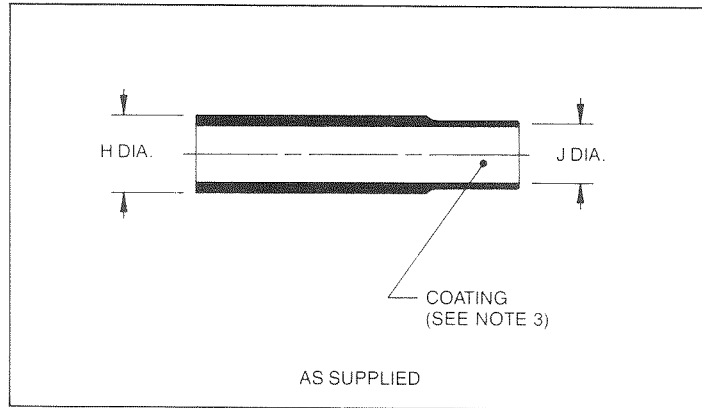


Thermofit[®] Molded Parts Specification Control Drawing

Part Number: 202E434 & 444
Description: Boot, Straight

Notes:

- All dimensions are in $\frac{\text{Inches}}{\text{[Millimeters]}}$
- Dimensions appearing in table are as follows:
a - as supplied
b - after unrestricted recovery
- Coating is optional. As supplied dimensions appearing in table are for uncoated parts. When coating is added, entry diameters will be reduced by .06 max.



Part Number	H		J		P ± 10% b	HO ± 10% b	JO ± 10% b	HW ± 25% b	JW ± 25% b
	Min a	Max b	Min a	Max b					
202E434	.50 [12.7]	.58 [14.7]	.44 [11.2]	.24 [6.1]	2.35 [59.7]	1.45 [36.8]	.64 [16.3]	.065 [1.65]	.065 [1.65]
202E444	.87 [22.1]	1.01 [25.7]	.44 [11.2]	.24 [6.1]	2.07 [52.6]	1.06 [26.9]	.65 [16.5]	.095 [2.41]	.065 [1.65]

Raychem

Raychem Corporation
300 Constitution Drive
Menlo Park, California 94025
415) 361 6055

Revision: **None**
Date: **10-30-84**

Part Number: 202E434 & 444
Description: Boot, Straight

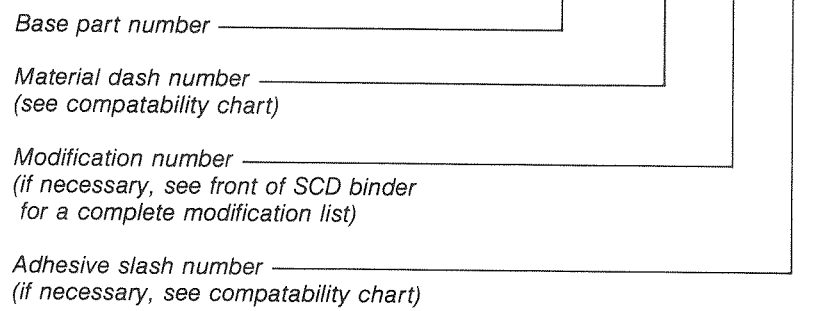
Thermofit[®] Molded Parts Specification Control Drawing

Part Number: 202E434 & 444
Description: Boot, Straight

Compatibility Chart					
Material Dash No.	Material Description	RT Spec	Coating Slash No.	Coating S No.	Coating Description
- 50	VPB, Flexible	RT-1313			
- 51	EPB, Flexible	RT-1321	/164	S-1124	Adhesive

Ordering Information:

202E4XX — XX — XX / XXX



This drawing is subject to change without notice; consult your nearest field representative for current revision.

Raychem
Raychem Corporation
300 Constitution Drive
Menlo Park, California 94025
415) 361 6055

Revision: **None**
Date: **10-30-84**

Part Number: 202E434 & 444
Description: Boot, Straight