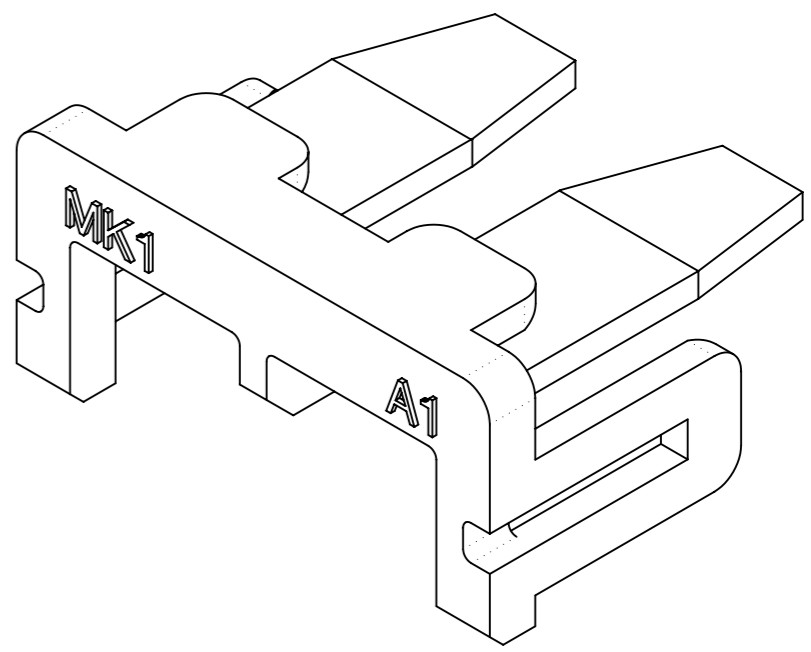
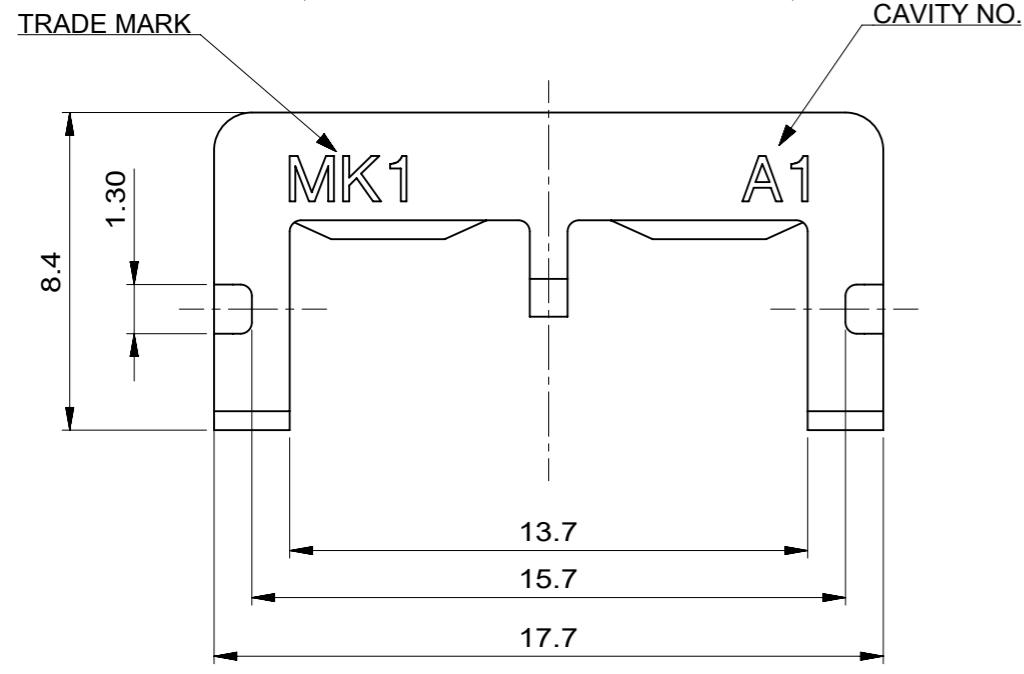
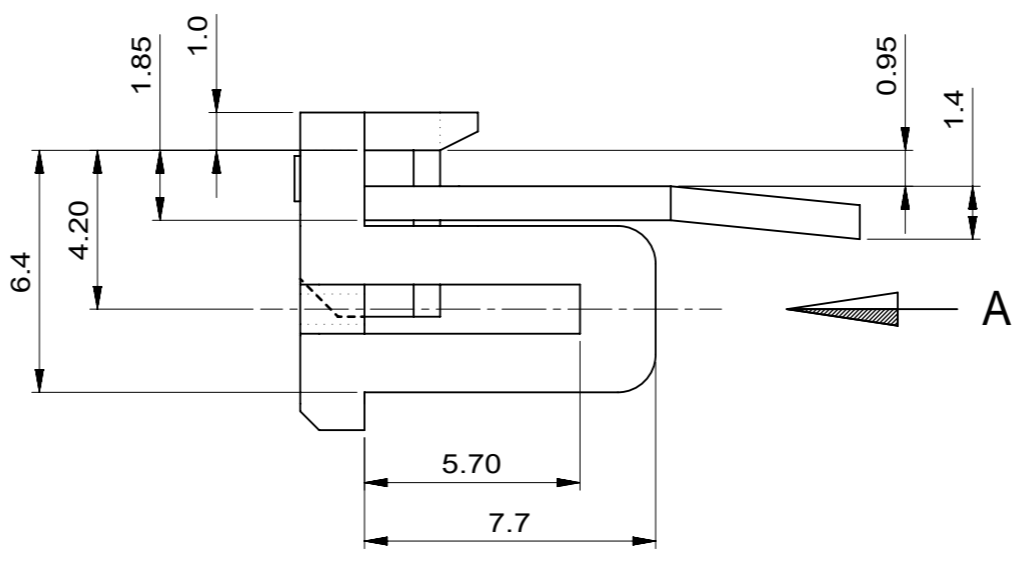


VIEW A



ISOMETRIC VIEW



- NOTE
- (A1) 1. MATERIAL : Unfilled POLYAMIDE66, UL94 V-2
COLOR : SEE TABLE
 - 2. APPLICABLE HOUSING : 35965-02/92**
 - 3. FLASH : 0.3mm MAX.

TABLE

MATERIAL NO.	ORDER NO.	COLOR
1040810280	104081-0280	NATURAL
1040810282	104081-0282	RED
1040810283	104081-0283	YELLOW
1040810284	104081-0284	BLUE

DIMENSION UNITS: mm SCALE: 1:1		CURRENT REV DESC:			
GENERAL TOLERANCES (UNLESS SPECIFIED) ANGULAR TOL ± 1.0°		EC NO: 687380 DRWN: JDPARK01 2021/06/18 CHK'D: JBJIN 2021/12/02 APPR: JBJIN 2021/12/02			
4 PLACES ± 3 PLACES ± 2 PLACES ± 0.2 1 PLACE ± 0.3 0 PLACES ±		INITIAL REVISION: DRWN: HTSONG 2010/08/05 APPR: YUNSIKKIM 2010/08/06		PRODUCT CUSTOMER DRAWING	
DRAFT WHERE APPLICABLE MUST REMAIN WITHIN DIMENSIONS		THIRD ANGLE PROJECTION		DOCUMENT NUMBER: SD-104081-001 DOC TYPE: PSD DOC PART: 001 REVISION: B	
		DRAWING: A3-SIZE SERIES: 104081		MATERIAL NUMBER: GENERAL MARKET CUSTOMER: GENERAL MARKET SHEET NUMBER: 1 OF 1	