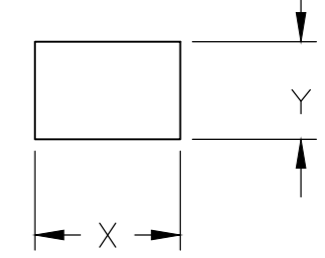


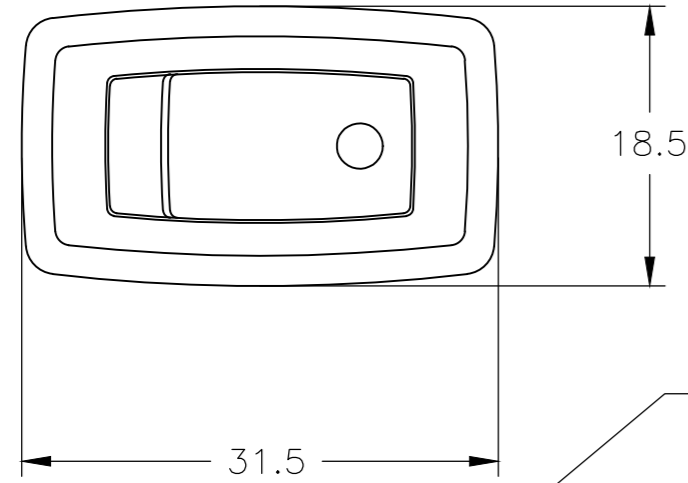
THIS DRAWING IS UNPUBLISHED. RELEASED FOR PUBLICATION
 © COPYRIGHT - TE Connectivity Ltd. ALL RIGHTS RESERVED.

REVISIONS					
P	LTR	DESCRIPTION	DATE	DWN	APVD
D		REVISED PER ECO-18-017612	28NOV2018	RSM	PO

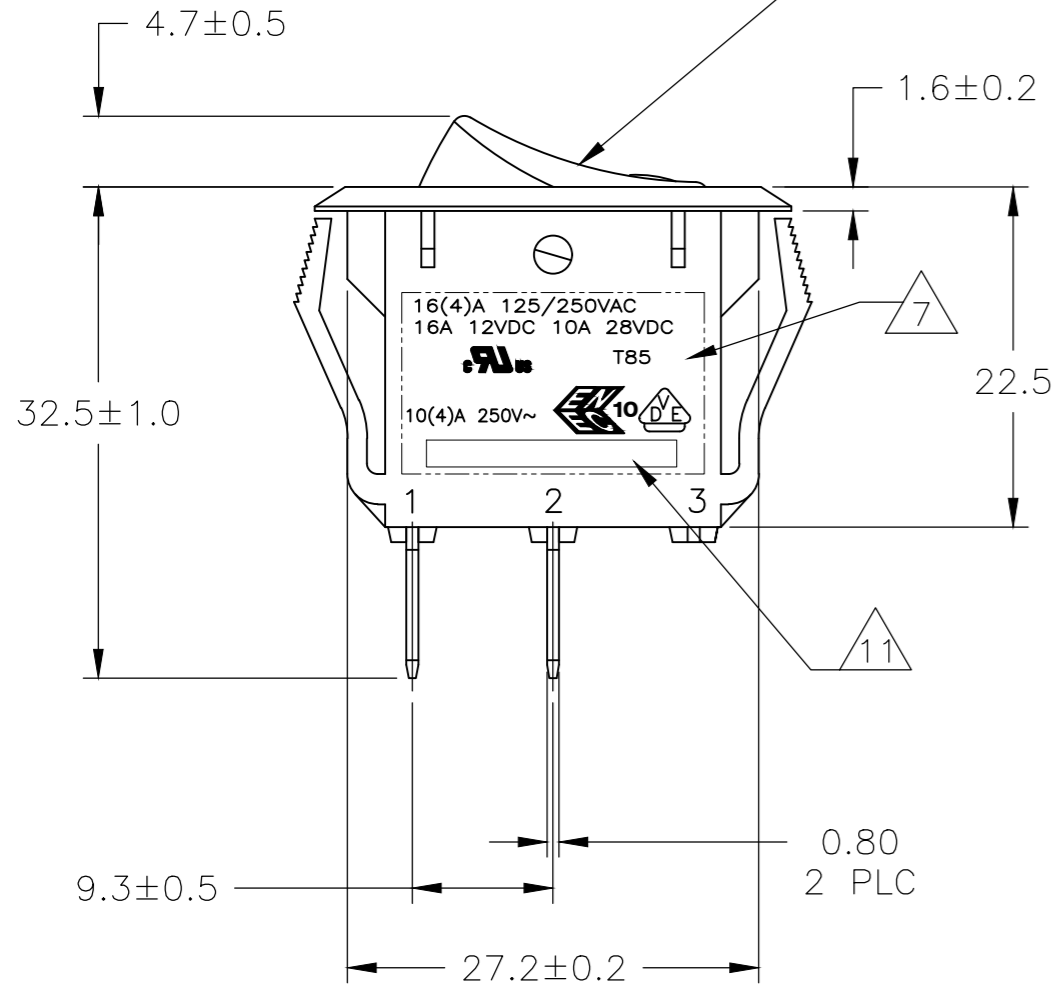
PANEL CUT OUT



4.00-5.00	28.0-0.1	13.8+0.1
3.00-4.00	27.8-0.1	13.8+0.1
0.75-3.00	27.6-0.1	13.8+0.1
PANEL THICKNESS	X	Y

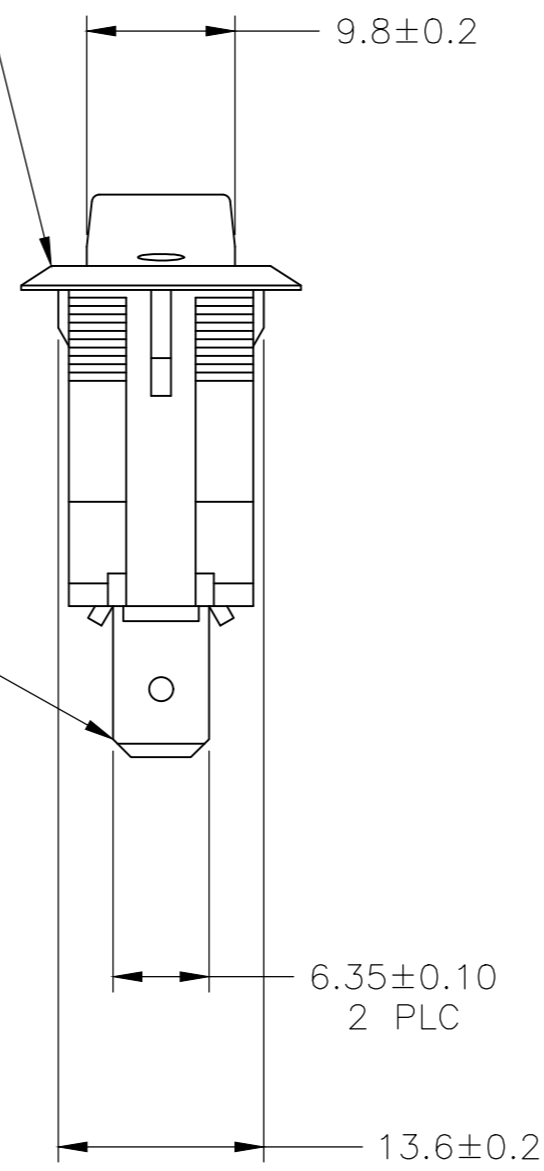


ROCKER BUTTON



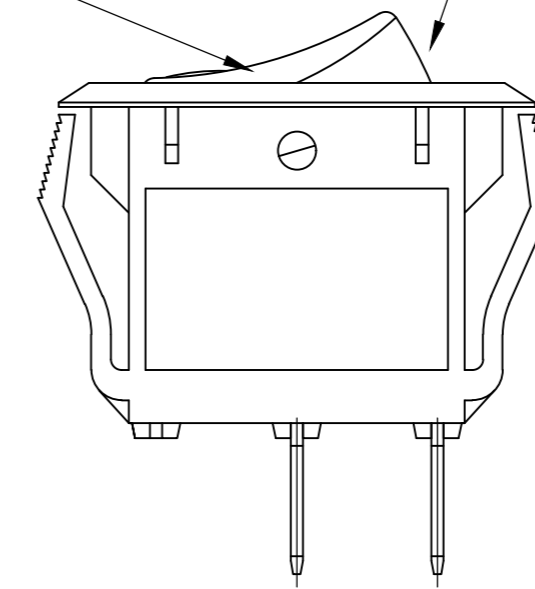
SWITCH FRAME

QC TAB TERMINAL

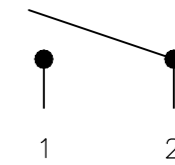


SECONDARY ROCKER COLOR (RED)

PRIMARY ROCKER COLOR (BLACK)



SWITCH FUNCTION A2
CIRCUIT DIAGRAM

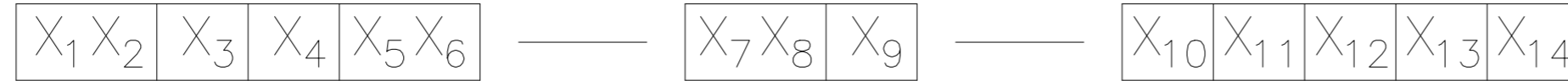


THIS DRAWING IS A CONTROLLED DOCUMENT.		DWN M.BINNER 25FEB2002	TE Connectivity Ltd.		
DIMENSIONS: mm		CHK J.MOSIER			
TOLERANCES UNLESS OTHERWISE SPECIFIED:		APVD -	NAME		
0 PLC ± - 1 PLC ± 0.30 2 PLC ± 0.05 3 PLC ± - 4 PLC ± - ANGLES ± -		PRODUCT SPEC NOT APPLICABLE	PWR ROCKER SW, 13.8mm X 27.6mm, SPST,2 COLOR ROCKER, NON-IL		
MATERIAL		APPLICATION SPEC NOT APPLICABLE	SIZE A2	CAGE CODE 00779	DRAWING NO C=1571131
FINISH		WEIGHT	RESTRICTED TO		
CUSTOMER DRAWING		SCALE 2:1	SHEET 1 of 2	REV D	

THIS DRAWING IS UNPUBLISHED. RELEASED FOR PUBLICATION
 © COPYRIGHT - TE Connectivity Ltd. ALL RIGHTS RESERVED.

REVISIONS				
P	LTR	DESCRIPTION	DATE	APVD
-	-	SEE SHEET 1	-	-

LEGACY PART NUMBER



SWITCH TYPE: X1 X2 = PR - POWER ROCKER

NOMINAL PANEL CUT OUT SIZE: X3 = B - 13.8x27.6

NUMBER OF POLES: X4 = S - SINGLE

SWITCH FUNCTION: X5 X6 = A2 - ON-OFF, WITH OPAQUE, DUAL-COLOR ROCKER BUTTON.

CURRENT RATING: X7 X8 = 16 - 6

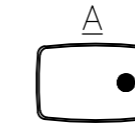
TERMINAL TYPE: X9 = E - QC TAB
L - SOLDER LUG

FRAME COLOR: X10 = B - BLACK
W - WHITE

PRIMARY ROCKER COLOR: X11 = B - BLACK
G - GREEN
R - RED
W - WHITE

SECONDARY ROCKER COLOR: X12 = B - BLACK
G - GREEN
R - RED
W - WHITE

LEGEND TEXT PATTERN: X13 =



LEGEND TEXT COLOR: X14 = Ø - B - BLACK
G - GREEN
R - RED
W - WHITE



MATERIALS:
 ROCKER BUTTON & HOUSING: NYLON 66, UL 94 V-2.
 TERMINAL, ACTIVE CONTACTOR: COPPER ALLOY PER ASTM B152/B152M
 PLUNGER: COPPER ALLOY PER ASTM B036
 SPRING: STEEL WIRE PER ASTM A228/A228M
 CONTACT: SILVER-TIN OXIDE



FINISH:
 TERMINAL, ACTIVE CONTACTOR: 1.0µm MIN SILVER
 PLUNGER: 3.0µm MIN NICKEL

3.

ELECTRICAL SPECIFICATIONS:
 CURRENT & VOLTAGE 6
 CONTACT RESISTANCE (INITIAL): <50mΩ
 DIELECTRIC STRENGTH (INITIAL): >1000 VAC, 1 MINUTE
 INSULATION RESISTANCE (INITIAL): >100MΩ MIN (500VDC BETWEEN OPEN CONTACTS)
 INRUSH CURRENT: 50A / 3msec (CAPACITIVE LOAD)
 ELECTRICAL LIFE ENDURANCE: >6000 OPERATIONS,
 TEMPERATURE RISE AT TERMINALS: <30°C, 6000 OPERATIONS
 (AMBIENT CONDITIONS: 25±2°C AND 65±5%RH)



UL: 16A@125VAC 1/3HP / 10A@125VAC 1/2HP
 ENEC: 10(4)A 250V~



ELECTRICAL RATINGS, APPROVED AGENCY LOGOS, TERMINAL IDENTIFICATION NUMBERS, MOLDED APPROXIMATELY AS SHOWN ON THE SIDES OF THE SWITCH HOUSING.

8.

COMPONENT-RECOGNIZED TO US & CANADIAN STANDARDS
 UL FILE NO.E46765

9.

COMPONENT-RECOGNIZED TO EUROPEAN STANDARDS
 (ENEC & VDE) MARKS LICENSE NO 40020315

10.

ROHS 2002/95/EC COMPLIANT



TE CONNECTIVITY LOGO LOCATED APPROXIMATELY AS SHOWN

4.

MECHANICAL SPECIFICATIONS:
 ACTUATING FORCE: 300g MIN, 500g MAX
 OPERATING LIFE ENDURANCE: >100,000 OPERATIONS
 TERMINAL STRENGTH: >10.0kg- QC TAB

PRBSA2-16F-BBRAR	5-1571131-1
LEGACY PART NUMBER	TYCO PART NUMBER

THIS DRAWING IS A CONTROLLED DOCUMENT.		DWN M.BINNER	25FEB2002	TE Connectivity Ltd.	
DIMENSIONS: mm		CHK J.MOSIER	APVD -		
TOLERANCES UNLESS OTHERWISE SPECIFIED:		PRODUCT SPEC		PWR ROCKER SW, 13.8mm X 27.6mm, SPST,2 COLOR ROCKER, NON-IL	
0 PLC ± -		NOT APPLICABLE		APVD	
1 PLC ± 0.30		APPLICATION SPEC		SIZE CAGE CODE DRAWING NO RESTRICTED TO	
2 PLC ± 0.05		NOT APPLICABLE		A2 00779 C-1571131	
3 PLC ± -		WEIGHT		SCALE 1:1 SHEET 2 OF 2 REV D	
4 PLC ± -		CUSTOMER DRAWING			
ANGLES ± -					
FINISH					