

REV. Status

REVISION -
03/24/92 HA

REVISION A
REV DIMS
16.7(0.66)MAX
-WAS-
16.8(0.66)MAX
41.9(1.65)MAX
-WAS-
42.0(1.65)MAX
19.05±0.5
(0.75±0.02)
-WAS-
6.35±0.5
(0.25±0.02)
TEMECULA
WAS CARSON
04/26/96 TS

REVISION B
REV'D POLARITY
ON SCHEMATIC
12/19/96 TS

FCC68 LOW PROFILE HIGH PERFORMANCE 1.44 HOLDING COIL TRANSFORMER

A. Electrical Specifications (@ 25 ° C)

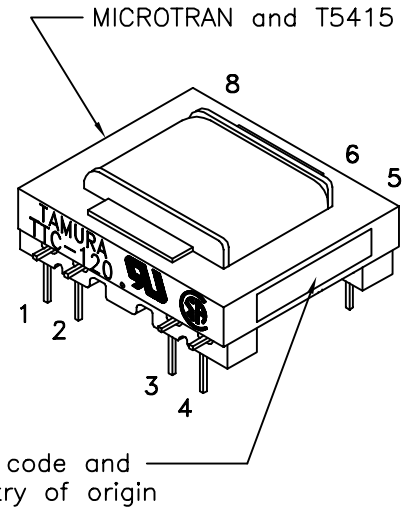
1. DC Resistance; 180Ω ±15%
2. Inductance; 1.4 Hy ±20% @ 1 KHz, 1 Vrms and 120mADC
3. Dielectric Strength;
 - 1.5 KVrms, 1 minute @ winding to core
 - 150 Vrms, 1 minute @ winding to winding



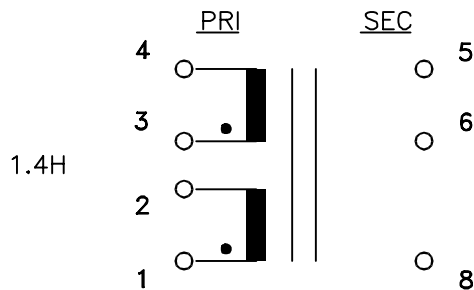
MODEL NUMBER
TTC-120

B. Marking; TTC-120, TAMURA, T5415, MICROTRAN, date code, country of origin and safety logos

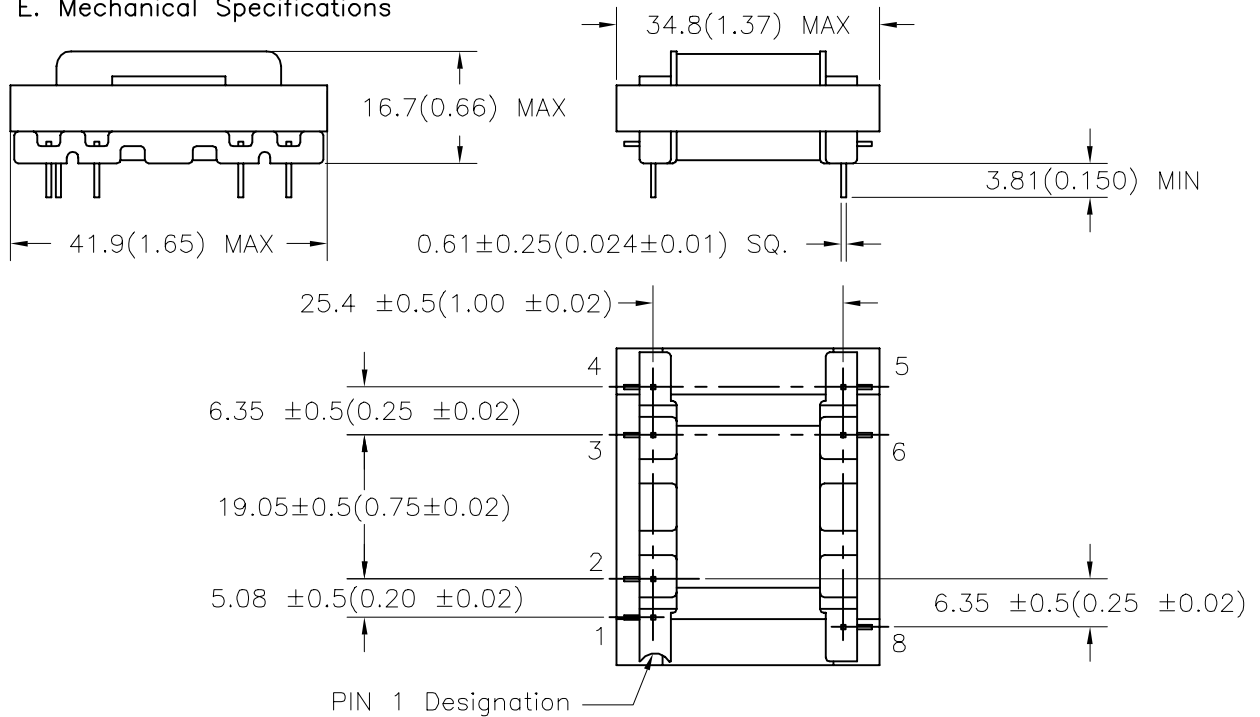
C. Safety; CSA C22.2 No. 66-M1988 File No. LR81383
UL 1863 File No. E142035



D. Schematic Diagram



E. Mechanical Specifications



PREPARED BY:

K. Brennan

ENGINEER:

T. Shiozawa

QUALITY CONTROL:

D. Kelley

APPROVED:

D. Kelley

DWG CONTROL NO.
P-A1-10612
ACAD\TTC\A1106121.DWG

REV
B

HOLDING COIL
TRANSFORMER

TAMURA CORPORATION OF AMERICA
43352 BUSINESS PARK DRIVE, TEMECULA, CA. 92590-6624
(909) 699-1270 FAX 9096769482

TTC-120

MODEL SPECIFICATION

DIM: mm(In) SCL: 1/1 SH: 1 OF 1

PROPRIETARY NOTICE: THIS DRAWING PRINT OR DOCUMENT AND SUBJECT MATTER DISCLOSED HEREIN ARE PROPRIETARY ITEMS TO WHICH TAMURA RETAINS THE EXCLUSIVE RIGHT OF DISSEMINATION, REPRODUCTION, MANUFACTURE AND SALE. THIS DRAWING, PRINT OR DOCUMENT IS SUBMITTED IN CONFIDENCE FOR CONSIDERATION BY THE RECIPIENT ALONE UNLESS PERMISSION FOR FURTHER DISCLOSURE IS EXPRESSLY GRANTED IN WRITING.