



AMP | Econoseal

TE Internal #: 2822346-1

Housing for Female Terminals, Wire-to-Wire, 6 Position, .188 in [4.8 mm] Centerline, Sealable, Black, Wire & Cable, Power, Econoseal

[View on TE.com >](#)

Connectors > Automotive Connectors > Automotive Housings > ECONOSEAL, CONNECTOR HOUSING



Connector & Housing Type: **Housing for Female Terminals**

Mating Tab Width: **1.8 mm [.07 in]**

Connector System: **Wire-to-Wire**

Number of Positions: **6**

Centerline (Pitch): **4.8 mm [.188 in]**

[All ECONOSEAL, CONNECTOR HOUSING \(108\)](#)

Features

Product Type Features

Connector Shape	Rectangular
Connector & Housing Type	Housing for Female Terminals
Connector System	Wire-to-Wire
Sealable	Yes
Hybrid Connector	No
Primary Locking Feature	Integrated in Housing
Connector & Contact Terminates To	Wire & Cable

Configuration Features

Number of Positions	6
Number of Rows	2

Electrical Characteristics

Operating Voltage	24 VDC
-------------------	--------

Body Features



Cable Exit Angle	180°
Primary Product Color	Black

Contact Features

Contact Size	1.8mm
Contact Type	Receptacle
Mating Tab Width	1.8 mm[.07 in]

Mechanical Attachment

Terminal Position Assurance	No
Strain Relief	Without
Mating Alignment Type	Polarization Slot
Mating Alignment	With
Connector Mounting Type	Cable Mount (Free-Hanging)

Housing Features

Housing Material	PBT
Centerline (Pitch)	4.8 mm[.188 in]

Dimensions

Connector Height	27.6 mm[1.08 in]
Product Width	29.3 mm[1.15 in]
Product Length	25.4 mm[1 in]
Row-to-Row Spacing	5.6 mm[.22 in]

Usage Conditions

Operating Temperature (Max)	105 °C[221 °F]
Operating Temperature Range	-30 – 105 °C[-22 – 221 °F]

Operation/Application

Circuit Application	Power
---------------------	-------

Industry Standards

UL Flammability Rating	UL 94V-2
------------------------	----------

Packaging Features

Packaging Quantity	1200
Packaging Method	Box

Other



Connector Position Assurance Capable	No
--------------------------------------	----

Product Compliance

[For compliance documentation, visit the product page on TE.com>](#)

EU RoHS Directive 2011/65/EU	Compliant
EU ELV Directive 2000/53/EC	Compliant
China RoHS 2 Directive MIIT Order No 32, 2016	No Restricted Materials Above Threshold
EU REACH Regulation (EC) No. 1907/2006	Current ECHA Candidate List: JUNE 2023 (235) Candidate List Declared Against: JUNE 2023 (235) Does not contain REACH SVHC
Halogen Content	Not Low Halogen - contains Br or Cl > 900 ppm.
Solder Process Capability	Not applicable for solder process capability

Product Compliance Disclaimer

This information is provided based on reasonable inquiry of our suppliers and represents our current actual knowledge based on the information they provided. This information is subject to change. The part numbers that TE has identified as EU RoHS compliant have a maximum concentration of 0.1% by weight in homogenous materials for lead, hexavalent chromium, mercury, PBB, PBDE, DBP, BBP, DEHP, DIBP, and 0.01% for cadmium, or qualify for an exemption to these limits as defined in the Annexes of Directive 2011/65/EU (RoHS2). Finished electrical and electronic equipment products will be CE marked as required by Directive 2011/65/EU. Components may not be CE marked. Additionally, the part numbers that TE has identified as EU ELV compliant have a maximum concentration of 0.1% by weight in homogenous materials for lead, hexavalent chromium, and mercury, and 0.01% for cadmium, or qualify for an exemption to these limits as defined in the Annexes of Directive 2000/53/EC (ELV). Regarding the REACH Regulation, the information TE provides on SVHC in articles for this part number is based on the latest European Chemicals Agency (ECHA) 'Guidance on requirements for substances in articles' posted at this URL: <https://echa.europa.eu/guidance-documents/guidance-on-reach>

Compatible Parts



Also in the Series | Econoseal



Automotive Connector Caps & Covers (1)



Automotive Connector Locks & Position Assurance(25)



Automotive Housings(106)



Automotive Seals & Cavity Plugs(19)



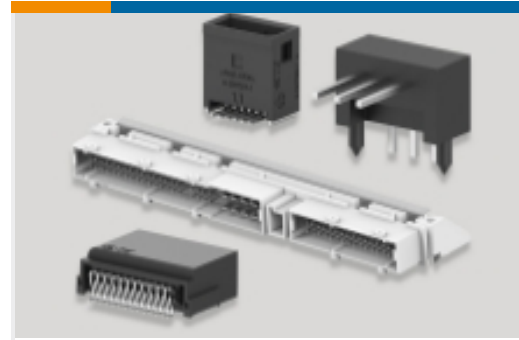
Automotive Terminals(48)



Insertion & Extraction Tools(7)



Other Automotive Connector Accessories(5)



PCB Headers & Receptacles(4)

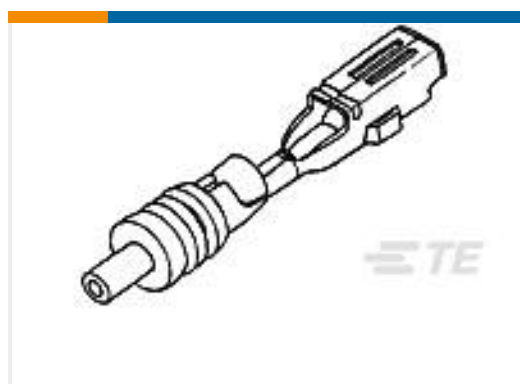


Primary Wire(1)

Customers Also Bought



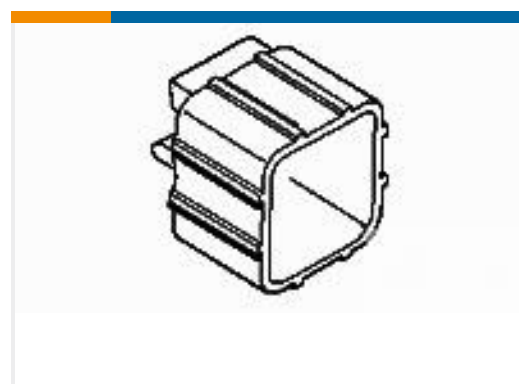
TE Part #174657-2
ECONOSEAL, CONNECTOR HOUSING



TE Part #171630-1
E-J MK-2 070 REC CONT



TE Part #1823467-8
6POS,AMP MCP1.5K,REC HSG,CODH



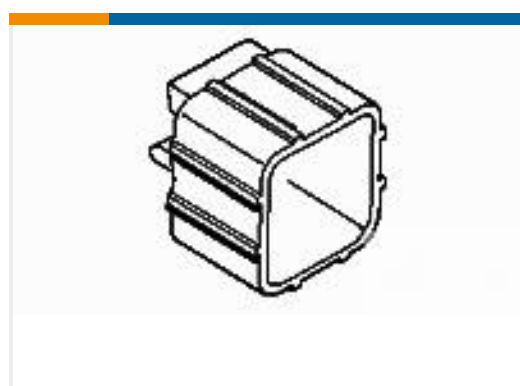
TE Part #1-174265-1
E-J MK-2 CAP HSG 6P NATURAL



TE Part #1-174263-1
E-J MK-2 PLUG HSG 6P NATURAL



TE Part #1-174656-1
E-J MK-2 PLUG HSG 10P NATURAL



TE Part #1-174260-1
ECONO-J MK-2 LOCK PLATE CAP 4P



TE Part #1-174258-1
E-J MK-2 PLUG HSG 4P NATURAL



Documents

Product Drawings

[ECONO-J MK-2 PLUG ASSY 6P](#)

Japanese

CAD Files

[3D PDF](#)

3D

Customer View Model

[ENG_CVM_CVM_2822346-1_A.2d_dxf.zip](#)

English

Customer View Model

[ENG_CVM_CVM_2822346-1_A.3d_igs.zip](#)

English

Customer View Model

[ENG_CVM_CVM_2822346-1_A.3d_stp.zip](#)

English

By downloading the CAD file I accept and agree to the [Terms and Conditions](#) of use.

Datasheets & Catalog Pages

[Econoseal Connector Series](#)

English

Product Specifications

[Product Specification](#)

English

[Product Specification](#)

Japanese

Agency Approvals

[Agency Approval Document](#)

English