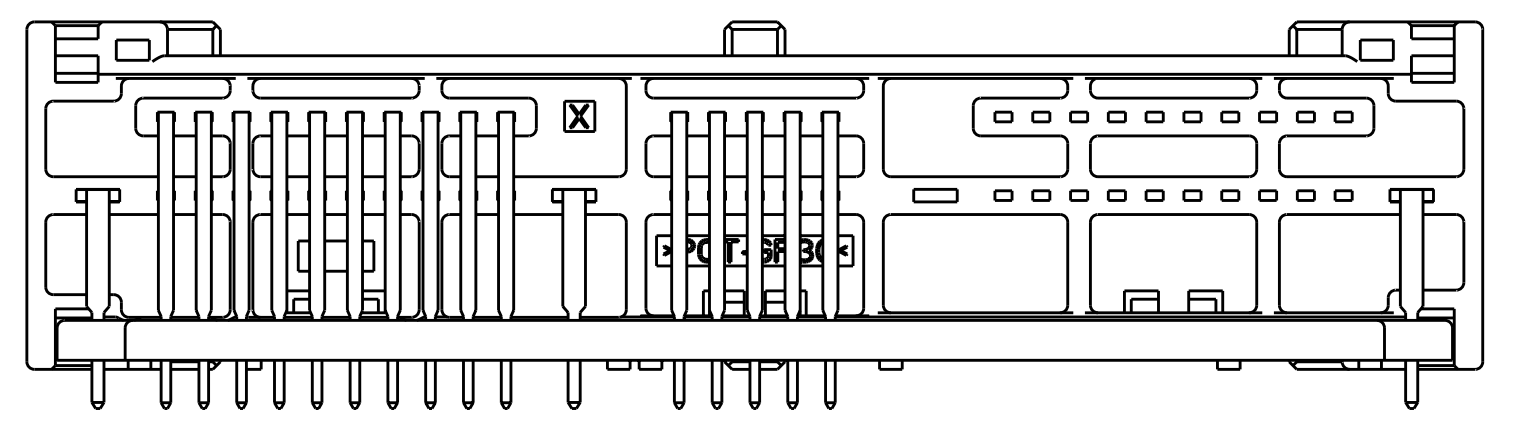
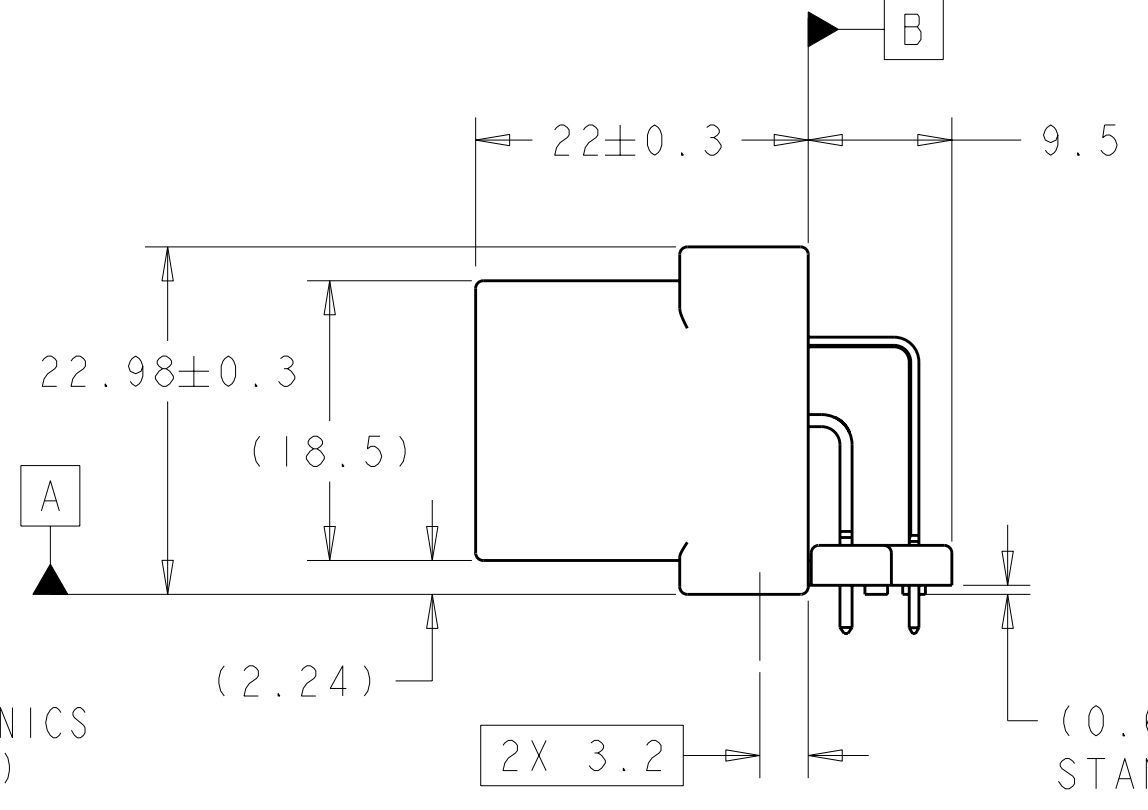
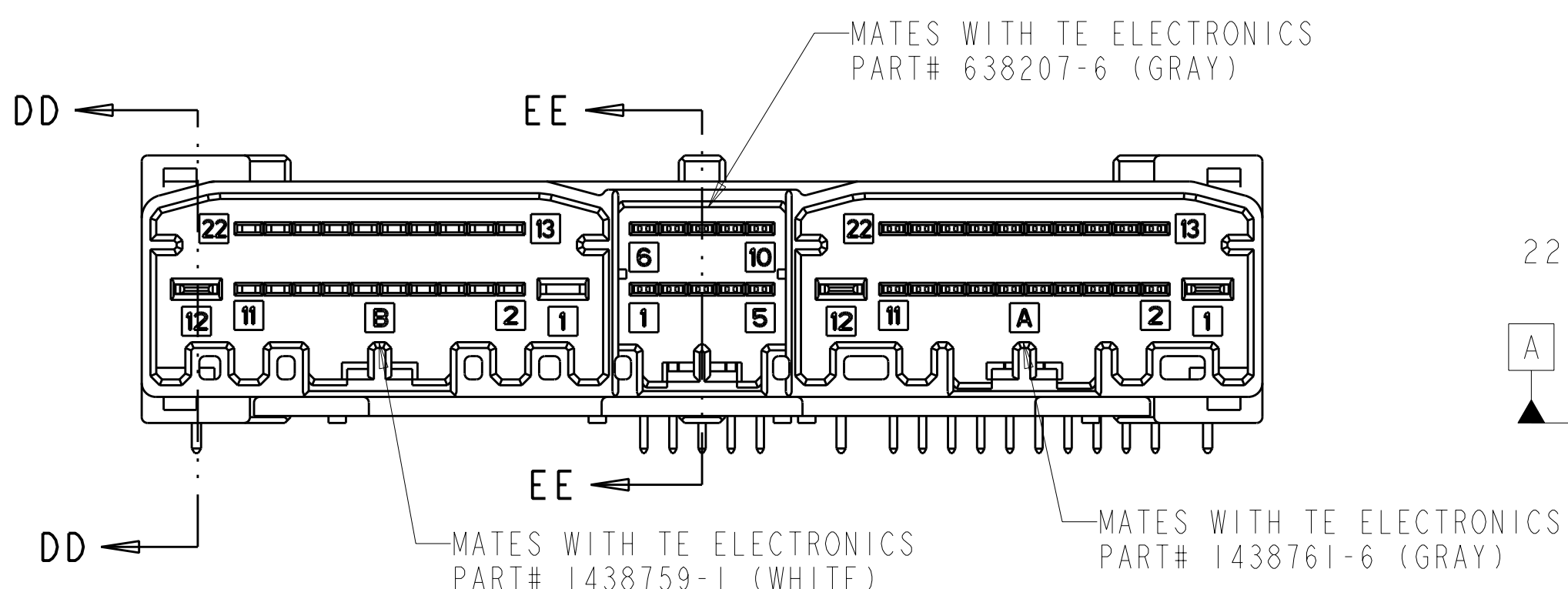
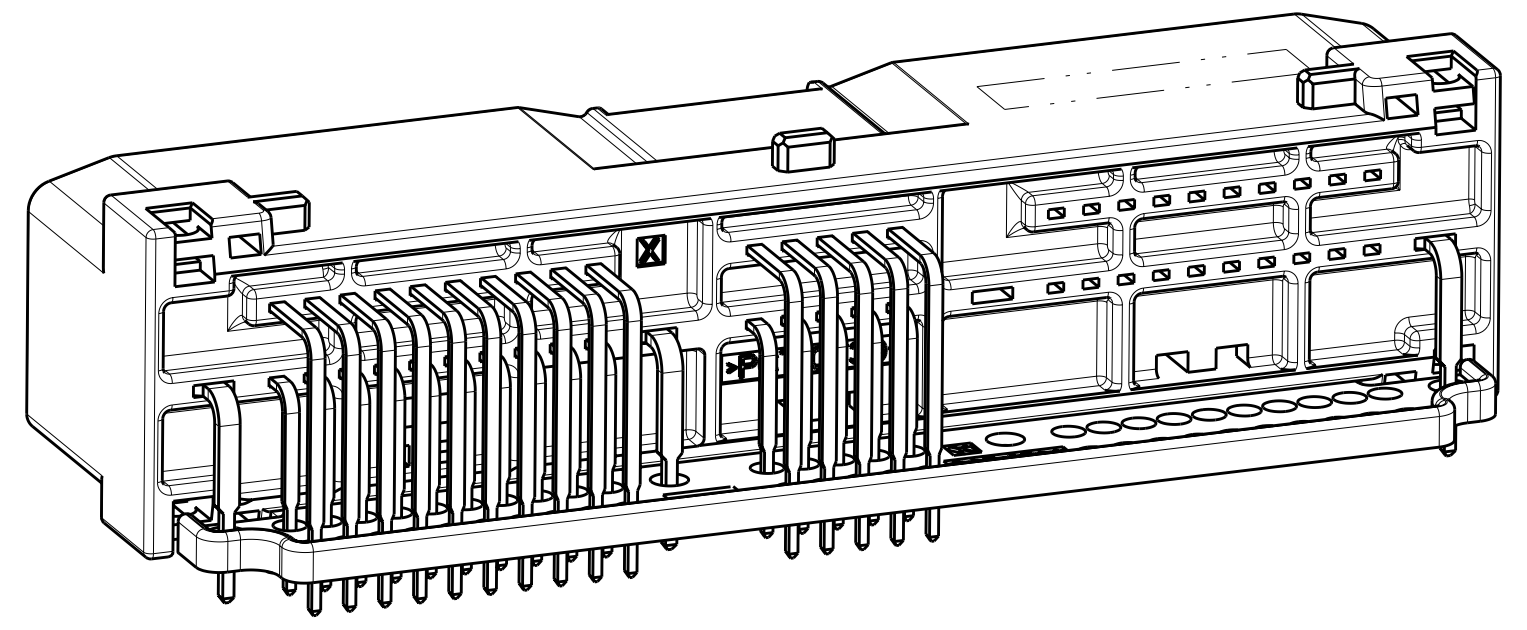
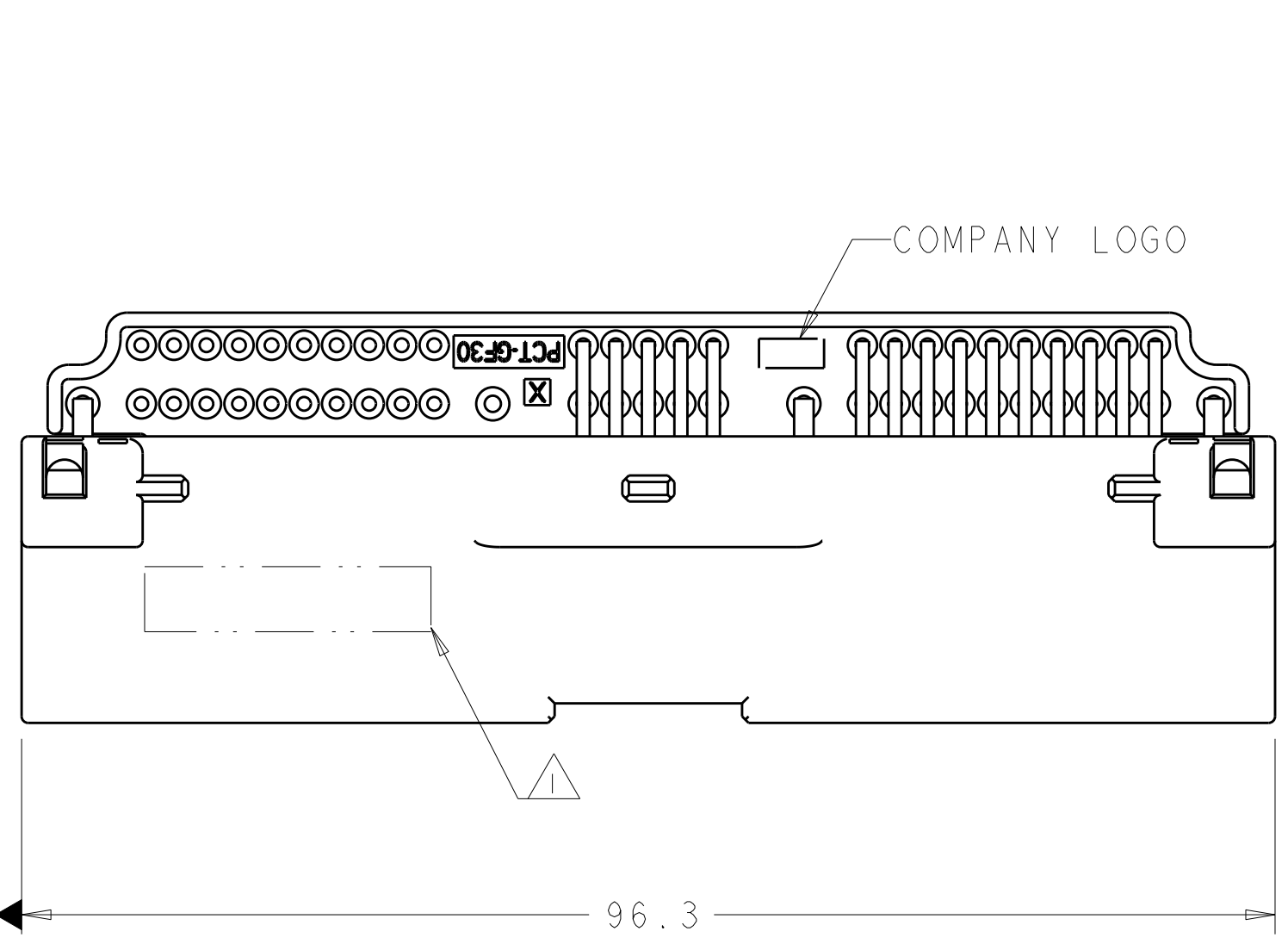
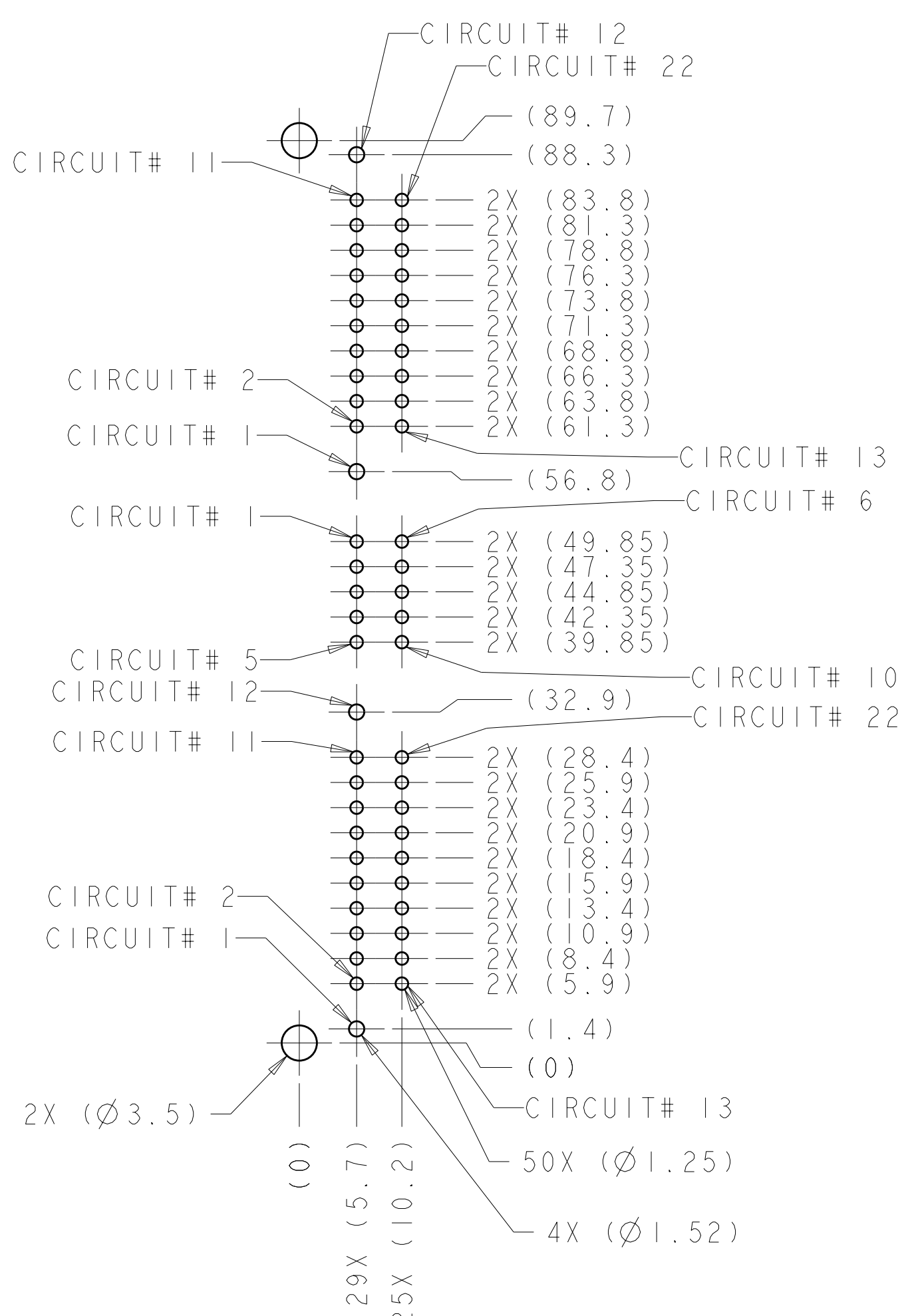
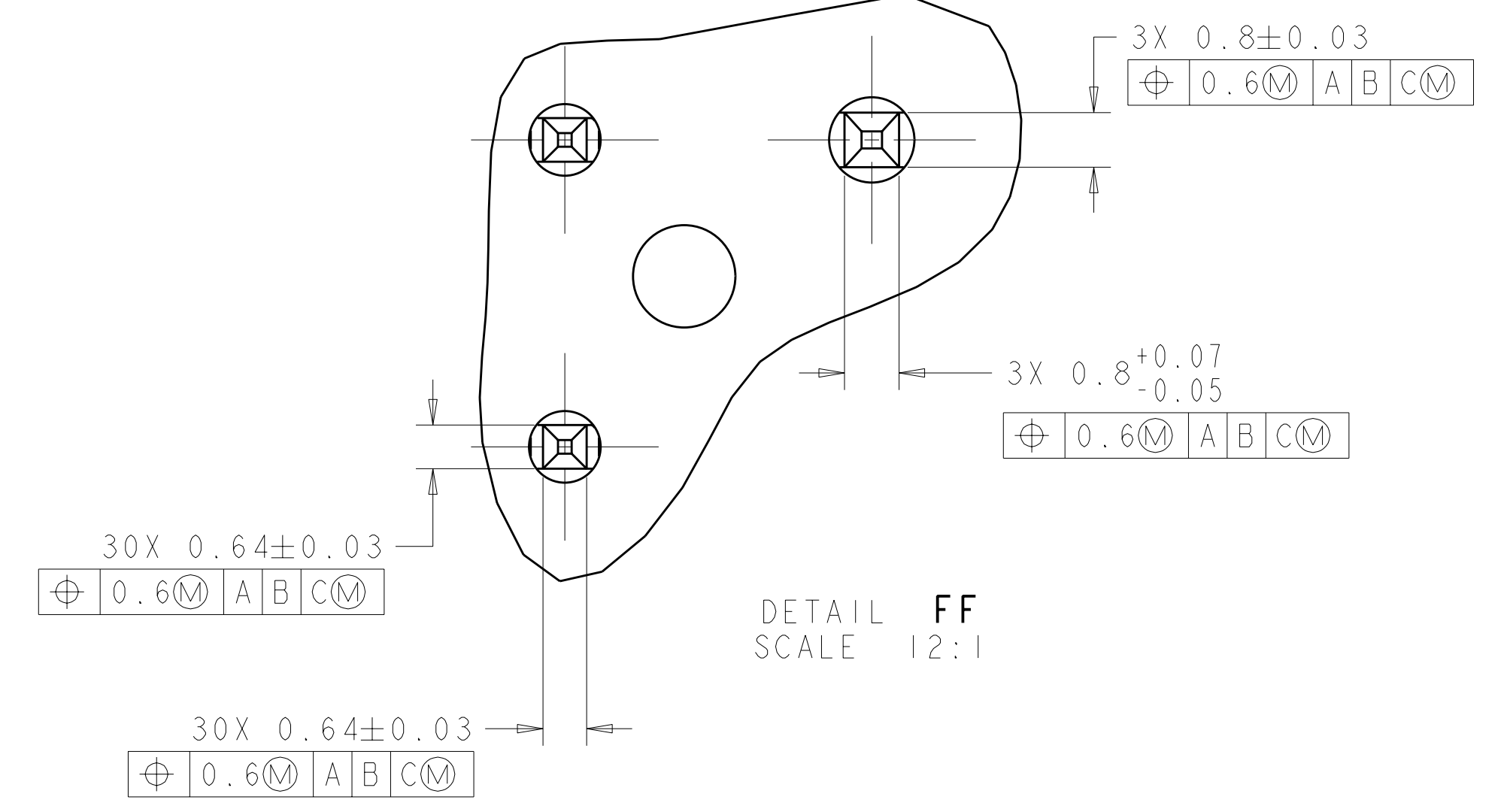
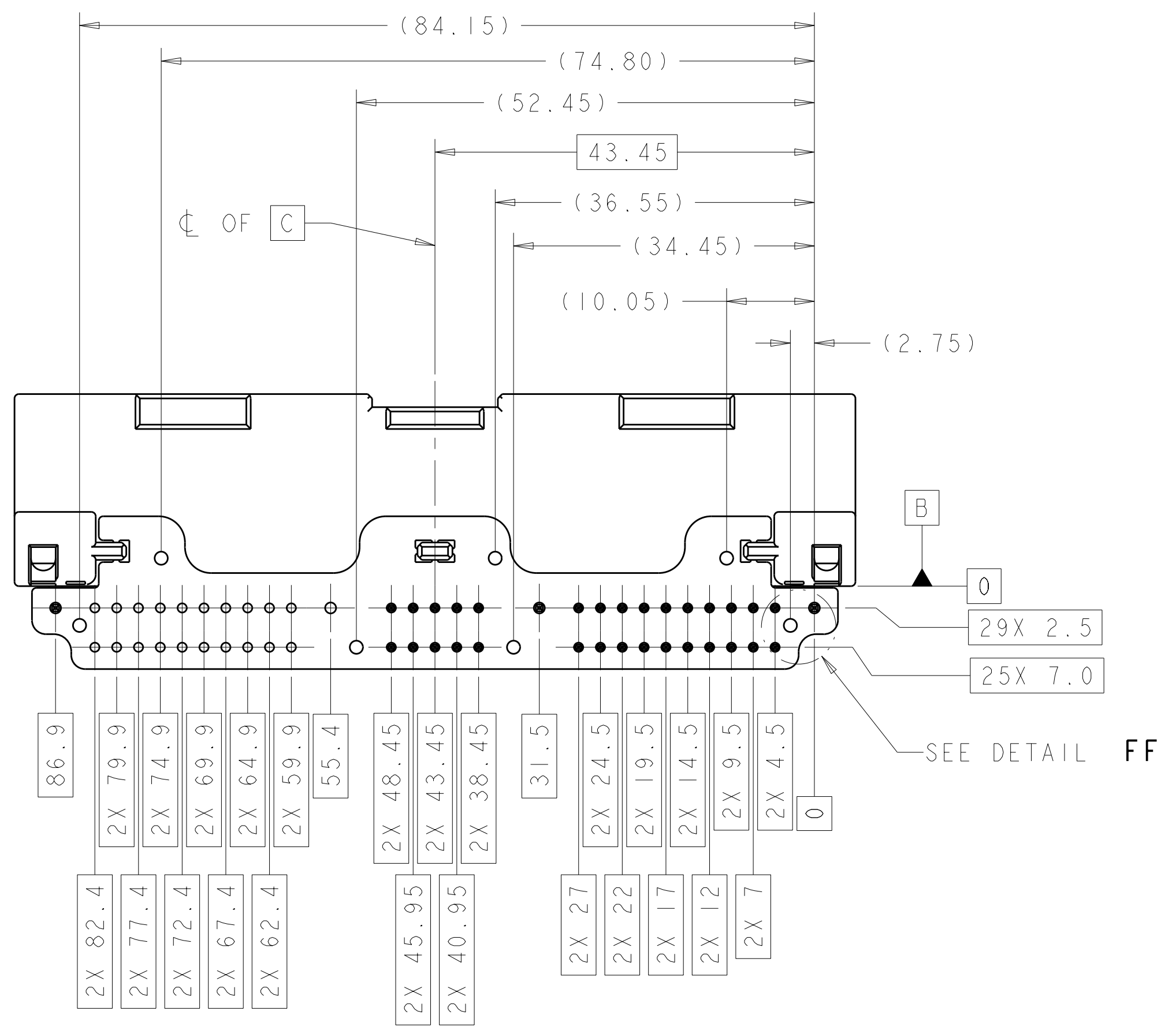
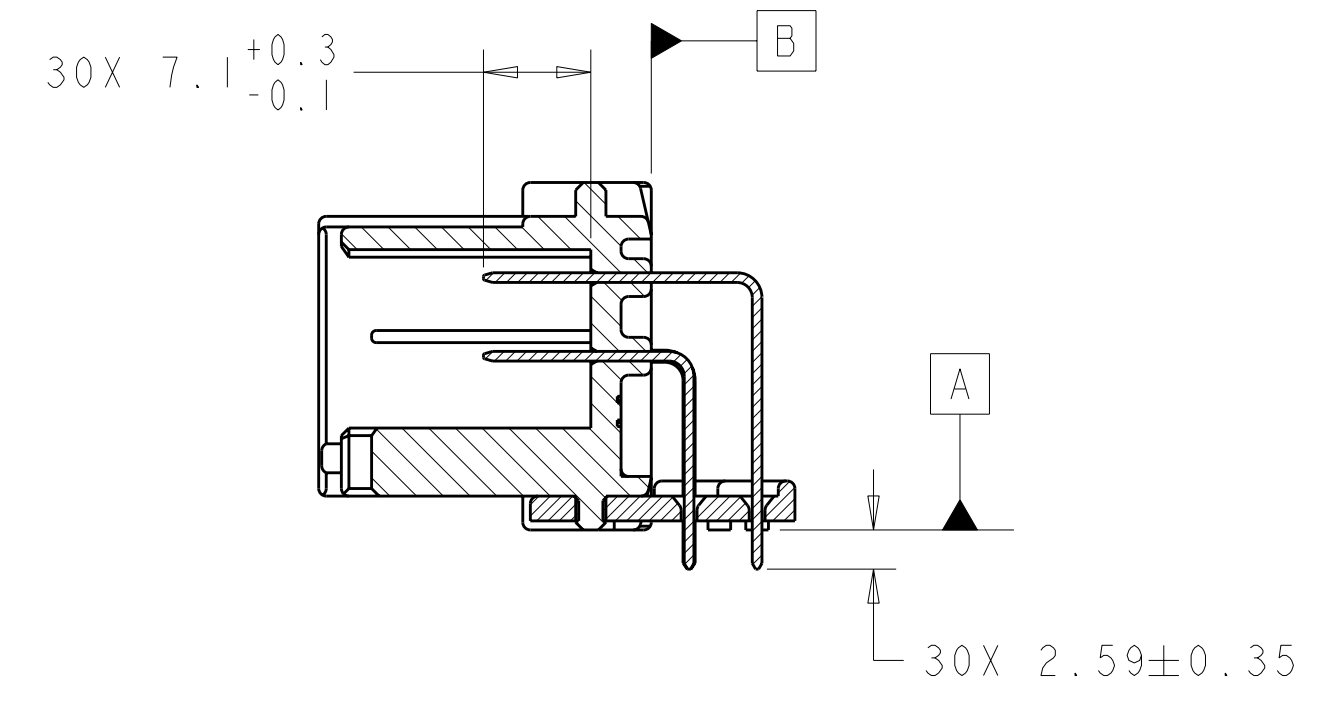
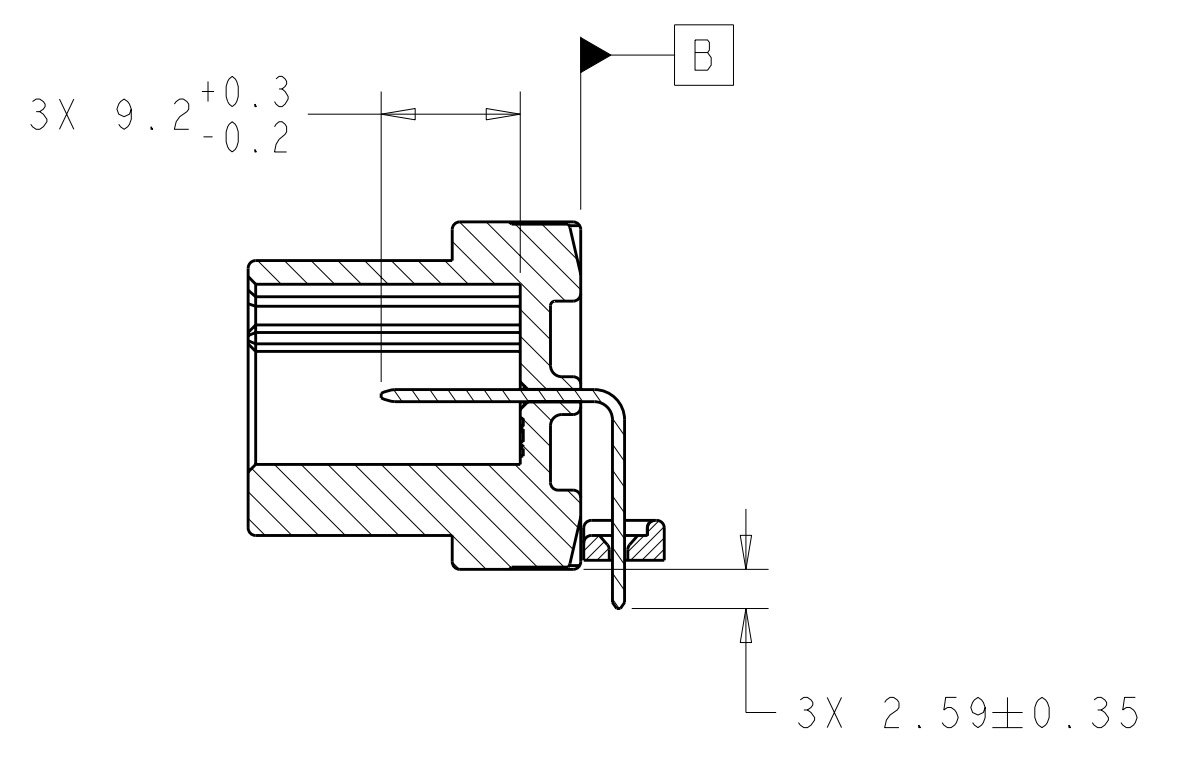


LOC	DIST	REV	DATE	DESCRIPTION	BY	APP'D
FX	00	A	17DEC2008	RELEASED PER ECO-08-030915	DLD	MHB
		A1	19JAN2009	REVISED PER ECO-09-001438	DLD	MHB
		A2	05MAR2009	REVISED PER ECO-09-005658	DLD	MHB
		A3	17JUN2010	REV PER ECR-10-012887	VSS	MB

△ MARK DATE CODE IN APPROXIMATE LOCATION.



PC BOARD LAYOUT
CONNECTOR SIDE
(RECOMMENDED BOARD THICKNESS 1.57mm)



PCT	GRAY	BRASS	POST-TIN	PCT	GRAY	9-2035371-6
MATERIAL	FINISH	MATERIAL	FINISH	MATERIAL	COLOR	PART NUMBER
TINE PLATE		CONTACT		HOUSING		
DIMENSIONS: mm		TOLERANCES UNLESS OTHERWISE SPECIFIED:		DWN DL DRUMMOND 17DEC2008		Tyco Electronics Harrisburg, PA 17105-3608
9 PLC ±0.0 1 PLC ±0.3 5 PLC ±0.10 4 PLC ±* ANGLES ±*		OTHERWISE SPECIFIED:		CBY MH BANAS 17DEC2008 APVD MH BANAS 17DEC2008 PRODUCT SPEC APPLICATION SPEC 114-13158		
MATERIAL: SEE TABLE		FINISH: SEE TABLE		WEIGHT: -		CUSTOMER DRAWING