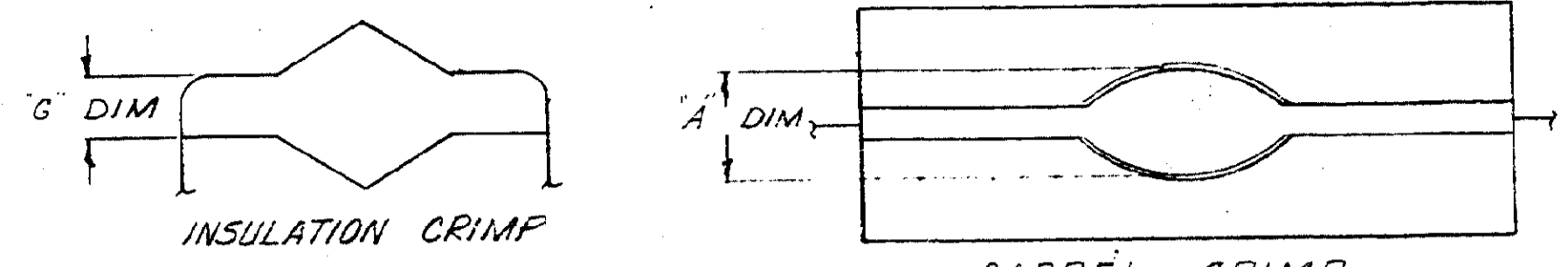


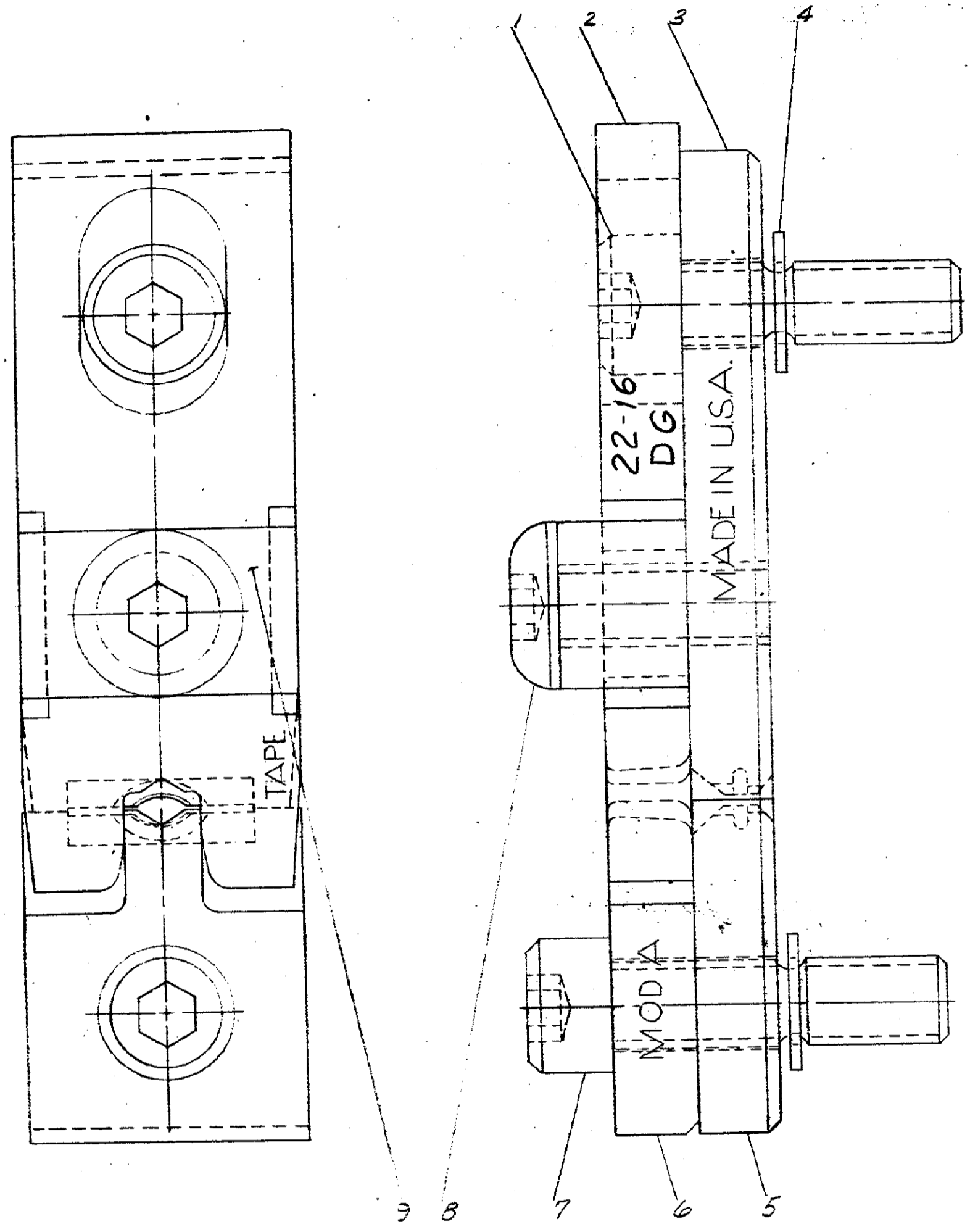
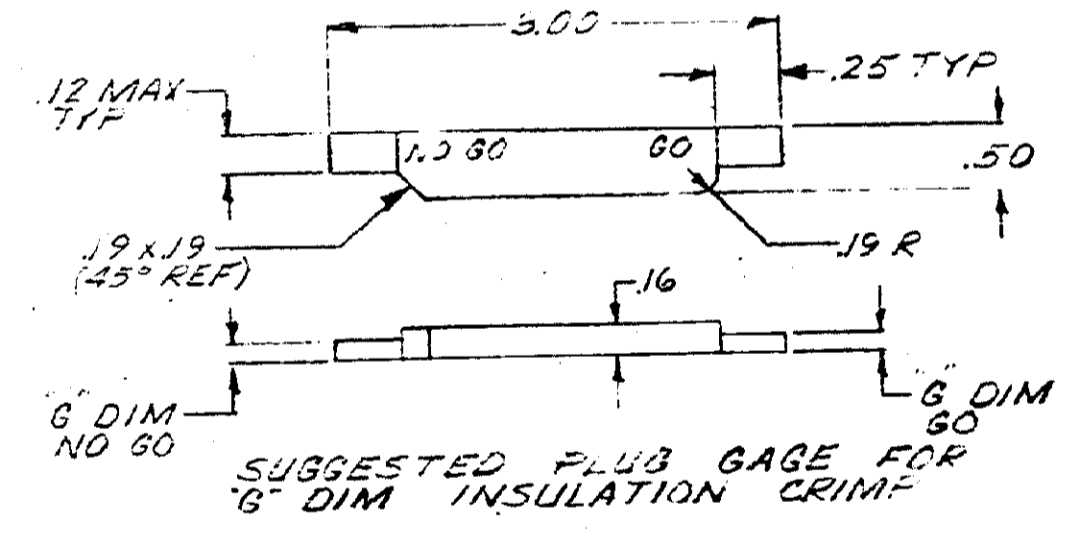
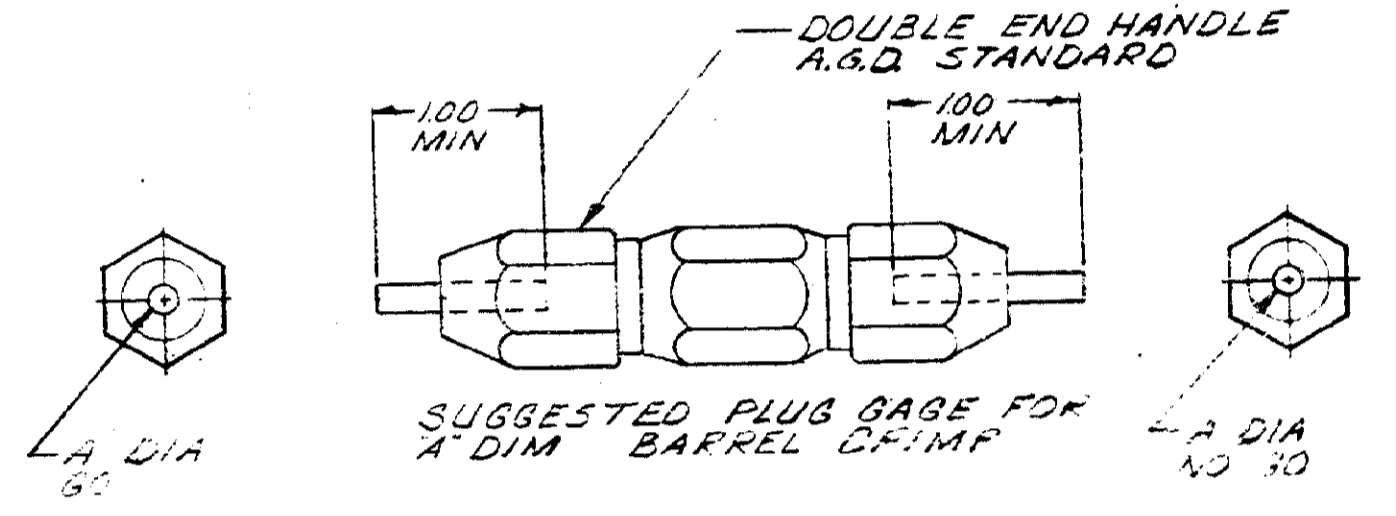
NUMBER 69903

PLUG GAGE DIMENSIONS APPLY WHEN TOOL IS
BOTTOMED BUT NOT UNDER PRESSURE.



ENLARGED VIEW OF CRIMPS

G DIM AT POS #1		A DIM	
GO	NO GO	GO	NO GO
.030	.050	.069	.075



SUPERSEDED BY IS-2423

ITEM NO.	NUMBER	NAME	REMARKS
9	307275-1	SADDLE	
8	2-59577-9	SCREW (10-32 UNF-3A X .470 LONG)	
7	59781-6	SCREW-SPECIAL	
6	3-59619-3	ANVIL-INSULATION	
5	307213-3	INSERT-BARREL LOWER	
4	1-21046-3	RING-RETAINING	
3	307212-3	INSERT-BARREL-UPPER	
2	1-307285-1	INDENTER-INSULATION	
1	59781-2	SCREW	

REQUIRED PER ASSEMBLY	NUMBER	NAME	REMARKS
© 1949 BY AMP INCORPORATED. ALL RIGHTS RESERVED. AMP PRODUCTS COVERED BY PATENTS AND/OR PATENTS PENDING.			
DR B. Shenfeld 12-16-69 CHE J. J. [Signature] 12-16-69 DE [Signature] 12-16-69 NAME [Signature] 12-16-69		MATERIAL AND FINISH WIRE - RANGE - INSULATION 22-16 + + TOLERANCE EXCEPT AS NOTED ± .015 ± 1" 0' SCALE 4-1 LOC M C NO. 69903 NAME DIE ASSEMBLY MOD A	
		CUSTOMER COPY REFERENCE ONLY AMP INCORPORATED HARRISBURG, PENNA. USED ON 69875 TYPE CROSS CRIMP D.G.	

REVISION	DATE	BY	CHKD
1	12-16-69	B. Shenfeld	
2	12-16-69	J. J. [Signature]	
3	12-16-69	[Signature]	



DIMENSIONS IN INCHES. DO NOT SCALE PRINT.