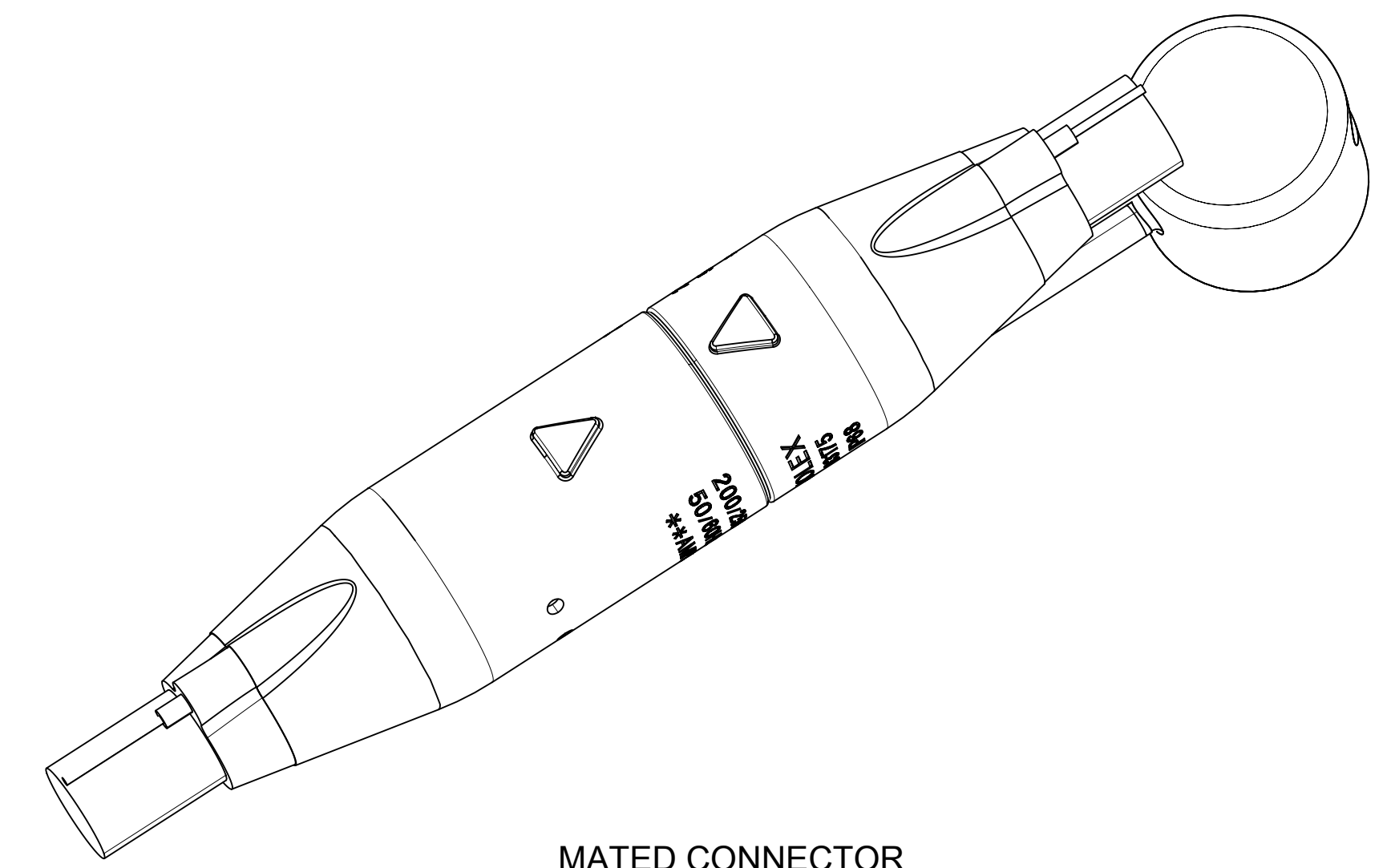
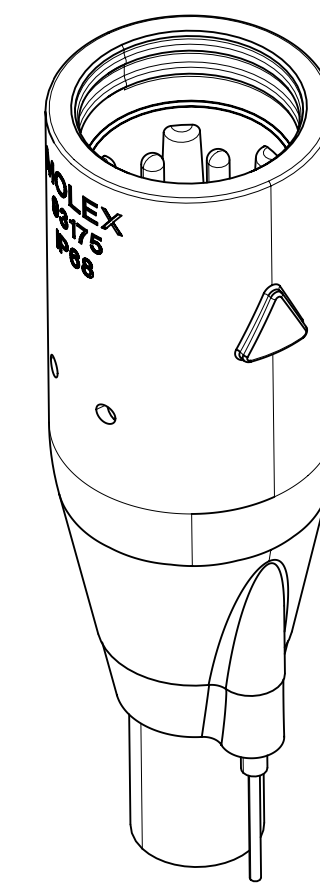
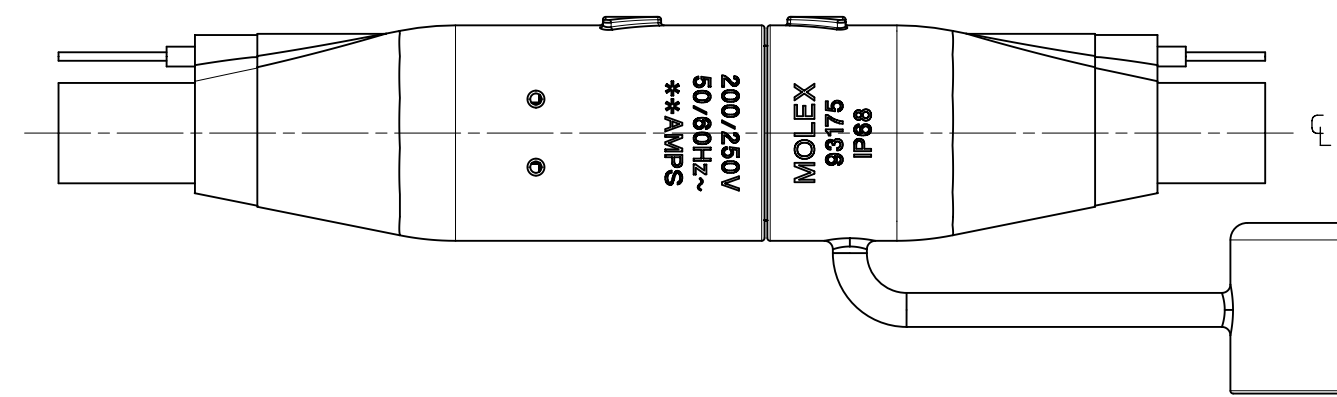
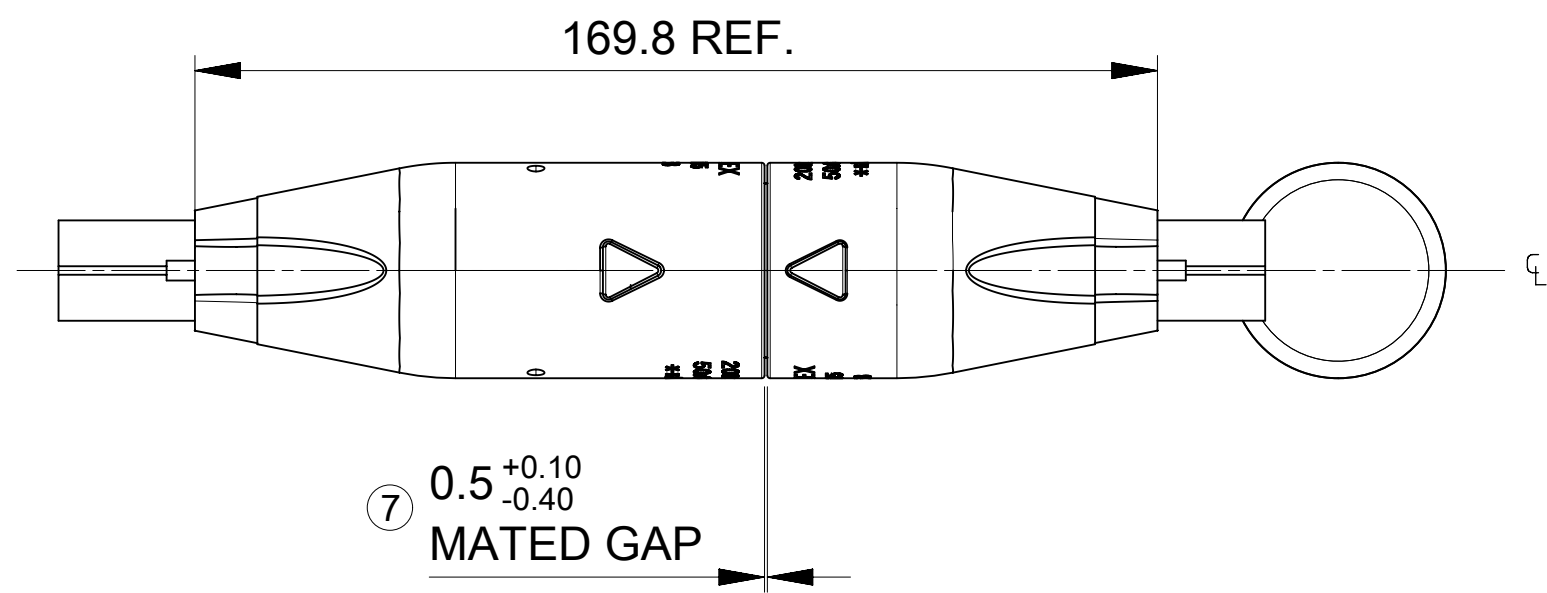


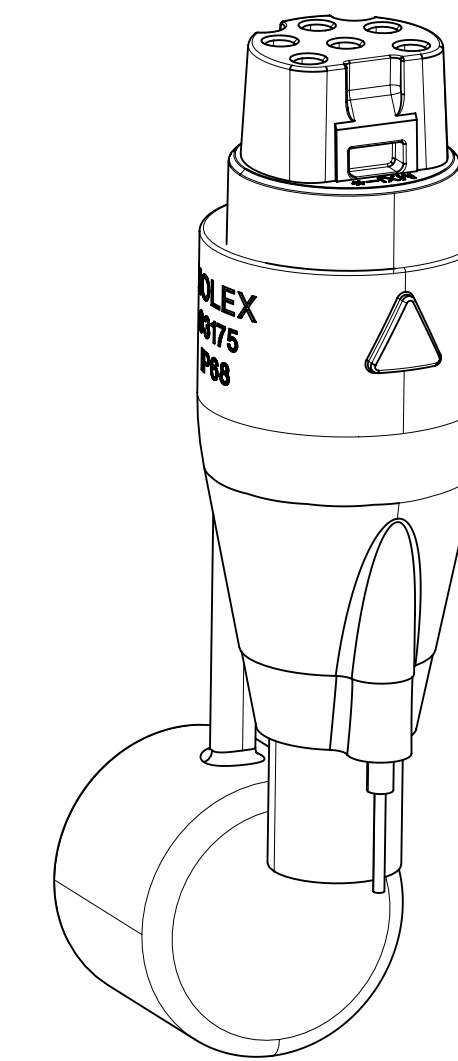
| CABLE LENGTH | TOLERANCE     |
|--------------|---------------|
| 1 - 2 M      | ±65mm         |
| 2 - 5 M      | ±100mm        |
| 5 - 10 M     | ±200mm        |
| 10 - 20 M    | ±400mm        |
| 20 - 30 M    | ±600mm        |
| 30 M PLUS    | +2% OF LENGTH |



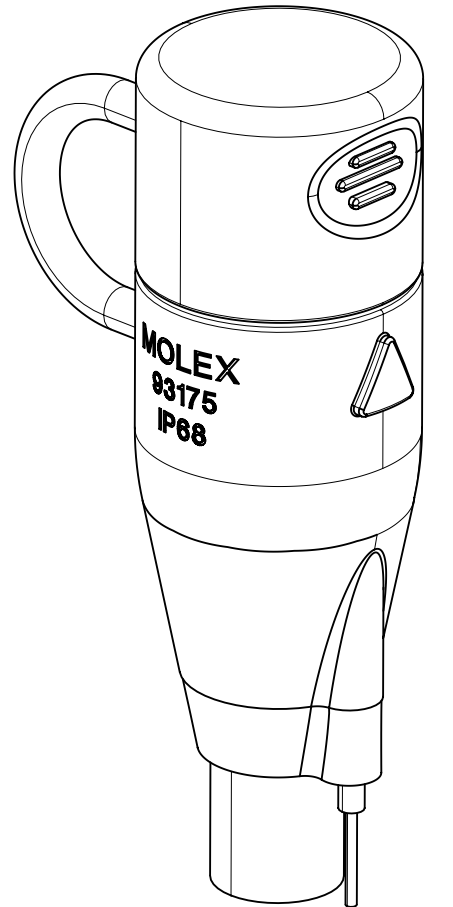
MATED CONNECTOR



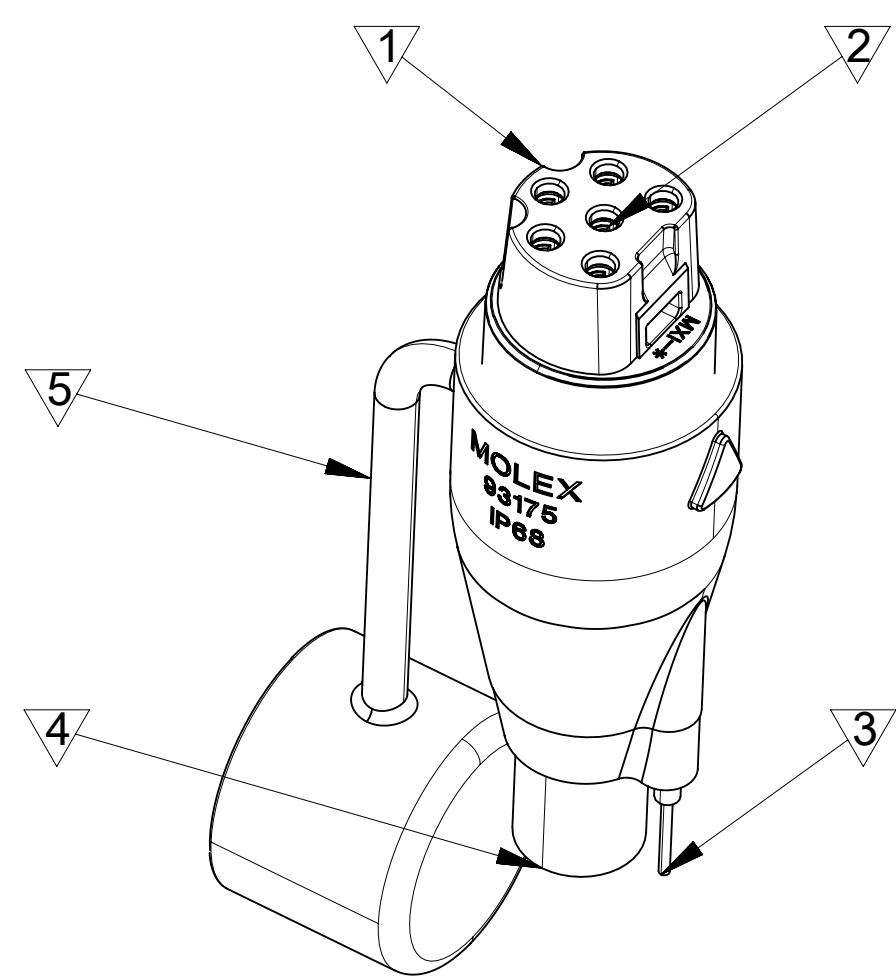
MALE CONNECTOR



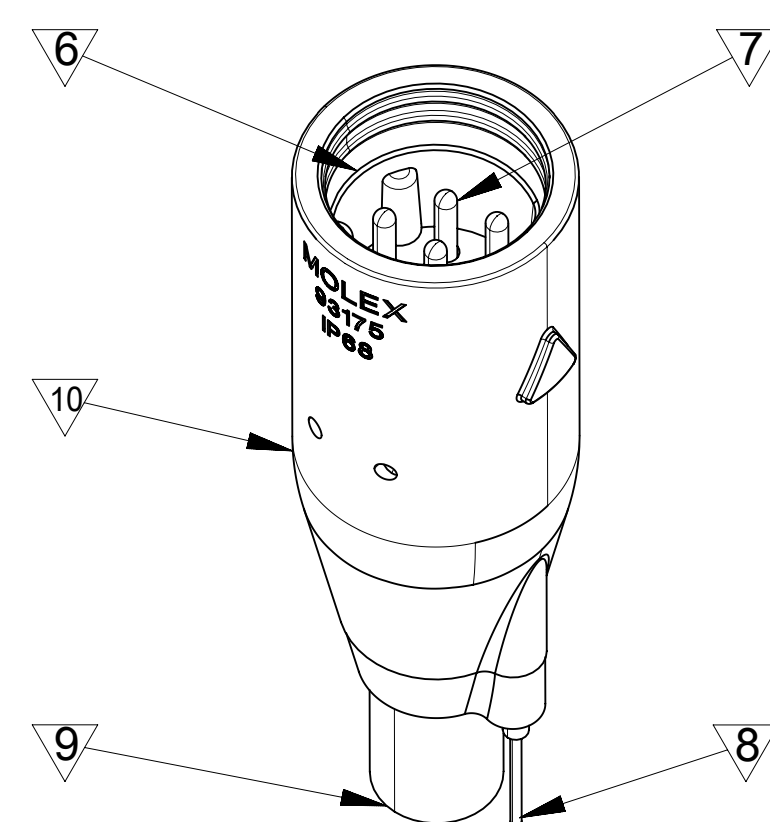
FEMALE CONNECTOR  
CAP OPEN



FEMALE CONNECTOR  
CAP CLOSED



| FEMALE CONNECTOR BOM |                  |                         |
|----------------------|------------------|-------------------------|
| No                   | DESCRIPTION      | MATERIAL                |
| 1                    | FEMALE MAIN BODY | PU                      |
| 2                    | FEMALE TERMINAL  | COPPER ALLOY            |
| 3                    | TETHER           | BRAIDED STAINLESS STEEL |
| 4                    | CABLE            | SEE CABLE SPEC          |
| 5                    | FEMALE OVERMOLD  | PU                      |



| MALE CONNECTOR BOM |                |                         |
|--------------------|----------------|-------------------------|
| No                 | DESCRIPTION    | MATERIAL                |
| 6                  | MALE MAIN BODY | PU                      |
| 7                  | MALE TERMINAL  | COPPER ALLOY            |
| 8                  | TETHER         | BRAIDED STAINLESS STEEL |
| 9                  | CABLE          | SEE CABLE SPEC          |
| 10                 | MALE OVERMOLD  | PU                      |

NOTES:

1. MATERIAL: SEE TABLES
  2. FOR PRODUCT SPECIFICATION PLEASE SEE PS-93175-001
  3. FOR PACKAGING SPECIFICATION PLEASE SEE PK-93175-001
  4. EXTERNAL SURFACE FINISH OF THE CONNECTOR TO BE 23 VDI
  5. 6 CIRCUIT VERSION SHOWN IN ALL VIEWS,  
FOR ALL OTHER CIRCUIT LAYOUTS PLEASE SEE PRODUCT SPEC
  6. ALL UNSPECIFIED TOLERANCES +/- 5 mm
  7. FOR CABLE LENGTH TOLERANCES PLEASE SEE TABLE
- INSPECTION NUMBERS 1-9 USED  
LAST INSPECTION NUMBER USED 7

| PART No LEGEND |                    |            |
|----------------|--------------------|------------|
| PART NO        | DESCRIPTION        | NOTE       |
| 931751***      | MALE ARMoured      | 3 TO 6 CKT |
| 931752***      | MALE UN-ARMoured   | 3 TO 6 CKT |
| 931753***      | FEMALE ARMoured    | 3 TO 6 CKT |
| 931754***      | FEMALE UN-ARMoured | 3 TO 6 CKT |
| 931755***      | MALE ARMoured      | 16 CKT     |
| 931756***      | FEMALE ARMoured    | 16 CKT     |

THIS DRAWING CONTAINS INFORMATION THAT IS PROPRIETARY TO MOLEX ELECTRONIC TECHNOLOGIES, LLC AND SHOULD NOT BE USED WITHOUT WRITTEN PERMISSION

|  |                        |  |                      |
|--|------------------------|--|----------------------|
| DIMENSION UNITS: mm                                  | SCALE: 1:1.3333        | CURRENT REV DESC: OBSOLETE PART NUMBER |                      |
| GENERAL TOLERANCES (UNLESS SPECIFIED)                |                        | EC NO: 643720                          |                      |
| 4 PLACES ±   | ±                      | DRWN: AKUMAR19                         | 2020/07/02           |
| 3 PLACES ±   | ±                      | CHK'D: GGA                             | 2020/08/27           |
| 2 PLACES ±   | 0.5 ±                  | APPR: GGA                              | 2020/08/27           |
| 1 PLACE ±  | 1.0 ±                  | INITIAL REVISION:                      |                      |
| 0 PLACES ±   | 5.0 ±                  | DRWN: D MAHER                          | 2008/10/30           |
| ANGULAR TOL ±  | 2.0 °                  | APPR: EFOLAN                           | 2010/10/21           |
| DRAFT WHERE APPLICABLE MUST REMAIN WITHIN DIMENSIONS | THIRD ANGLE PROJECTION | DRAWING: A1-SIZE                       | SERIES: 93175        |
| DOCUMENT NUMBER: SD-93175-001                        |                        | CUSTOMER: GENERAL MARKET               | SHEET NUMBER: 1 OF 5 |



PASSIVE SAFETY CONNECTOR  
ARMoured & UN-ARMoured

PRODUCT CUSTOMER DRAWING

|                 |          |          |          |
|-----------------|----------|----------|----------|
| DOCUMENT NUMBER | DOC TYPE | DOC PART | REVISION |
| SD-93175-001    | PSD      | 001      | T        |

| PART NUMBER | DIM B | DIM C | DESCRIPTION                   |
|-------------|-------|-------|-------------------------------|
| 931751001   | 1000  | 1000  | MALE CONNECTOR ARMoured 3 CKT |
| 931751002   | 2000  | 2000  | MALE CONNECTOR ARMoured 3 CKT |
| 931751004   | 5000  | 5000  | MALE CONNECTOR ARMoured 3 CKT |
| 931751005   | 10000 | 10000 | MALE CONNECTOR ARMoured 3 CKT |
| 931751006   | 15000 | 10000 | MALE CONNECTOR ARMoured 3 CKT |

| PART NUMBER | DIM B | DIM C | DESCRIPTION                   |
|-------------|-------|-------|-------------------------------|
| 931751101   | 1000  | 1000  | MALE CONNECTOR ARMoured 4 CKT |
| 931751102   | 2000  | 2000  | MALE CONNECTOR ARMoured 4 CKT |
| 931751103   | 3000  | 3000  | MALE CONNECTOR ARMoured 4 CKT |
| 931751104   | 5000  | 5000  | MALE CONNECTOR ARMoured 4 CKT |
| 931751105   | 10000 | 10000 | MALE CONNECTOR ARMoured 4 CKT |
| 931751106   | 15000 | 10000 | MALE CONNECTOR ARMoured 4 CKT |

| PART NUMBER | DIM B | DIM C | DESCRIPTION                   |
|-------------|-------|-------|-------------------------------|
| 931751201   | 1000  | 1000  | MALE CONNECTOR ARMoured 5 CKT |
| 931751202   | 2000  | 2000  | MALE CONNECTOR ARMoured 5 CKT |
| 931751203   | 3000  | 3000  | MALE CONNECTOR ARMoured 5 CKT |
| 931751204   | 5000  | 5000  | MALE CONNECTOR ARMoured 5 CKT |
| 931751205   | 10000 | 10000 | MALE CONNECTOR ARMoured 5 CKT |
| 931751206   | 15000 | 10000 | MALE CONNECTOR ARMoured 5 CKT |

| PART NUMBER | DIM B | DIM C | DESCRIPTION                   |
|-------------|-------|-------|-------------------------------|
| 931751301   | 1000  | 1000  | MALE CONNECTOR ARMoured 6 CKT |
| 931751302   | 2000  | 2000  | MALE CONNECTOR ARMoured 6 CKT |
| 931751303   | 3000  | 3000  | MALE CONNECTOR ARMoured 6 CKT |
| 931751304   | 5000  | 5000  | MALE CONNECTOR ARMoured 6 CKT |
| 931751305   | 10000 | 10000 | MALE CONNECTOR ARMoured 6 CKT |
| 931751306   | 15000 | 10000 | MALE CONNECTOR ARMoured 6 CKT |

| ARMoured        |     |
|-----------------|-----|
| CABLE DIA DIM A | CKT |
| 11.00           | 3   |
| 12.60           | 4   |
| 13.60           | 5   |
| 14.70           | 6   |

| PART NUMBER | DIM B | DIM C | DESCRIPTION                     |
|-------------|-------|-------|---------------------------------|
| 931752001   | 1000  | 1000  | MALE CONNECTOR UNARMoured 3 CKT |
| 931752002   | 2000  | 2000  | MALE CONNECTOR UNARMoured 3 CKT |
| 931752003   | 3000  | 3000  | MALE CONNECTOR UNARMoured 3 CKT |
| 931752004   | 5000  | 5000  | MALE CONNECTOR UNARMoured 3 CKT |
| 931752005   | 10000 | 10000 | MALE CONNECTOR UNARMoured 3 CKT |
| 931752006   | 15000 | 10000 | MALE CONNECTOR UNARMoured 3 CKT |

| PART NUMBER | DIM B | DIM C | DESCRIPTION                     |
|-------------|-------|-------|---------------------------------|
| 931752101   | 1000  | 1000  | MALE CONNECTOR UNARMoured 4 CKT |
| 931752102   | 2000  | 2000  | MALE CONNECTOR UNARMoured 4 CKT |
| 931752103   | 3000  | 3000  | MALE CONNECTOR UNARMoured 4 CKT |
| 931752104   | 5000  | 5000  | MALE CONNECTOR UNARMoured 4 CKT |
| 931752105   | 10000 | 10000 | MALE CONNECTOR UNARMoured 4 CKT |
| 931752106   | 15000 | 10000 | MALE CONNECTOR UNARMoured 4 CKT |

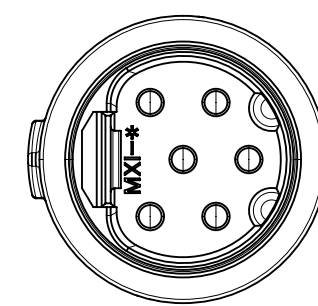
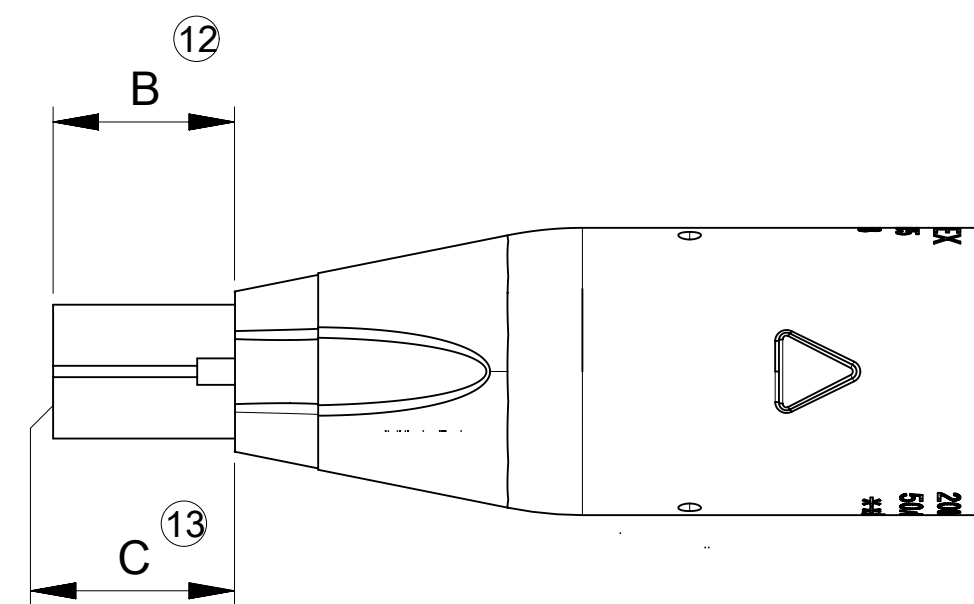
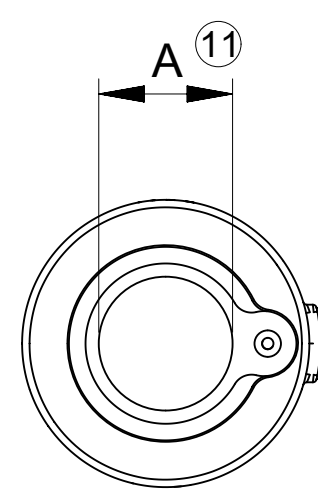
| PART NUMBER | DIM B | DIM C | DESCRIPTION                     |
|-------------|-------|-------|---------------------------------|
| 931752201   | 1000  | 1000  | MALE CONNECTOR UNARMoured 5 CKT |
| 931752202   | 2000  | 2000  | MALE CONNECTOR UNARMoured 5 CKT |
| 931752203   | 3000  | 3000  | MALE CONNECTOR UNARMoured 5 CKT |
| 931752204   | 5000  | 5000  | MALE CONNECTOR UNARMoured 5 CKT |
| 931752205   | 10000 | 10000 | MALE CONNECTOR UNARMoured 5 CKT |
| 931752206   | 15000 | 10000 | MALE CONNECTOR UNARMoured 5 CKT |

| PART NUMBER | DIM B | DIM C | DESCRIPTION                     |
|-------------|-------|-------|---------------------------------|
| 931752301   | 1000  | 1000  | MALE CONNECTOR UNARMoured 6 CKT |
| 931752302   | 2000  | 2000  | MALE CONNECTOR UNARMoured 6 CKT |
| 931752303   | 3000  | 3000  | MALE CONNECTOR UNARMoured 6 CKT |
| 931752304   | 5000  | 5000  | MALE CONNECTOR UNARMoured 6 CKT |
| 931752305   | 10000 | 10000 | MALE CONNECTOR UNARMoured 6 CKT |
| 931752306   | 15000 | 10000 | MALE CONNECTOR UNARMoured 6 CKT |

| UNARMoured      |     |
|-----------------|-----|
| CABLE DIA DIM A | CKT |
| TBD             | 3   |
| TBD             | 4   |
| TBD             | 5   |
| TBD             | 6   |

NOTE

- CABLE COLOR BLACK  
INSPECTION NUMBERS 10 TO 19 USED  
LAST INSPECTION NUMBER USED 13



|   |                        |  |  |
|---|------------------------|--|--|
| THIS DRAWING CONTAINS INFORMATION THAT IS PROPRIETARY TO MOLEX ELECTRONIC TECHNOLOGIES, LLC AND SHOULD NOT BE USED WITHOUT WRITTEN PERMISSION |                        |  |  |
| DIMENSION UNITS<br><b>mm</b>  | SCALE<br><b>1:1</b>    | CURRENT REV DESC: OBSOLETE PART NUMBER   |  |
| GENERAL TOLERANCES (UNLESS SPECIFIED)   |                        | <b>molex</b><br>PASSIVE SAFETY CONNECTOR<br>ARMoured & UN-ARMoured<br>PRODUCT CUSTOMER DRAWING   |  |
|   | MM INCH                |  |  |
| 4 PLACES ±  | ±                      |  |  |
| 3 PLACES ±  | ±                      |  |  |
| 2 PLACES ± 0.5  | ±                      |  |  |
| 1 PLACE ± 1.0   | ±                      |  |  |
| 0 PLACES ± 5.0  | ±                      | EC NO: 643720<br>DRWN: AKUMAR19<br>CHK'D: GGA<br>APPR: GGA<br>INITIAL REVISION:<br>DRWN: D MAHER<br>APPR: EFOLAN<br>ANGULAR TOL ± 2.0° | 2020/07/02<br>2020/08/27<br>2020/08/27<br>2008/10/30<br>2010/10/21 |
| DRAFT WHERE APPLICABLE MUST REMAIN WITHIN DIMENSIONS  | THIRD ANGLE PROJECTION | DRAWING<br><b>A1-SIZE</b>  | SERIES<br><b>93175</b>   |
| DOCUMENT STATUS   | P1                     | RELEASE DATE   | 2020/08/27 10:27:31  |
| DOCUMENT NUMBER   | CUSTOMER               | SHEET NUMBER   | REVISION   |
| <b>SD-93175-001</b>   | GENERAL MARKET         | <b>2 OF 5</b>  | <b>T</b>   |

| PART NUMBER | DIM B | DIM C | DESCRIPTION                     |
|-------------|-------|-------|---------------------------------|
| 931753001   | 1000  | 1000  | FEMALE CONNECTOR ARMOURED 3 CKT |
| 931753002   | 2000  | 2000  | FEMALE CONNECTOR ARMOURED 3 CKT |
| 931753003   | 3000  | 3000  | FEMALE CONNECTOR ARMOURED 3 CKT |
| 931753004   | 5000  | 5000  | FEMALE CONNECTOR ARMOURED 3 CKT |
| 931753005   | 10000 | 10000 | FEMALE CONNECTOR ARMOURED 3 CKT |
| 931753006   | 15000 | 15000 | FEMALE CONNECTOR ARMOURED 3 CKT |
| 931753007   | 15000 | 20000 | FEMALE CONNECTOR ARMOURED 3 CKT |
| 931753008   | 15000 | 25000 | FEMALE CONNECTOR ARMOURED 3 CKT |
| 931753009   | 15000 | 30000 | FEMALE CONNECTOR ARMOURED 3 CKT |
| 931753010   | 15000 | 35000 | FEMALE CONNECTOR ARMOURED 3 CKT |
| 931753011   | 15000 | 40000 | FEMALE CONNECTOR ARMOURED 3 CKT |
| 931753012   | 15000 | 45000 | FEMALE CONNECTOR ARMOURED 3 CKT |
| 931753013   | 15000 | 50000 | FEMALE CONNECTOR ARMOURED 3 CKT |

| PART NUMBER | DIM B | DIM C | DESCRIPTION                     |
|-------------|-------|-------|---------------------------------|
| 931753101   | 1000  | 1000  | FEMALE CONNECTOR ARMOURED 4 CKT |
| 931753102   | 2000  | 2000  | FEMALE CONNECTOR ARMOURED 4 CKT |
| 931753103   | 3000  | 3000  | FEMALE CONNECTOR ARMOURED 4 CKT |
| 931753104   | 5000  | 5000  | FEMALE CONNECTOR ARMOURED 4 CKT |
| 931753105   | 10000 | 10000 | FEMALE CONNECTOR ARMOURED 4 CKT |
| 931753106   | 15000 | 15000 | FEMALE CONNECTOR ARMOURED 4 CKT |
| 931753107   | 15000 | 20000 | FEMALE CONNECTOR ARMOURED 4 CKT |
| 931753108   | 15000 | 25000 | FEMALE CONNECTOR ARMOURED 4 CKT |
| 931753109   | 15000 | 30000 | FEMALE CONNECTOR ARMOURED 4 CKT |
| 931753110   | 15000 | 35000 | FEMALE CONNECTOR ARMOURED 4 CKT |
| 931753111   | 15000 | 40000 | FEMALE CONNECTOR ARMOURED 4 CKT |
| 931753112   | 15000 | 45000 | FEMALE CONNECTOR ARMOURED 4 CKT |
| 931753113   | 15000 | 50000 | FEMALE CONNECTOR ARMOURED 4 CKT |

| PART NUMBER | DIM B | DIM C | DESCRIPTION                     |
|-------------|-------|-------|---------------------------------|
| 931753201   | 1000  | 1000  | FEMALE CONNECTOR ARMOURED 5 CKT |
| 931753202   | 2000  | 2000  | FEMALE CONNECTOR ARMOURED 5 CKT |
| 931753203   | 3000  | 3000  | FEMALE CONNECTOR ARMOURED 5 CKT |
| 931753204   | 5000  | 5000  | FEMALE CONNECTOR ARMOURED 5 CKT |
| 931753205   | 10000 | 10000 | FEMALE CONNECTOR ARMOURED 5 CKT |
| 931753206   | 15000 | 15000 | FEMALE CONNECTOR ARMOURED 5 CKT |
| 931753207   | 15000 | 20000 | FEMALE CONNECTOR ARMOURED 5 CKT |
| 931753208   | 15000 | 25000 | FEMALE CONNECTOR ARMOURED 5 CKT |
| 931753209   | 15000 | 30000 | FEMALE CONNECTOR ARMOURED 5 CKT |
| 931753210   | 15000 | 35000 | FEMALE CONNECTOR ARMOURED 5 CKT |
| 931753211   | 15000 | 40000 | FEMALE CONNECTOR ARMOURED 5 CKT |
| 931753212   | 15000 | 45000 | FEMALE CONNECTOR ARMOURED 5 CKT |
| 931753213   | 15000 | 50000 | FEMALE CONNECTOR ARMOURED 5 CKT |

| PART NUMBER | DIM B | DIM C | DESCRIPTION                     |
|-------------|-------|-------|---------------------------------|
| 931753301   | 1000  | 1000  | FEMALE CONNECTOR ARMOURED 6 CKT |
| 931753302   | 2000  | 2000  | FEMALE CONNECTOR ARMOURED 6 CKT |
| 931753303   | 3000  | 3000  | FEMALE CONNECTOR ARMOURED 6 CKT |
| 931753304   | 5000  | 5000  | FEMALE CONNECTOR ARMOURED 6 CKT |
| 931753305   | 10000 | 10000 | FEMALE CONNECTOR ARMOURED 6 CKT |
| 931753306   | 15000 | 15000 | FEMALE CONNECTOR ARMOURED 6 CKT |
| 931753307   | 15000 | 20000 | FEMALE CONNECTOR ARMOURED 6 CKT |
| 931753308   | 15000 | 25000 | FEMALE CONNECTOR ARMOURED 6 CKT |
| 931753309   | 15000 | 30000 | FEMALE CONNECTOR ARMOURED 6 CKT |
| 931753310   | 15000 | 35000 | FEMALE CONNECTOR ARMOURED 6 CKT |
| 931753311   | 15000 | 40000 | FEMALE CONNECTOR ARMOURED 6 CKT |
| 931753312   | 15000 | 45000 | FEMALE CONNECTOR ARMOURED 6 CKT |
| 931753313   | 15000 | 50000 | FEMALE CONNECTOR ARMOURED 6 CKT |

| ARMOURED        |     |
|-----------------|-----|
| CABLE DIA DIM A | CKT |
| 11.00           | 3   |
| 12.60           | 4   |
| 13.60           | 5   |
| 14.70           | 6   |

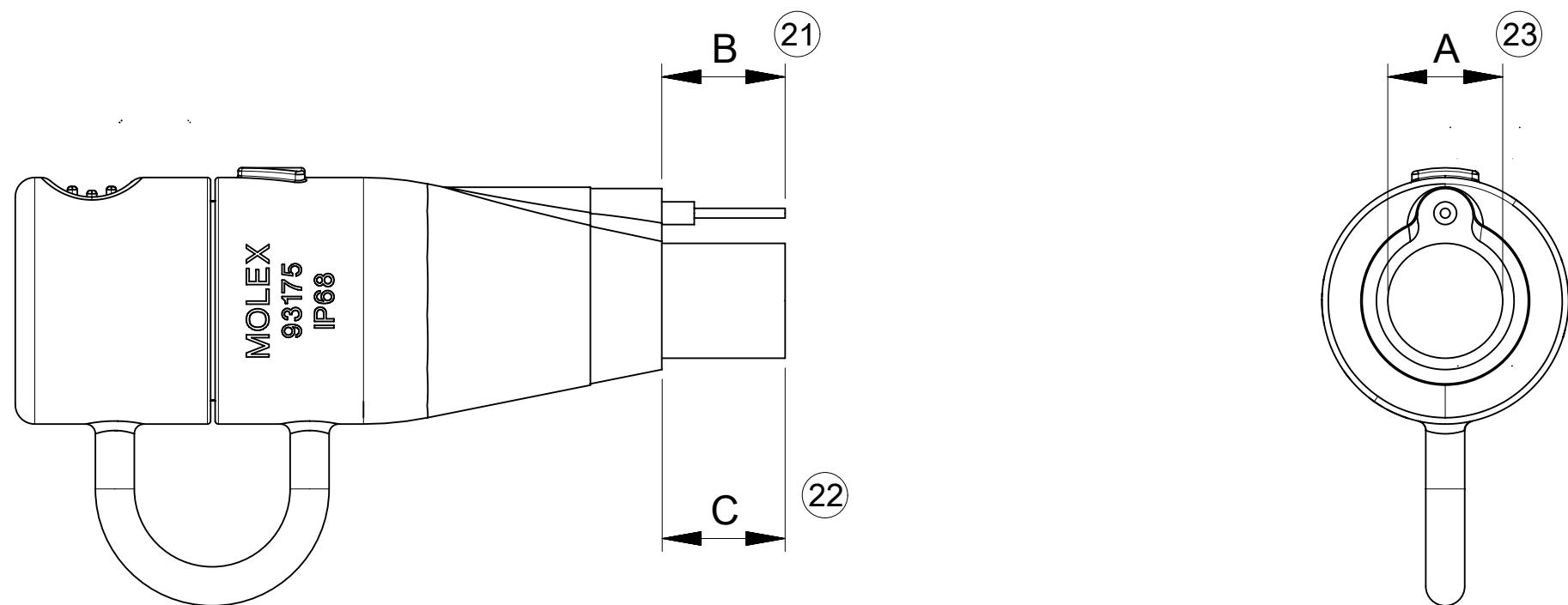
| PART NUMBER | DIM B | DIM C | DESCRIPTION                       |
|-------------|-------|-------|-----------------------------------|
| 931754001   | 1000  | 1000  | FEMALE CONNECTOR UNARMOURED 3 CKT |
| 931754002   | 2000  | 2000  | FEMALE CONNECTOR UNARMOURED 3 CKT |
| 931754003   | 3000  | 3000  | FEMALE CONNECTOR UNARMOURED 3 CKT |
| 931754004   | 5000  | 5000  | FEMALE CONNECTOR UNARMOURED 3 CKT |
| 931754005   | 10000 | 10000 | FEMALE CONNECTOR UNARMOURED 3 CKT |
| 931754006   | 15000 | 15000 | FEMALE CONNECTOR UNARMOURED 3 CKT |

| PART NUMBER | DIM B | DIM C | DESCRIPTION                       |
|-------------|-------|-------|-----------------------------------|
| 931754101   | 1000  | 1000  | FEMALE CONNECTOR UNARMOURED 4 CKT |
| 931754102   | 2000  | 2000  | FEMALE CONNECTOR UNARMOURED 4 CKT |
| 931754103   | 3000  | 3000  | FEMALE CONNECTOR UNARMOURED 4 CKT |
| 931754104   | 5000  | 5000  | FEMALE CONNECTOR UNARMOURED 4 CKT |
| 931754105   | 10000 | 10000 | FEMALE CONNECTOR UNARMOURED 4 CKT |
| 931754106   | 15000 | 15000 | FEMALE CONNECTOR UNARMOURED 4 CKT |

| PART NUMBER | DIM B | DIM C | DESCRIPTION                       |
|-------------|-------|-------|-----------------------------------|
| 931754201   | 1000  | 1000  | FEMALE CONNECTOR UNARMOURED 5 CKT |
| 931754202   | 2000  | 2000  | FEMALE CONNECTOR UNARMOURED 5 CKT |
| 931754203   | 3000  | 3000  | FEMALE CONNECTOR UNARMOURED 5 CKT |
| 931754204   | 5000  | 5000  | FEMALE CONNECTOR UNARMOURED 5 CKT |
| 931754205   | 10000 | 10000 | FEMALE CONNECTOR UNARMOURED 5 CKT |
| 931754206   | 15000 | 15000 | FEMALE CONNECTOR UNARMOURED 5 CKT |

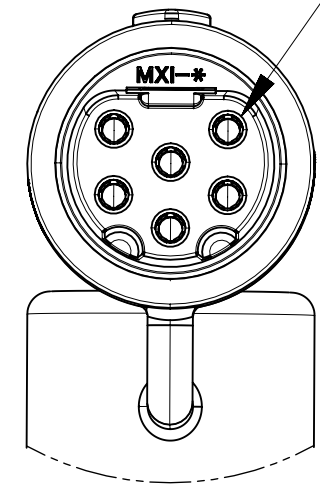
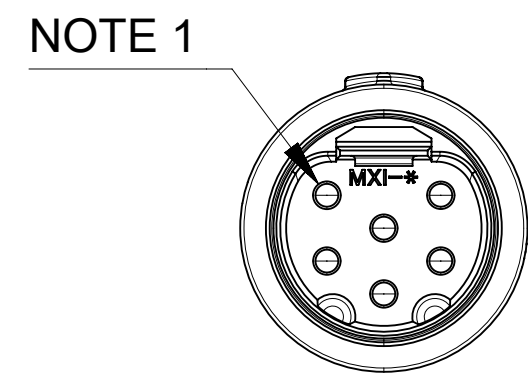
| PART NUMBER | DIM B | DIM C | DESCRIPTION                       |
|-------------|-------|-------|-----------------------------------|
| 931754301   | 1000  | 1000  | FEMALE CONNECTOR UNARMOURED 6 CKT |
| 931754302   | 2000  | 2000  | FEMALE CONNECTOR UNARMOURED 6 CKT |
| 931754303   | 3000  | 3000  | FEMALE CONNECTOR UNARMOURED 6 CKT |
| 931754304   | 5000  | 5000  | FEMALE CONNECTOR UNARMOURED 6 CKT |
| 931754305   | 10000 | 10000 | FEMALE CONNECTOR UNARMOURED 6 CKT |
| 931754306   | 15000 | 15000 | FEMALE CONNECTOR UNARMOURED 6 CKT |

| UNARMOURED      |     |
|-----------------|-----|
| CABLE DIA DIM A | CKT |
| TBD             | 3   |
| TBD             | 4   |
| TBD             | 5   |
| TBD             | 6   |

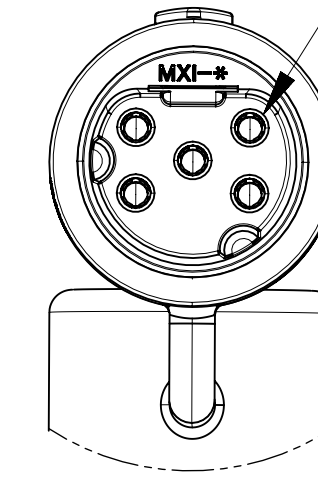
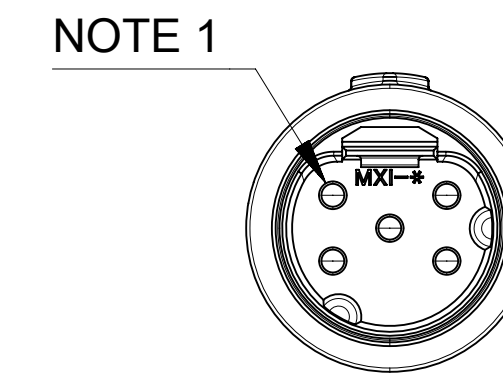


NOTE  
1. CABLE COLOR BLACK  
INSPECTION NUMBERS 20 TO 29 USED  
LAST INSPECTION NUMBER USED 23

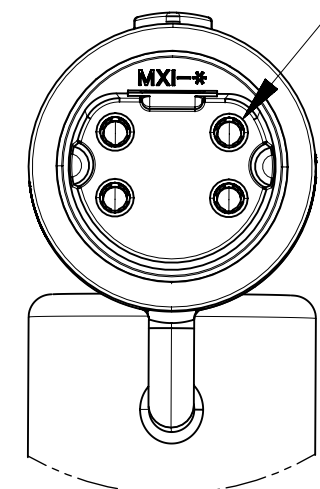
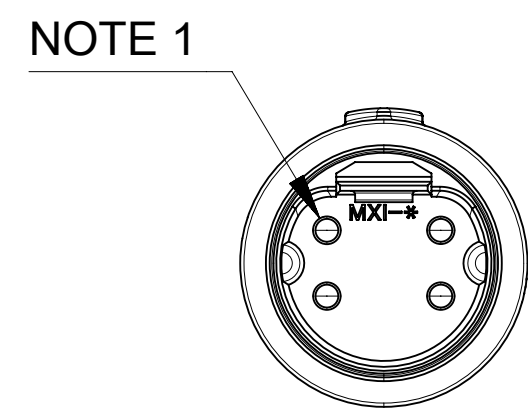
|   |       |  |  |              |            |
|---|-------|--|--|--------------|------------|
| THIS DRAWING CONTAINS INFORMATION THAT IS PROPRIETARY TO MOLEX ELECTRONIC TECHNOLOGIES, LLC AND SHOULD NOT BE USED WITHOUT WRITTEN PERMISSION |       | CURRENT REV DESC: OBSOLETE PART NUMBER |  |              |            |
| DIMENSION UNITS   | SCALE | EC NO: 643720                          |  |              |            |
| mm  | 1:1   | DRWN: AKUMAR19                         |  | 2020/07/02   |            |
| GENERAL TOLERANCES (UNLESS SPECIFIED)   |       | CHK'D: GGA                             |  | 2020/08/27   |            |
|   | MM    | INCH                                   | APPR: GGA  |              | 2020/08/27 |
| 4 PLACES  | ±     | ±                                      | INITIAL REVISION:                                    |              |            |
| 3 PLACES  | ±     | ±                                      | DRWN: D MAHER  |              | 2008/10/30 |
| 2 PLACES  | ±     | 0.5                                    | APPR: EFO LAN  |              | 2010/10/21 |
| 1 PLACE   | ±     | 1.0                                    | ANGULAR TOL ± 2.0°                                   |              |            |
| 0 PLACES  | ±     | 5.0                                    | DRAFT WHERE APPLICABLE MUST REMAIN WITHIN DIMENSIONS |              |            |
| THIRD ANGLE PROJECTION  |       | DRAWING                                |  | SERIES       |            |
|   |       | A1-SIZE                                |  | 93175        |            |
| MATERIAL NUMBER   |       | CUSTOMER                               |  | SHEET NUMBER |            |
| SEE TABLE   |       | GENERAL MARKET                         |  | 3 OF 5       |            |



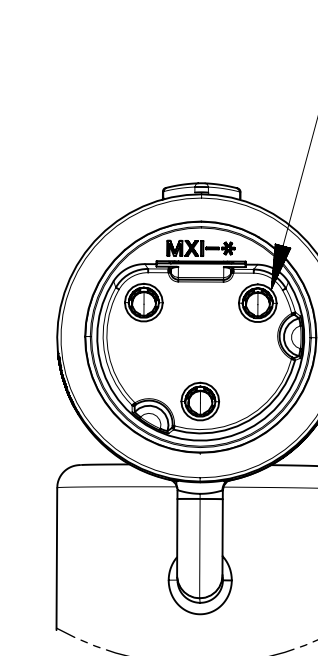
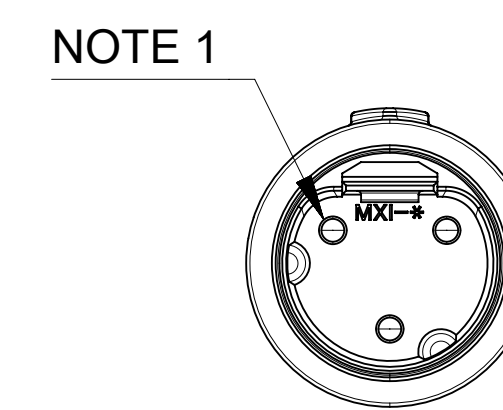
VIEW SHOWING KEYING  
OF 6 CIRCUIT VERSION



VIEW SHOWING KEYING  
OF 5 CIRCUIT VERSION


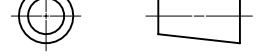


VIEW SHOWING KEYING  
OF 4 CIRCUIT VERSION



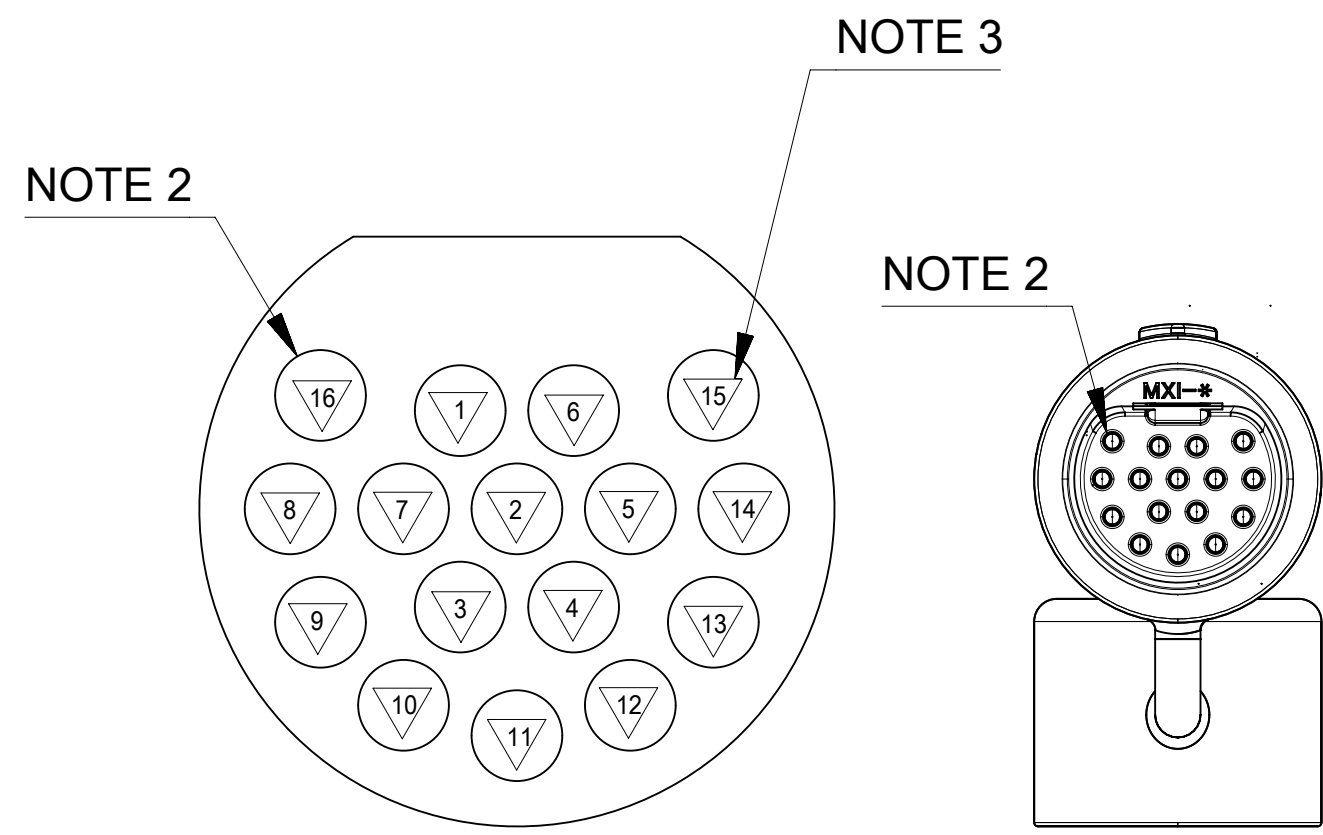
VIEW SHOWING KEYING  
OF 3 CIRCUIT VERSION

NOTES:  
1. EARTH POSITION

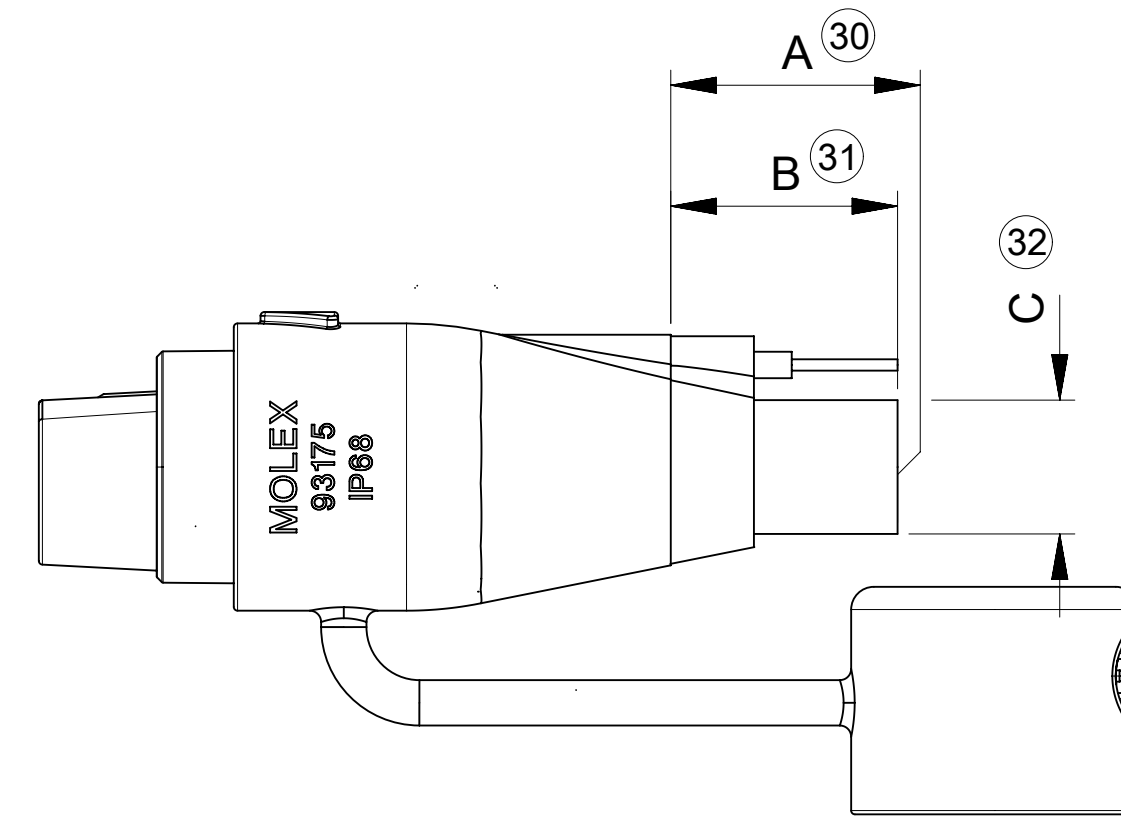
|   |   |        |      |  |  |         |  |           |  |   |              |
|---|---|--------|------|--|--|---------|--|-----------|--|---|--------------|
| THIS DRAWING CONTAINS INFORMATION THAT IS PROPRIETARY TO MOLEX ELECTRONIC TECHNOLOGIES, LLC AND SHOULD NOT BE USED WITHOUT WRITTEN PERMISSION |   |        |      |  |  |         |  |           |  |   |              |
| DIMENSION UNITS   |   | SCALE  |      | CURRENT REV DESC: OBSOLETE PART NUMBER   |  |         |  |           |  |  |              |
| mm  |   | 1:1    |      | EC NO: 643720<br>DRWN: AKUMAR19<br>CHK'D: GGA<br>APPR: GGA<br>INITIAL REVISION:<br>DRWN: D MAHER<br>APPR: EFOLAN |  |         |  |           |  |   |              |
| GENERAL TOLERANCES (UNLESS SPECIFIED)   |   |        |      |  |  |         |  |           |  | 2020/07/02  |              |
|   |   | MM     | INCH |  |  |         |  |           |  | DOCUMENT NUMBER   |              |
| 4 PLACES  | ± |        |      |  |  |         |  |           |  | SD-93175-001  |              |
| 3 PLACES  | ± |        |      |  |  |         |  |           |  | DOC TYPE  | DOC PART     |
| 2 PLACES  | ± | 0.5    |      |  |  |         |  |           |  | PSD   | 001          |
| 1 PLACE   | ± | 1.0    |      |  |  |         |  |           |  | REVISION  | T            |
| 0 PLACES  | ± | 5.0    |      |  |  |         |  |           |  | MATERIAL NUMBER   |              |
| ANGULAR TOL   |   | ± 2.0° |      |  |  |         |  |           |  | CUSTOMER  | SHEET NUMBER |
| DRAFT WHERE APPLICABLE MUST REMAIN WITHIN DIMENSIONS  |   |        |      | THIRD ANGLE PROJECTION   |  | DRAWING |  | SERIES    |  | CUSTOMER  |              |
|   |   |        |      |                             |  | A1-SIZE |  | 93175     |  | GENERAL MARKET  |              |
|   |   |        |      |  |  |         |  | SEE TABLE |  | 4 OF 5  |              |



| PIN     | COLOR               | COLOR        |
|---------|---------------------|--------------|
| 1       | WHITE/ORANGE        | WH/OG        |
| 2       | BROWN               | BN           |
| 3       | BLUE                | BU           |
| 4       | WHITE               | WH           |
| 5       | RED                 | RD           |
| 6       | BROWN/BLUE          | BN/BU        |
| 7       | BLACK               | BK           |
| 8       | BROWN/GRAY          | BN/GY        |
| 9       | ORANGE/GRAY         | OG/GY        |
| 10      | RED/BLUE            | RD/BU        |
| 11      | ORANGE              | OG           |
| 12      | GRAY                | GY           |
| 13      | VIOLET              | VT           |
| 14      | PINK                | PK           |
| 15      | RED/GRAY            | RD/GY        |
| 16(GND) | BLACK/VIOLET+SHIELD | BK/VT+SHIELD |



16 CIRCUIT WIRE LAYOUT  
CONNECTOR FRONT VIEW

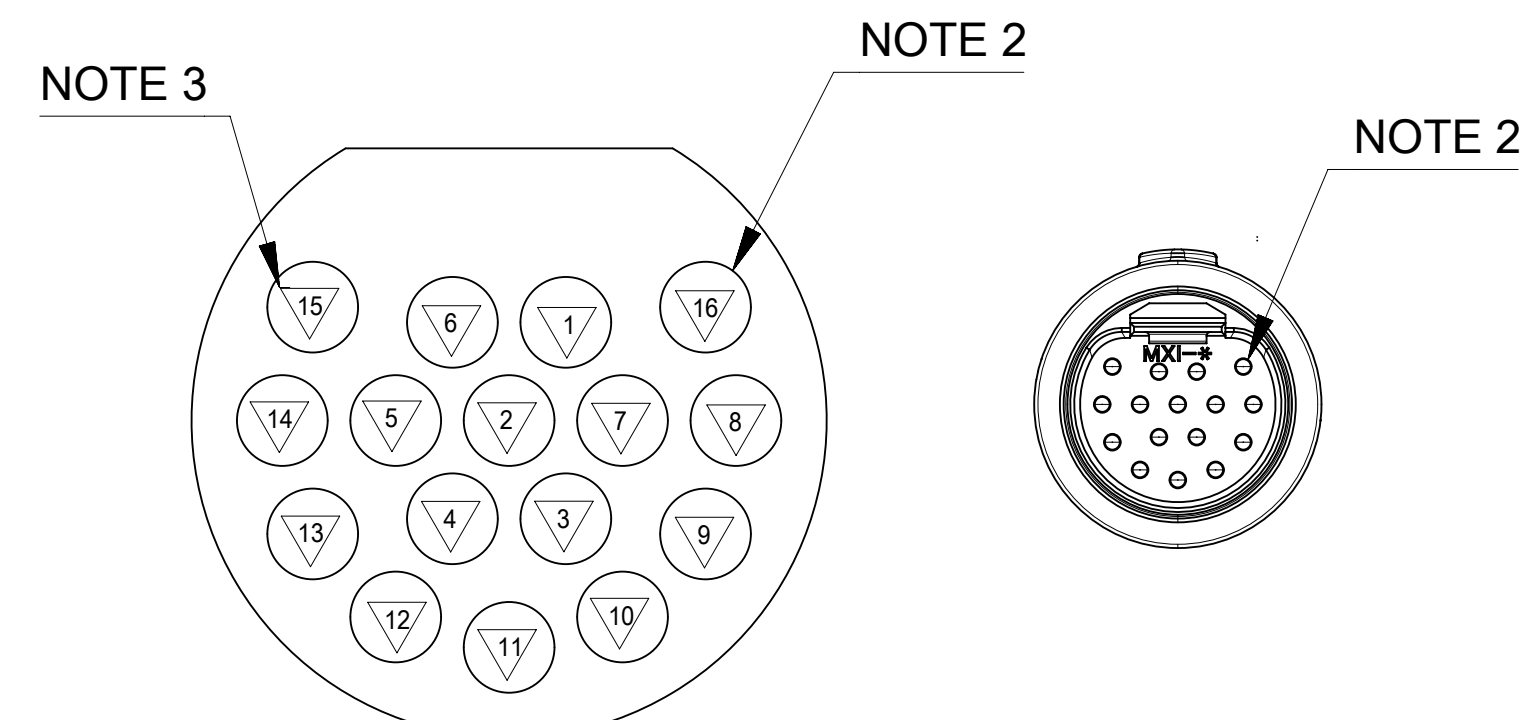


FEMALE POLE PLUG CONNECTOR  
16 CIRCUIT

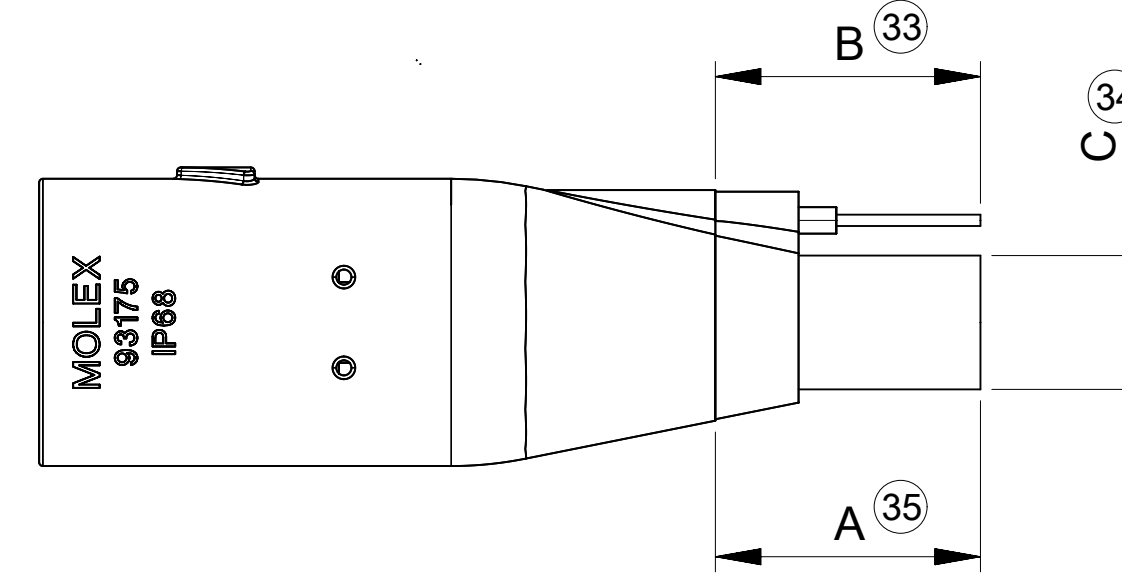
| STANDARD PRODUCT |       |       |       |  |
|------------------|-------|-------|-------|--|
| PART NUMBER      | DIM A | DIM B | DIM C | DESCRIPTION                                  |
| 931756001        | 1000  | 75    | 17.7  | BLACK ARMoured 16 CKT CONNECTOR ORANGE CABLE |
| 931756002        | 2000  | 75    | 17.7  | BLACK ARMoured 16 CKT CONNECTOR ORANGE CABLE |
| 931756003        | 3000  | 75    | 17.7  | BLACK ARMoured 16 CKT CONNECTOR ORANGE CABLE |
| 931756026        | 4000  | 75    | 17.7  | BLACK ARMoured 16 CKT CONNECTOR ORANGE CABLE |
| 931756004        | 5000  | 75    | 17.7  | BLACK ARMoured 16 CKT CONNECTOR ORANGE CABLE |
| 931756005        | 10000 | 75    | 17.7  | BLACK ARMoured 16 CKT CONNECTOR ORANGE CABLE |
| 931756013        | 15000 | 75    | 17.7  | BLACK ARMoured 16 CKT CONNECTOR ORANGE CABLE |
| 931756006        | 20000 | 75    | 17.7  | BLACK ARMoured 16 CKT CONNECTOR ORANGE CABLE |
| 931756014        | 25000 | 75    | 17.7  | BLACK ARMoured 16 CKT CONNECTOR ORANGE CABLE |
| 931756007        | 30000 | 75    | 17.7  | BLACK ARMoured 16 CKT CONNECTOR ORANGE CABLE |
| 931756015        | 35000 | 75    | 17.7  | BLACK ARMoured 16 CKT CONNECTOR ORANGE CABLE |
| 931756016        | 40000 | 75    | 17.7  | BLACK ARMoured 16 CKT CONNECTOR ORANGE CABLE |
| 931756017        | 45000 | 75    | 17.7  | BLACK ARMoured 16 CKT CONNECTOR ORANGE CABLE |
| 931756018        | 50000 | 75    | 17.7  | BLACK ARMoured 16 CKT CONNECTOR ORANGE CABLE |
| 931756019        | 5000  | 75    | 17.7  | RED ARMoured 16 CKT CONNECTOR ORANGE CABLE   |
| 931756008        | 10000 | 75    | 17.7  | RED ARMoured 16 CKT CONNECTOR ORANGE CABLE   |
| 931756020        | 15000 | 75    | 17.7  | RED ARMoured 16 CKT CONNECTOR ORANGE CABLE   |
| 931756009        | 20000 | 75    | 17.7  | RED ARMoured 16 CKT CONNECTOR ORANGE CABLE   |
| 931756021        | 25000 | 75    | 17.7  | RED ARMoured 16 CKT CONNECTOR ORANGE CABLE   |
| 931756010        | 30000 | 75    | 17.7  | RED ARMoured 16 CKT CONNECTOR ORANGE CABLE   |
| 931756022        | 35000 | 75    | 17.7  | RED ARMoured 16 CKT CONNECTOR ORANGE CABLE   |
| 931756023        | 40000 | 75    | 17.7  | RED ARMoured 16 CKT CONNECTOR ORANGE CABLE   |
| 931756024        | 45000 | 75    | 17.7  | RED ARMoured 16 CKT CONNECTOR ORANGE CABLE   |
| 931756025        | 50000 | 75    | 17.7  | RED ARMoured 16 CKT CONNECTOR ORANGE CABLE   |

| SPECIAL BUILD |       |       |       |  |
|---------------|-------|-------|-------|--|
| PART NUMBER   | DIM A | DIM B | DIM C | DESCRIPTION                                  |
| 931756011     | 31000 | 75    | 17.7  | BLACK ARMoured 16 CKT CONNECTOR ORANGE CABLE |
| 931756012     | 38000 | 75    | 17.7  | BLACK ARMoured 16 CKT CONNECTOR ORANGE CABLE |

| PIN     | COLOR               | COLOR        |
|---------|---------------------|--------------|
| 1       | WHITE/ORANGE        | WH/OG        |
| 2       | BROWN               | BN           |
| 3       | BLUE                | BU           |
| 4       | WHITE               | WH           |
| 5       | RED                 | RD           |
| 6       | BROWN/BLUE          | BN/BU        |
| 7       | BLACK               | BK           |
| 8       | BROWN/GRAY          | BN/GY        |
| 9       | ORANGE/GRAY         | OG/GY        |
| 10      | RED/BLUE            | RD/BU        |
| 11      | ORANGE              | OG           |
| 12      | GRAY                | GY           |
| 13      | VIOLET              | VT           |
| 14      | PINK                | PK           |
| 15      | RED/GRAY            | RD/GY        |
| 16(GND) | BLACK/VIOLET+SHIELD | BK/VT+SHIELD |



16 CIRCUIT WIRE LAYOUT  
CONNECTOR FRONT VIEW



MALE POLE PLUG CONNECTOR  
16 CIRCUIT

| PART NUMBER | DIM A | DIM B | DIM C | DESCRIPTION                                  |
|-------------|-------|-------|-------|--|
| 931755001   | 1000  | 75    | 17.7  | BLACK ARMoured 16 CKT CONNECTOR ORANGE CABLE |
| 931755002   | 2000  | 75    | 17.7  | BLACK ARMoured 16 CKT CONNECTOR ORANGE CABLE |
| 931755003   | 3000  | 75    | 17.7  | BLACK ARMoured 16 CKT CONNECTOR ORANGE CABLE |
| 931755009   | 4000  | 75    | 17.7  | BLACK ARMoured 16 CKT CONNECTOR ORANGE CABLE |
| 931755004   | 5000  | 75    | 17.7  | BLACK ARMoured 16 CKT CONNECTOR ORANGE CABLE |
| 931755008   | 6000  | 75    | 17.7  | BLACK ARMoured 16 CKT CONNECTOR ORANGE CABLE |
| 931755005   | 10000 | 75    | 17.7  | BLACK ARMoured 16 CKT CONNECTOR ORANGE CABLE |
| 931755006   | 15000 | 75    | 17.7  | BLACK ARMoured 16 CKT CONNECTOR ORANGE CABLE |
| 931755010   | 1000  | 75    | 17.7  | RED ARMoured 16 CKT CONNECTOR ORANGE CABLE   |
| 931755011   | 2000  | 75    | 17.7  | RED ARMoured 16 CKT CONNECTOR ORANGE CABLE   |
| 931755012   | 3000  | 75    | 17.7  | RED ARMoured 16 CKT CONNECTOR ORANGE CABLE   |
| 931755013   | 4000  | 75    | 17.7  | RED ARMoured 16 CKT CONNECTOR ORANGE CABLE   |
| 931755007   | 5000  | 75    | 17.7  | RED ARMoured 16 CKT CONNECTOR ORANGE CABLE   |
| 931755014   | 10000 | 75    | 17.7  | RED ARMoured 16 CKT CONNECTOR ORANGE CABLE   |
| 931755015   | 15000 | 75    | 17.7  | RED ARMoured 16 CKT CONNECTOR ORANGE CABLE   |

NOTES:

- FOR ALL OTHER DIMENSIONS AND SPECIFICATIONS PLEASE SEE SHEET 1
- EARTH POSITION
- NUMBERED WIRE POSITION

INSPECTION NUMBERS 30 TO 39 USED  
LAST INSPECTION NUMBER USED 35

|   |         |  |            |
|---|---------|--|------------|
| THIS DRAWING CONTAINS INFORMATION THAT IS PROPRIETARY TO MOLEX ELECTRONIC TECHNOLOGIES, LLC AND SHOULD NOT BE USED WITHOUT WRITTEN PERMISSION |         |  |            |
| DIMENSION UNITS   | SCALE   | CURRENT REV DESC: OBSOLETE PART NUMBER   |            |
| mm  | 1:1     | <p>PASSIVE SAFETY CONNECTOR<br/>ARMoured &amp; UN-ARMoured</p> <p>PRODUCT CUSTOMER DRAWING</p> |            |
| GENERAL TOLERANCES (UNLESS SPECIFIED)   |         |  |            |
|   | MM INCH |  |            |
| 4 PLACES ±  | ±       |  |            |
| 3 PLACES ±  | ±       |  |            |
| 2 PLACES ±  | 0.5 ±   | EC NO: 643720  | 2020/07/02 |
| 1 PLACE ±   | 1.0 ±   | DRWN: AKUMAR19   | 2020/08/27 |
| 0 PLACES ±  | 5.0 ±   | CHK'D: GGA   | 2020/08/27 |
| ANGULAR TOL ±   | 2.0 °   | APPR: GGA  | 2020/08/27 |
| DRAFT WHERE APPLICABLE MUST REMAIN WITHIN DIMENSIONS  |         | INITIAL REVISION:  |            |
| THIRD ANGLE PROJECTION  |         | DRWN: D MAHER  | 2008/10/30 |
| DRAWING   |         | APPR: EFOLAN   | 2010/10/21 |
| SERIES  |         | DOCUMENT NUMBER  |            |
| A1-SIZE 93175   |         | SD-93175-001   |            |
| MATERIAL NUMBER   |         | DOC TYPE   | DOC PART   |
| SEE TABLE   |         | PSD  | 001        |
| CUSTOMER  |         | REVISION   |            |
| GENERAL MARKET  |         | T  |            |
| SHEET NUMBER  |         | 5 OF 5   |            |