

02510SS

DC Axial Fan Sleeve Bearing

25[□]X10^L

DC FAN

General purpose

Industrial

Server

Refrigerator

Blower



General Specifications

Motor Protection Auto Restart / Polarity Protection

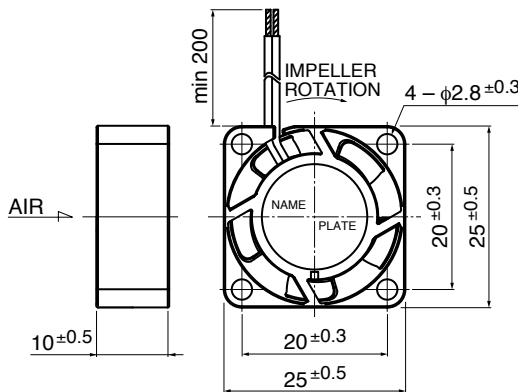
Insulation Resistance 10MΩ or over with a DC500V Megger

Dielectric Withstand Voltage : AC700V 1s

Allowable Ambient : - 10°C ~ +70°C (Operating)

Temperature Range - 40°C ~ +70°C (Storage)
non-condensing environment

Outline



Expected Life

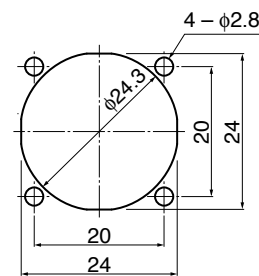
※ Failure Rate: 10% (L10 Life)

40°C 30,000 (Hours)

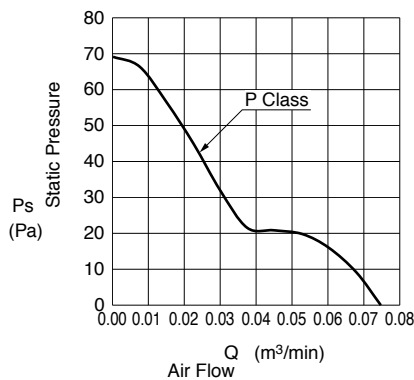
Panel Out-cuts

(Inlet Side)

(Outlet Side)



Characteristic Curves



Material

Casing : Plastic (Black) UL94V-0
 Impeller : Plastic (Black) UL94V-0
 Bearing : Sleeve Bearing
 Lead Wire : UL1061 AWG26 + : Red, - : Black

Specifications

Model	Product No.	Rating Voltage	Operating Voltage	Current	Input Power	Speed	Max. Air Flow		Max. Static Pressure	Noise	Mass	
		(V)	(V)	(A)*1	(W)*1	(min ⁻¹)*1	(m³/min)*1	(CFM)*1	(Pa)*1	(In H ₂ O)*1	(dB)*1	(g)
02510SS-05P-AA-	00	5	4.5 ~ 5.5	0.18	0.90	13000	0.075	2.65	68.0	0.27	28.5	8
02510SS-12P-AA-	00	12	6 ~ 13.8	0.07	0.84	13000	0.075	2.65	68.0	0.27	28.5	

Rotation: Clockwise as seen from the label side
 Airflow Outlet: Label side

*1: Average Values in Free Air