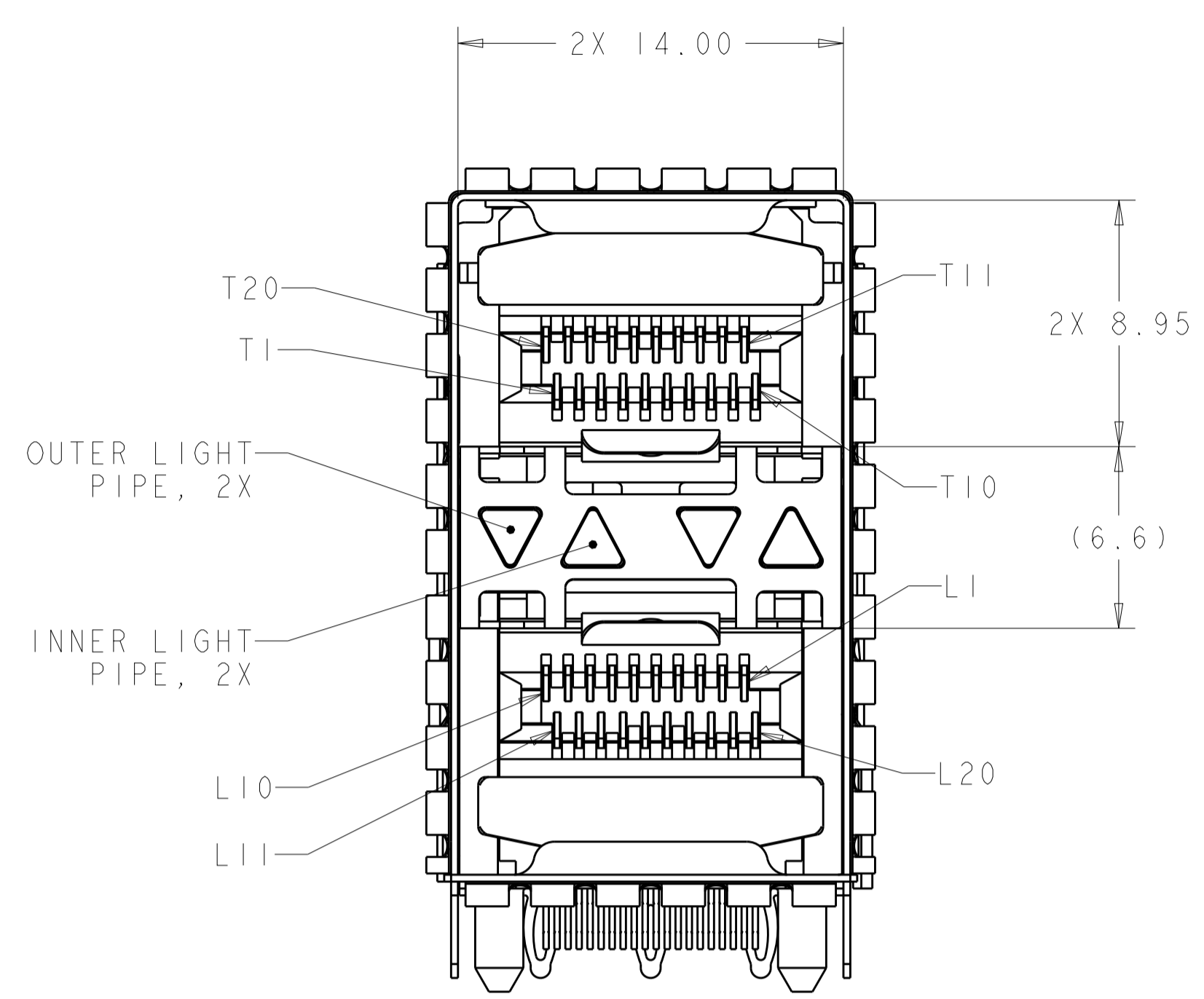
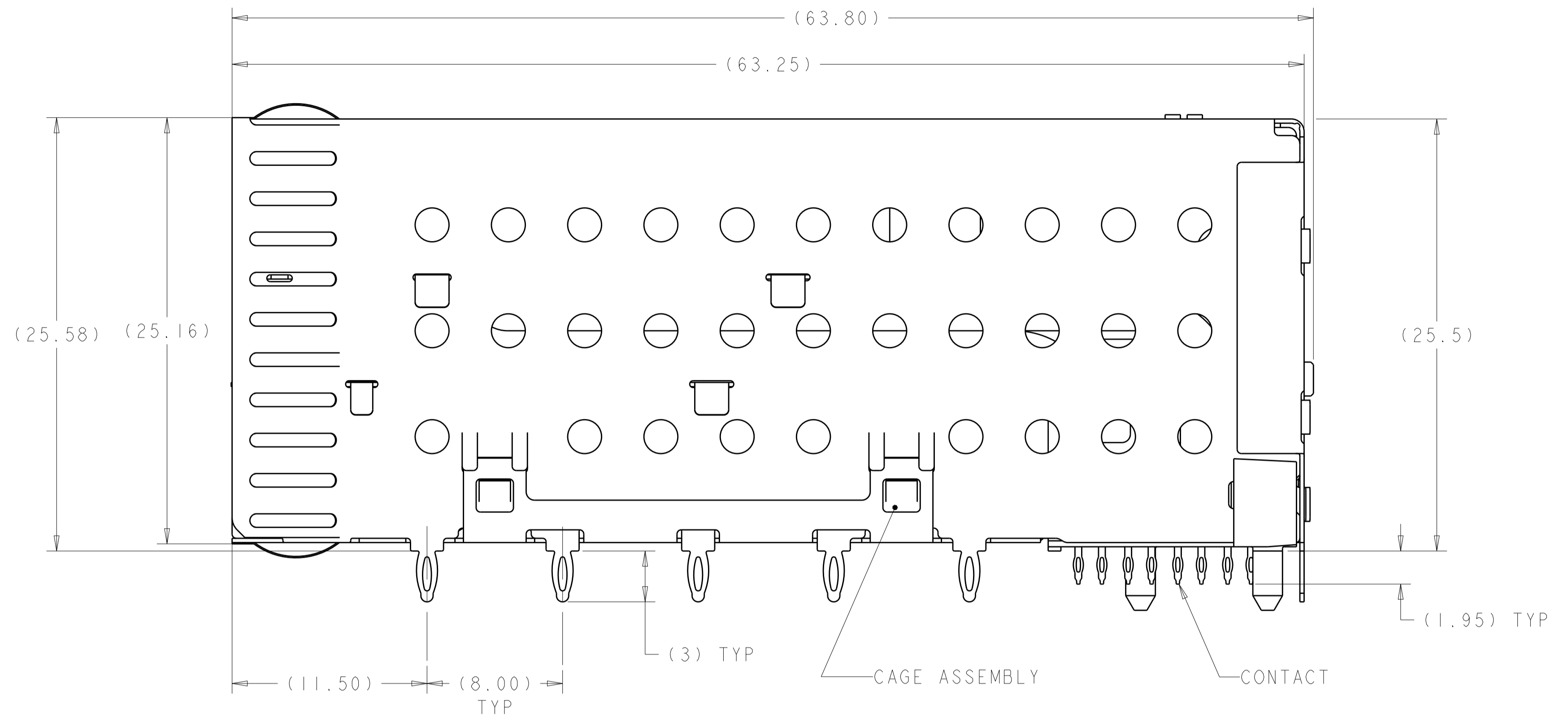


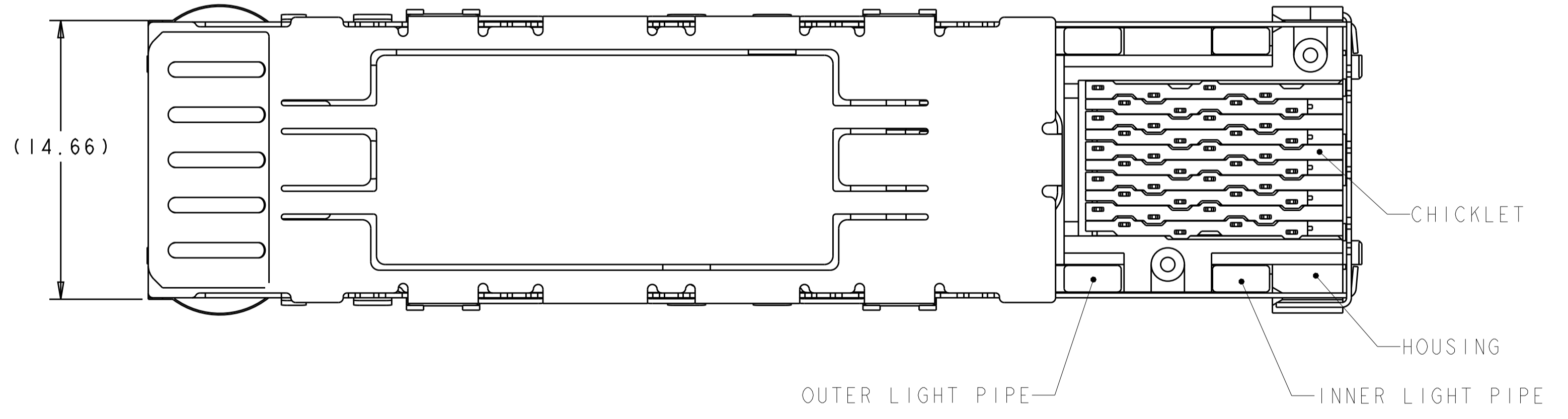
LOC	DIST	REVISIONS					
		P	LTN	DESCRIPTION	DATE	DWN	APVD
GP	00	A		PRODUCTION RELEASE	09OCT2016	JW	SH
		B		EMI SPRING TO 'U' TYPE	14JAN2020	IT	SH



2170409-5 AS SHOWN



EMI SPRING



- 1 MATERIALS:
 CAGE ASSEMBLY- NICKEL SILVER ALLOY PER ASTM B 122.
 EMI SPRING- COPPER ALLOY.
 HOUSING- BLACK LCP, UL 94V-0 RATED.
 CHICKLET- BLACK LCP, UL 94V-0 RATED.
 LIGHT PIPE- POLYCARBONATE, CLEAR, UL 94V-2 RATED.
 INSERT - (FOR LIGHT PIPE PART NUMBERS ONLY) - PBT, BLACK, UL 94V-0.
 CONTACT- COPPER ALLOY.
- 2 DATUM AND BASIC DIMENSIONS ESTABLISHED BY CUSTOMER.
- 3. MINIMUM PCB THICKNESS OF 1.5.
- 4 CONTACT FINISH- CONFORMS TO THE REQUIREMENTS OF TE CONNECTIVITY PRODUCT SPECIFICATION 108-2331, BASED ON EIA/ECA-364-1000.01A, (CONTROLLED ENVIRONMENT APPLICATIONS) ON MATING INTERFACE, TIN-LEAD ON NEEDLE EYE.
- 5 CONTACT FINISH- CONFORMS TO THE REQUIREMENTS OF TE CONNECTIVITY PRODUCT SPECIFICATION 108-2331, BASED ON EIA/ECA-364-1000.01A, (CONTROLLED ENVIRONMENT APPLICATIONS) ON MATING INTERFACE, TIN ON NEEDLE EYE.
- 6 FOR HOLE SIZE AND PLATINGS, SEE APPLICATION SPEC 114-13219.
- 7 THE ENTIRE AREA OF THE CONNECTOR FOOTPRINT, INDICATED BY THE DASHED LINE, TO BE CONSIDERED THE KEEPOUT AREA FOR COMPONENTS AND SIGNAL TRACES, TOP SIDE ONLY. TOP SIDE TRACES ALLOWED WITHIN CONNECTOR HOLE PATTERN.
- 8 LIGHT PIPE PAD LAYOUT IS FOR 0805 LOW PROFILE LED PACKAGE WITH A HEIGHT OF 0.8mm.
- 9 EMI SPRING FINISH: 1.27µm MINIMUM NICKEL PLATING, NONPLATED EDGES PERMISSIBLE.

FINISH	DESCRIPTION	PART NUMBER
5	NO LIGHT PIPES	2170409-8
	OUTER 2 LIGHT PIPES	2170409-7
	INNER 2 LIGHT PIPES	2170409-6
	4 LIGHT PIPES	2170409-5

THIS DRAWING IS A CONTROLLED DOCUMENT.

DIMENSIONS: mm

TOLERANCES UNLESS OTHERWISE SPECIFIED:

0 PLC	±0.25
1 PLC	±0.25
2 PLC	±0.25
3 PLC	±0.25
4 PLC	±0.25
ANGLES	±°

MATERIAL FINISH

1 4 5 9

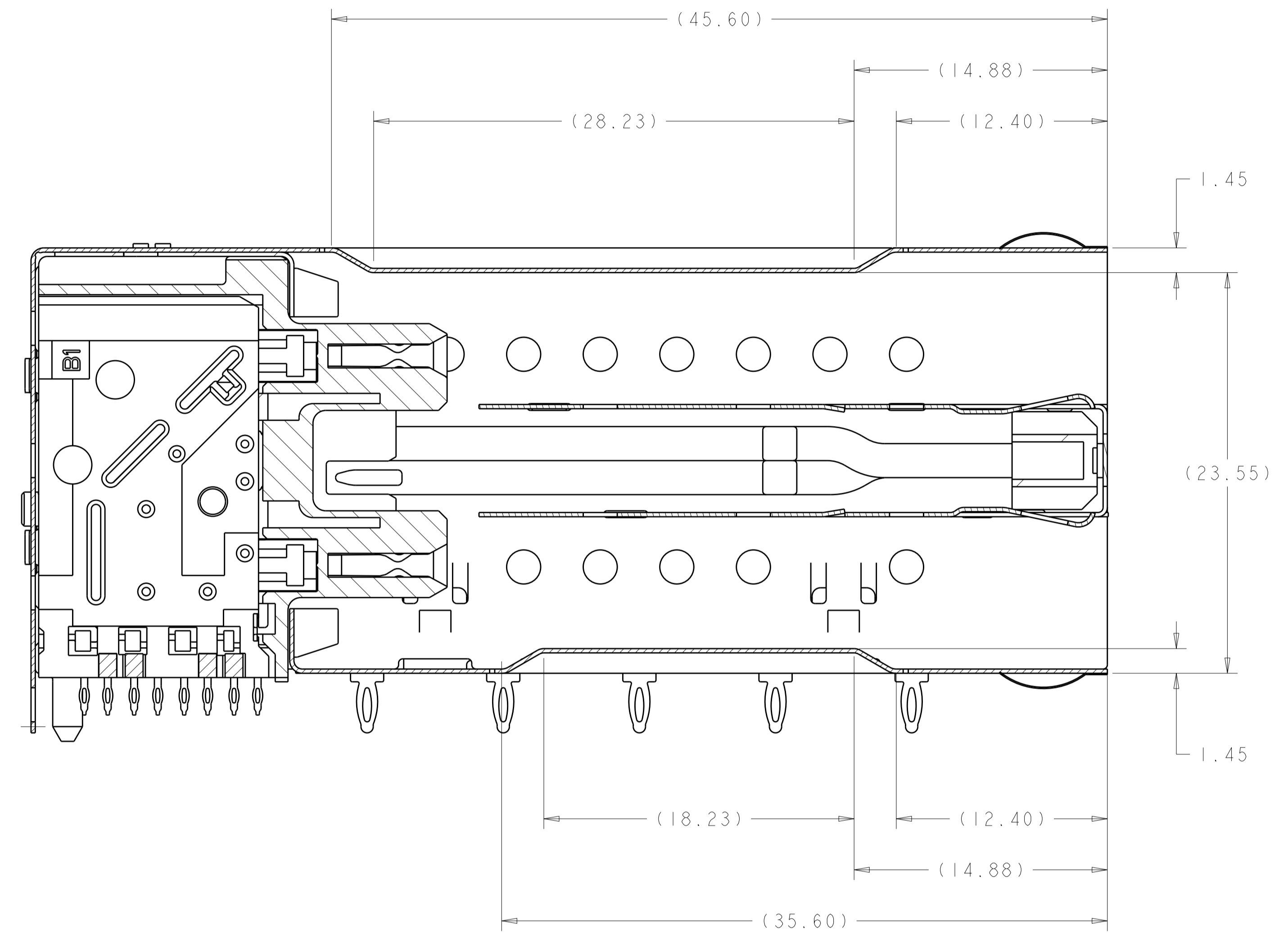
THIS DRAWING IS A CONTROLLED DOCUMENT. DWN: TIM XUE 02NOV2012, CHK: ALEX CAI 02NOV2012, APVD: ALEX CAI 02NOV2012

NAME: CAGE AND PT CONNECTOR ASSEMBLY, WITH EMI SPRINGS, PRESS FIT, 2X1, STACKED SFP+

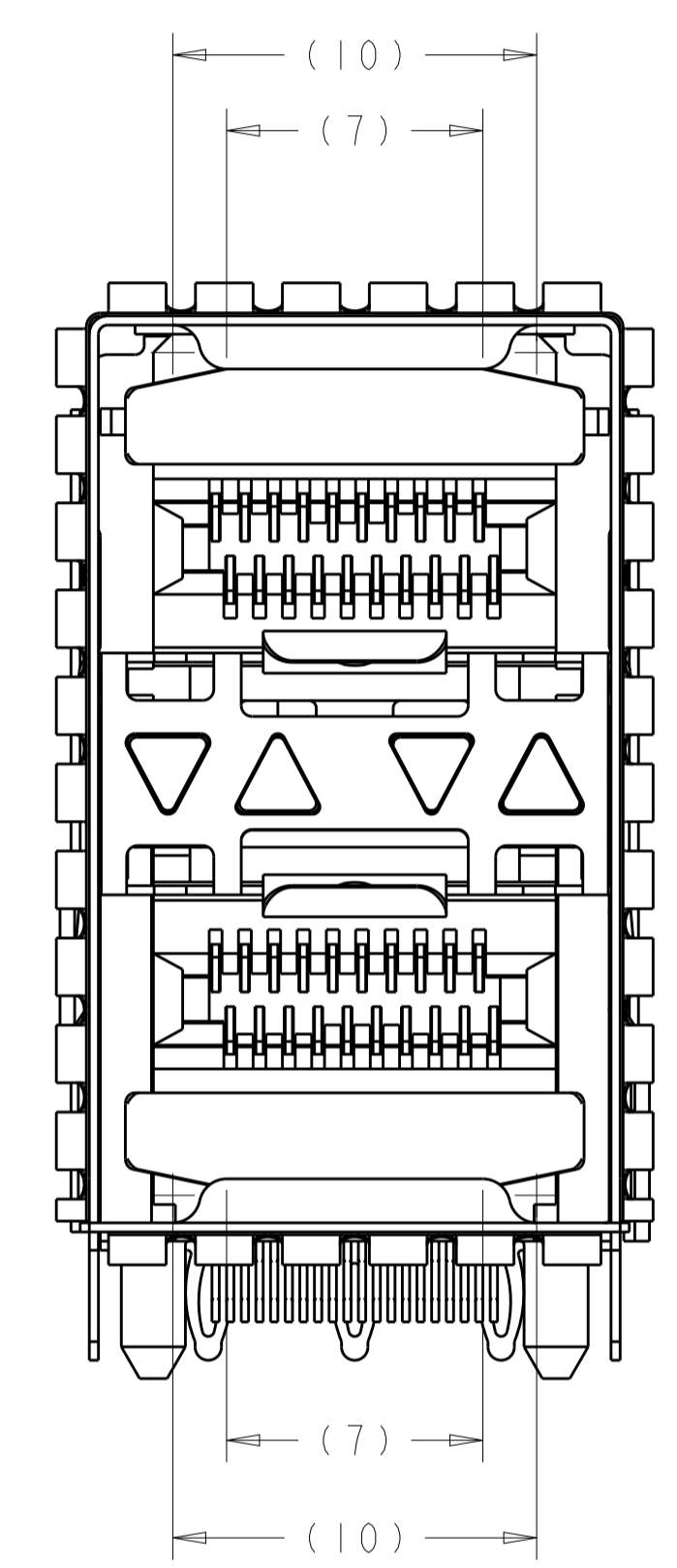
SIZE: 114-13219, CAGE CODE: 114-13219, DRAWING NO: A100779, C=2170409

RESTRICTED TO: CUSTOMER DRAWING, SCALE: 5:1, SHEET: 1 OF 5, REV: B

LOC		DIST		REVISIONS			
P	LYR	DESCRIPTION	DATE	DWN	APVD		
-	-	SEE SHEET 1	-	-	-		

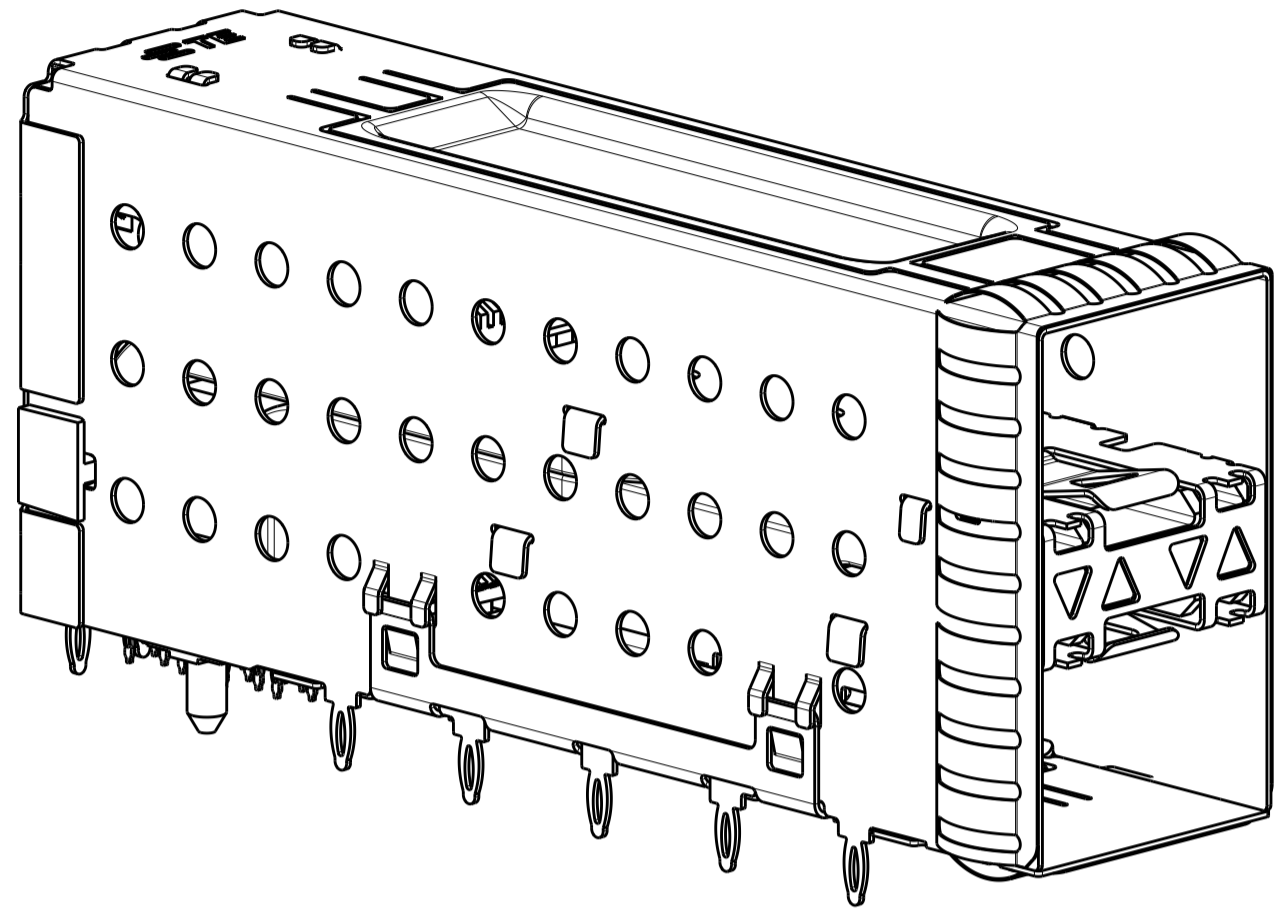


SECTION X-X

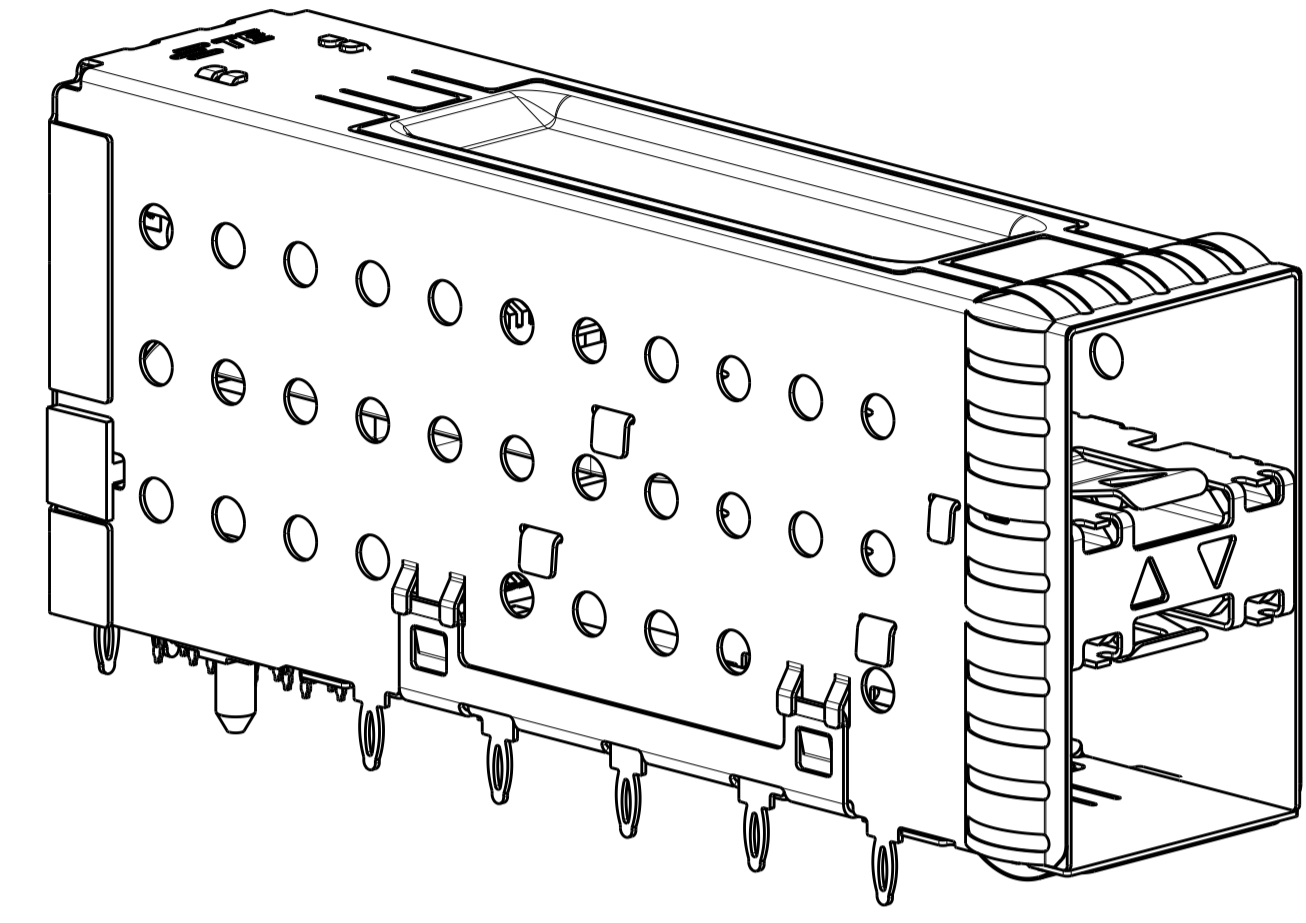


THIS DRAWING IS A CONTROLLED DOCUMENT.		DWN	TIM XUE	02NOV2012	TE Connectivity
DIMENSIONS:		CHK	ALEX CAI	02NOV2012	
mm	TOLERANCES UNLESS OTHERWISE SPECIFIED:	APVD	ALEX CAI	02NOV2012	
	0 PLC ±0.25	PRODUCT SPEC			
	1 PLC ±0.25	108-2331			
	2 PLC ±0.25	APPLICATION SPEC			
	3 PLC ±0.25	114-13219			
	4 PLC ±	WEIGHT			
	ANGLES ±	CUSTOMER DRAWING			
	FINISH	SCALE	5:1	SHEET 2 OF 5	
MATERIAL		SIZE	A100779	DRAWING NO	REV B
		RESTRICTED TO			
		NAME	CAGE AND PT CONNECTOR ASSEMBLY, WITH EMI SPRINGS, PRESS FIT, 2X1, STACKED SFP+		
		SIZE	CAGE CODE	DRAWING NO	

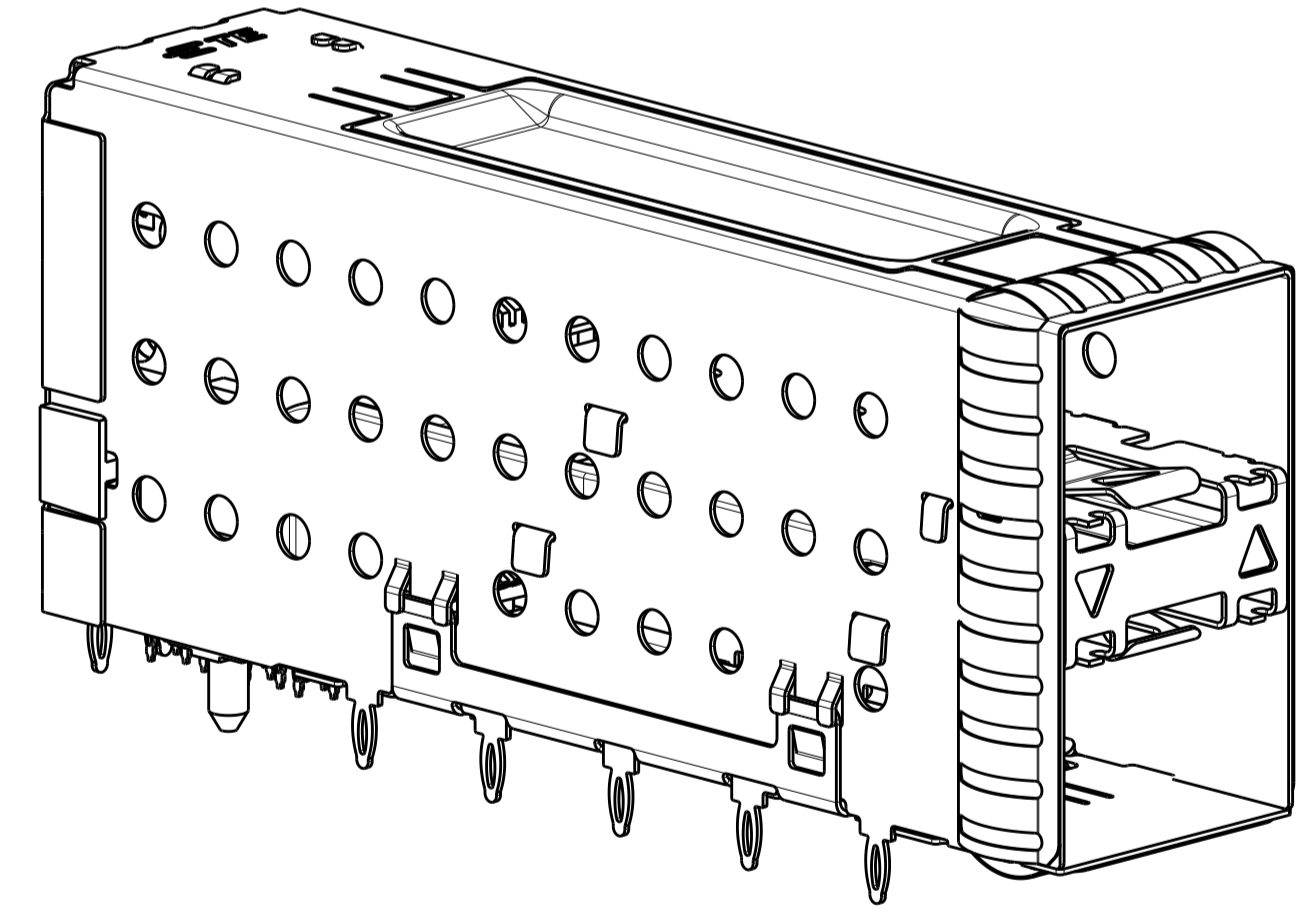
LOC		DIST		REVISIONS			
GP	00	P	LYR	DESCRIPTION	DATE	DWN	APVD
		-		SEE SHEET 1			



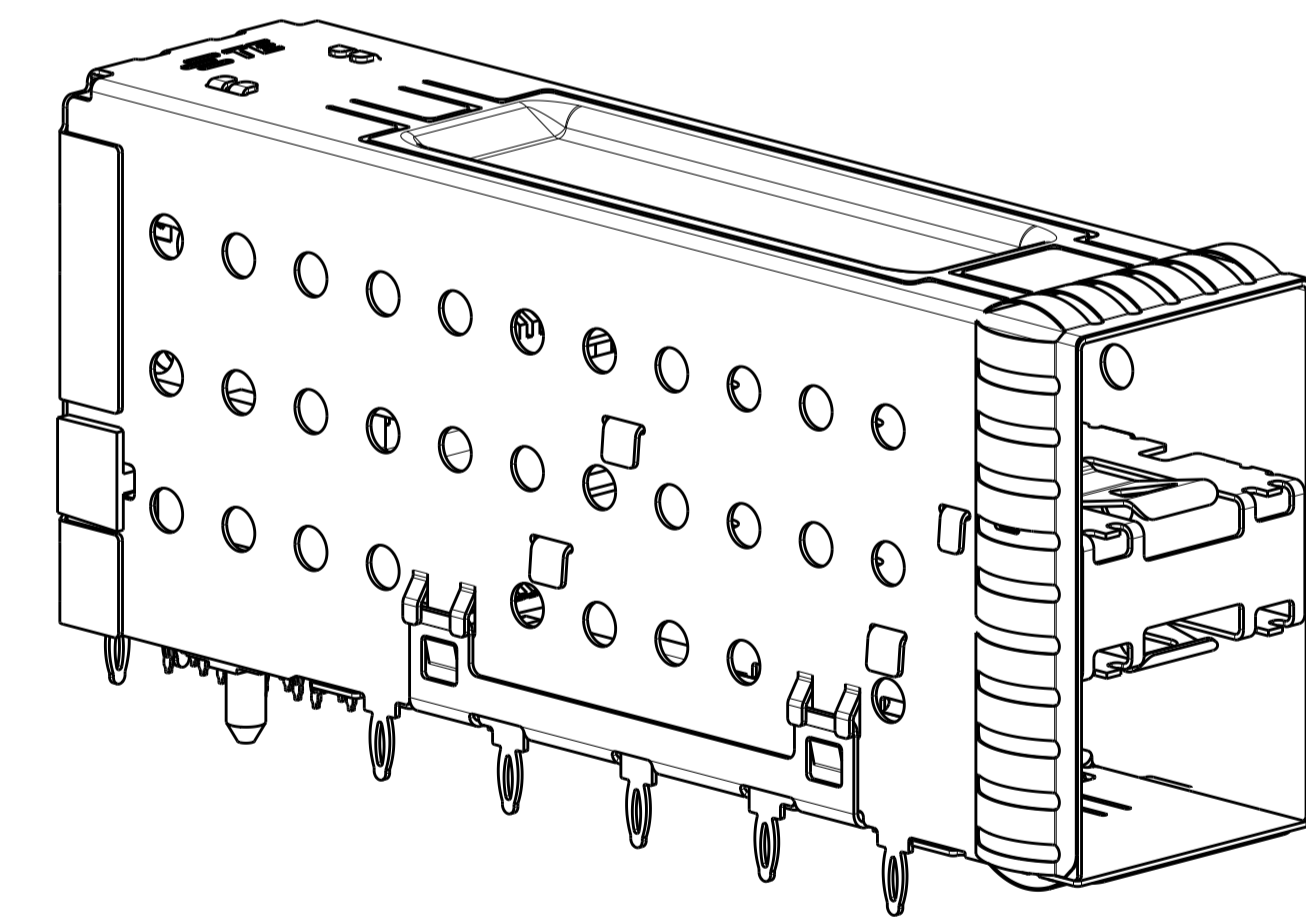
2170409-5
SCALE 3:1



2170409-6
SCALE 3:1



2170409-7
SCALE 3:1



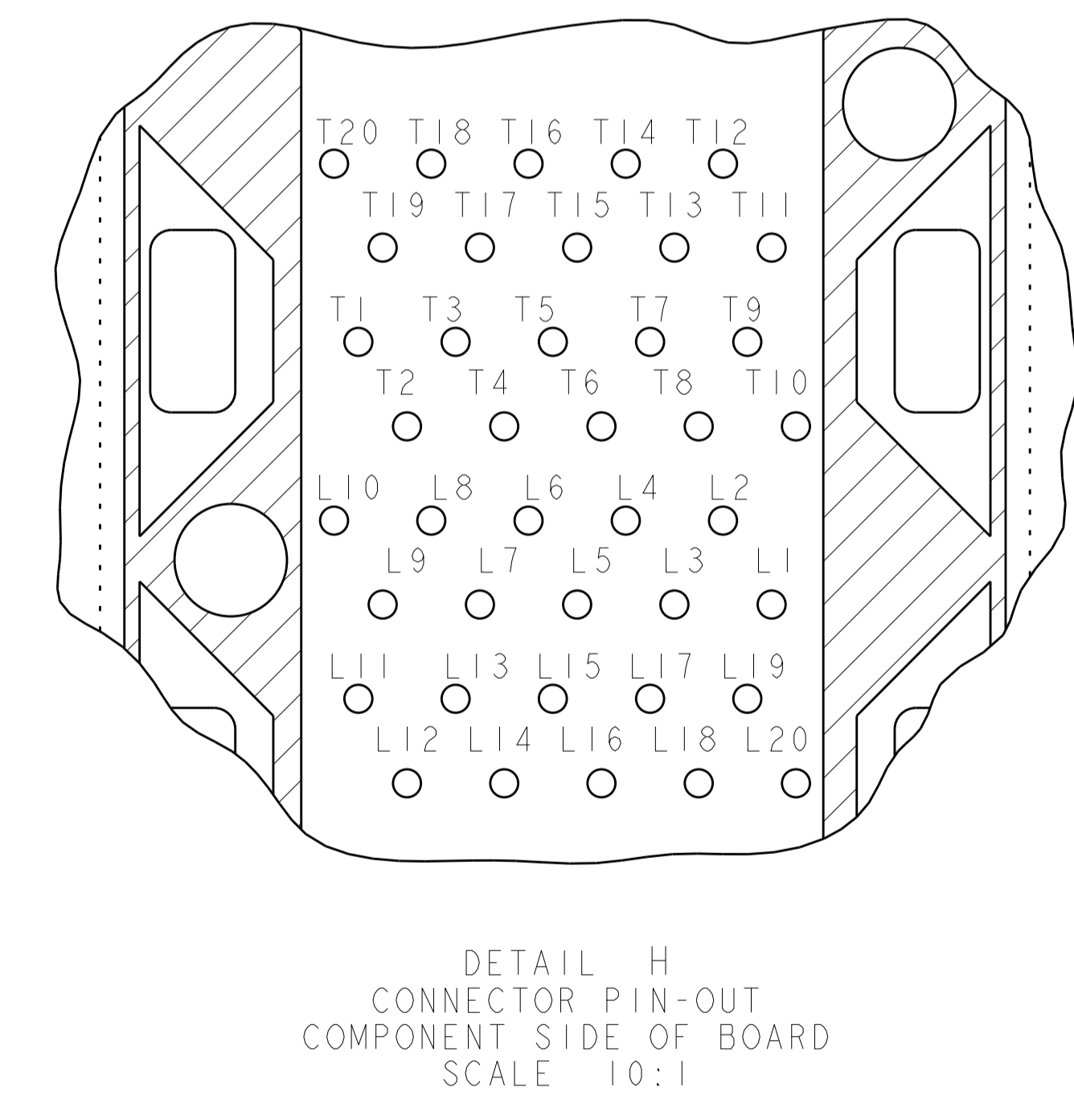
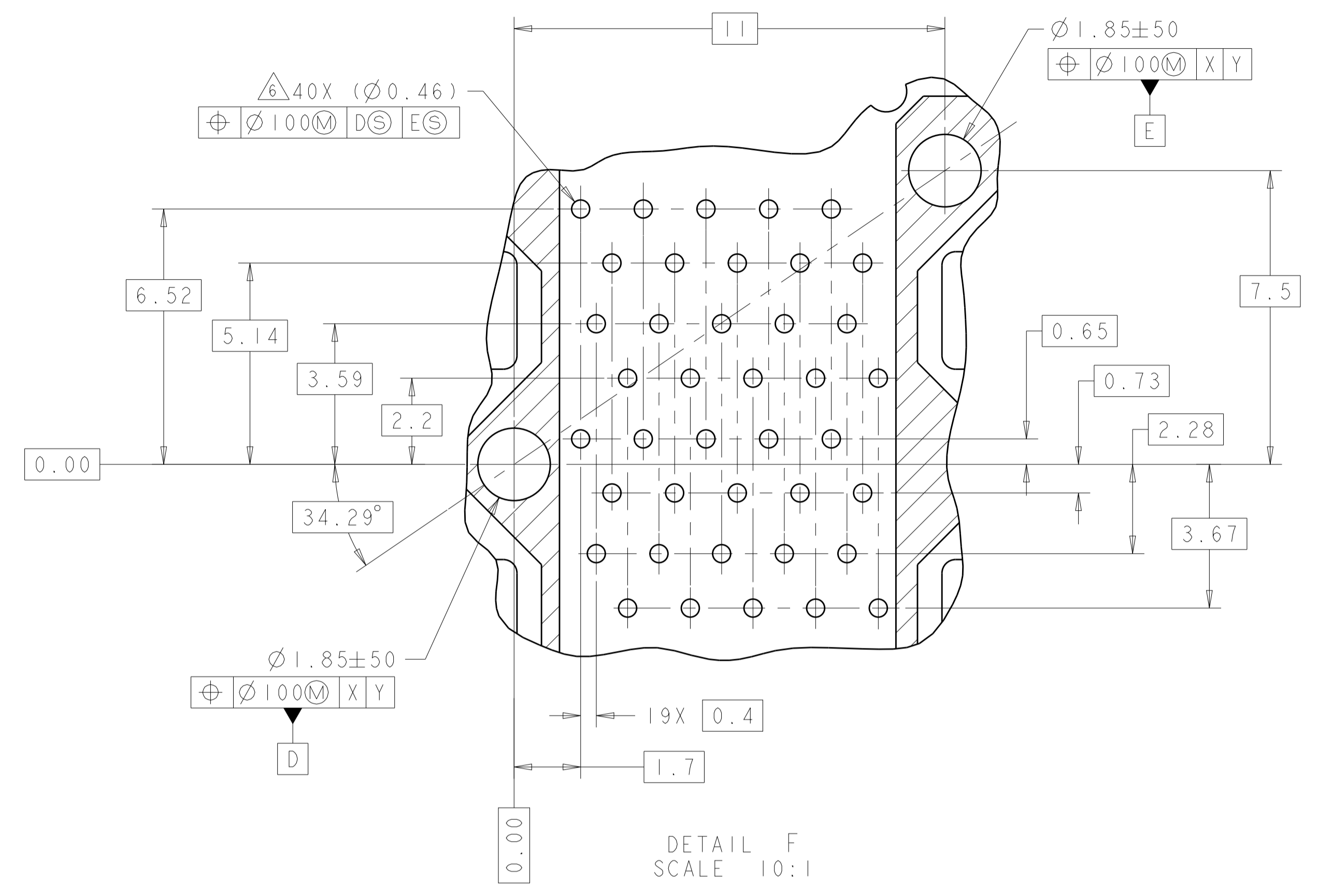
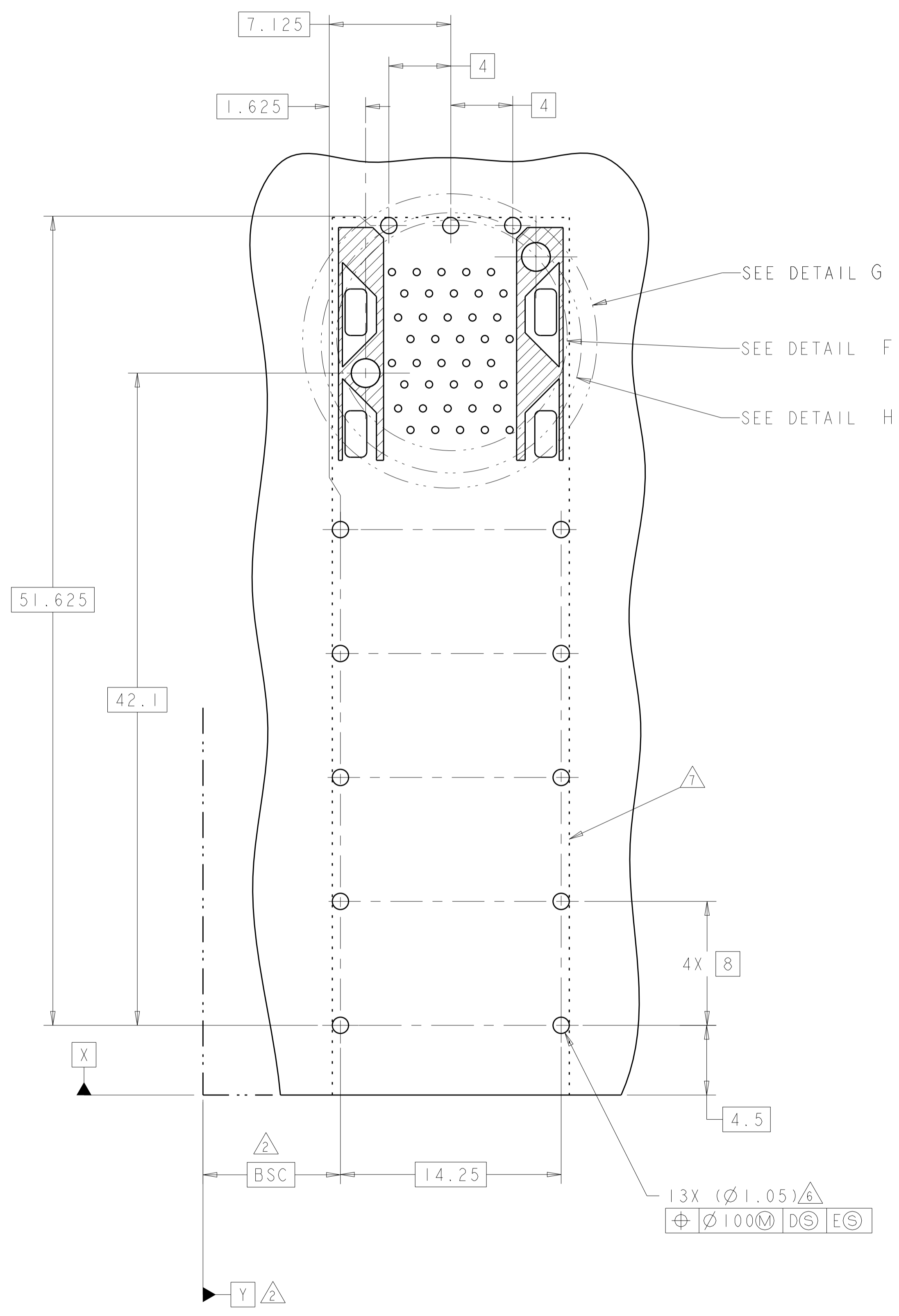
2170409-8
SCALE 3:1

THIS DRAWING IS A CONTROLLED DOCUMENT.		DWN	TIM XUE	02NOV2012	 TE Connectivity
DIMENSIONS:		CHK	ALEX CAI	02NOV2012	
TOLERANCES UNLESS OTHERWISE SPECIFIED:		APVD	ALEX CAI	02NOV2012	
mm		PRODUCT SPEC			
0 PLC	±	108-2331			NAME CAGE AND PT CONNECTOR ASSEMBLY, WITH EMI SPRINGS, PRESS FIT, 2X1, STACKED SFP+
1 PLC	±0.25	APPLICATION SPEC			
2 PLC	±0.20	114-13219			SIZE
3 PLC	±0.10	WEIGHT			CAGE CODE
4 PLC	±"	CUSTOMER DRAWING			DRAWING NO
ANGLES	±"				RESTRICTED TO
FINISH					

A100779C=2170409

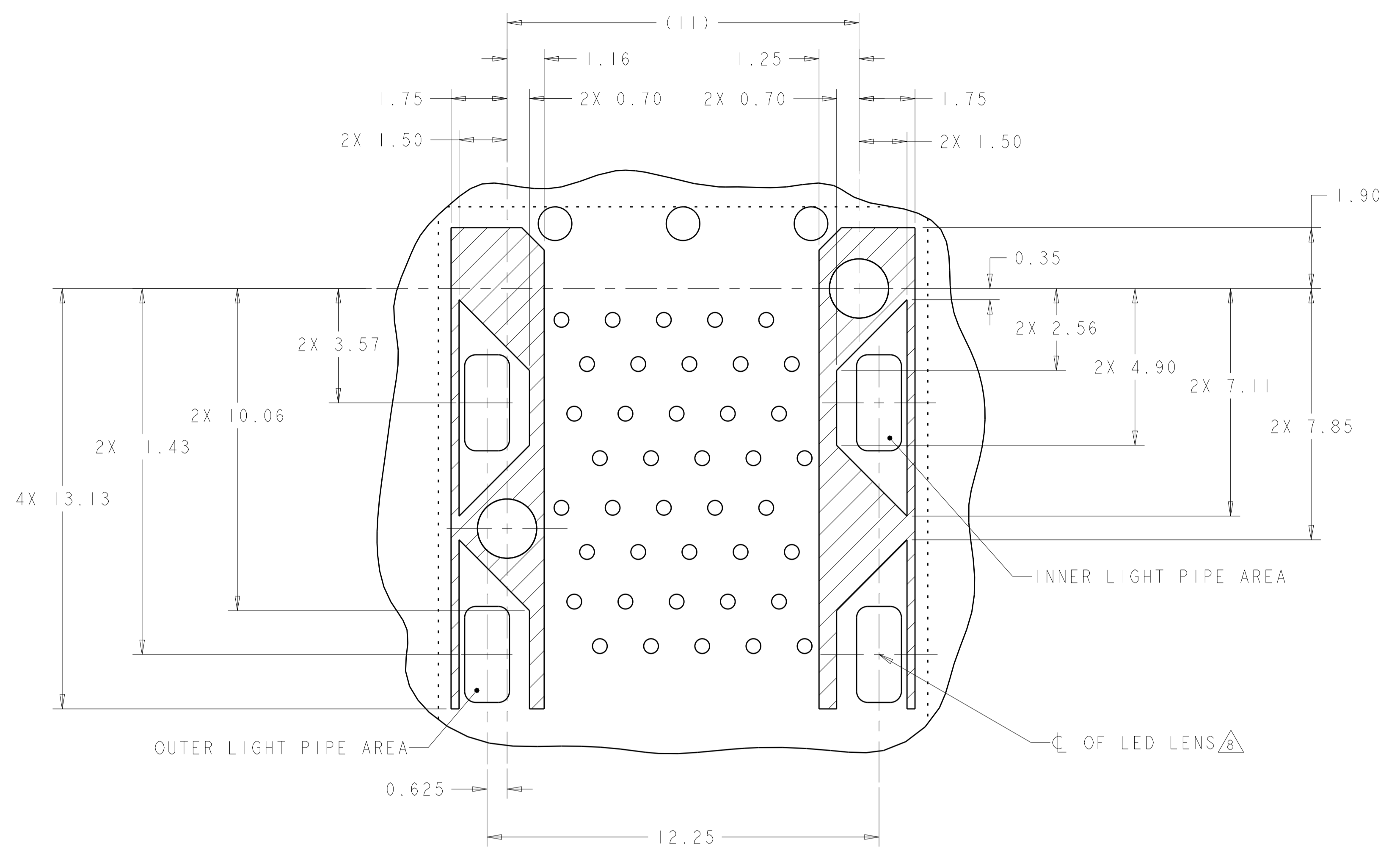
SCALE 5:1 SHEET 3 OF 5 REV B

LOC	DIST	REV	DATE	APPD
GP	00			
REVISIONS				

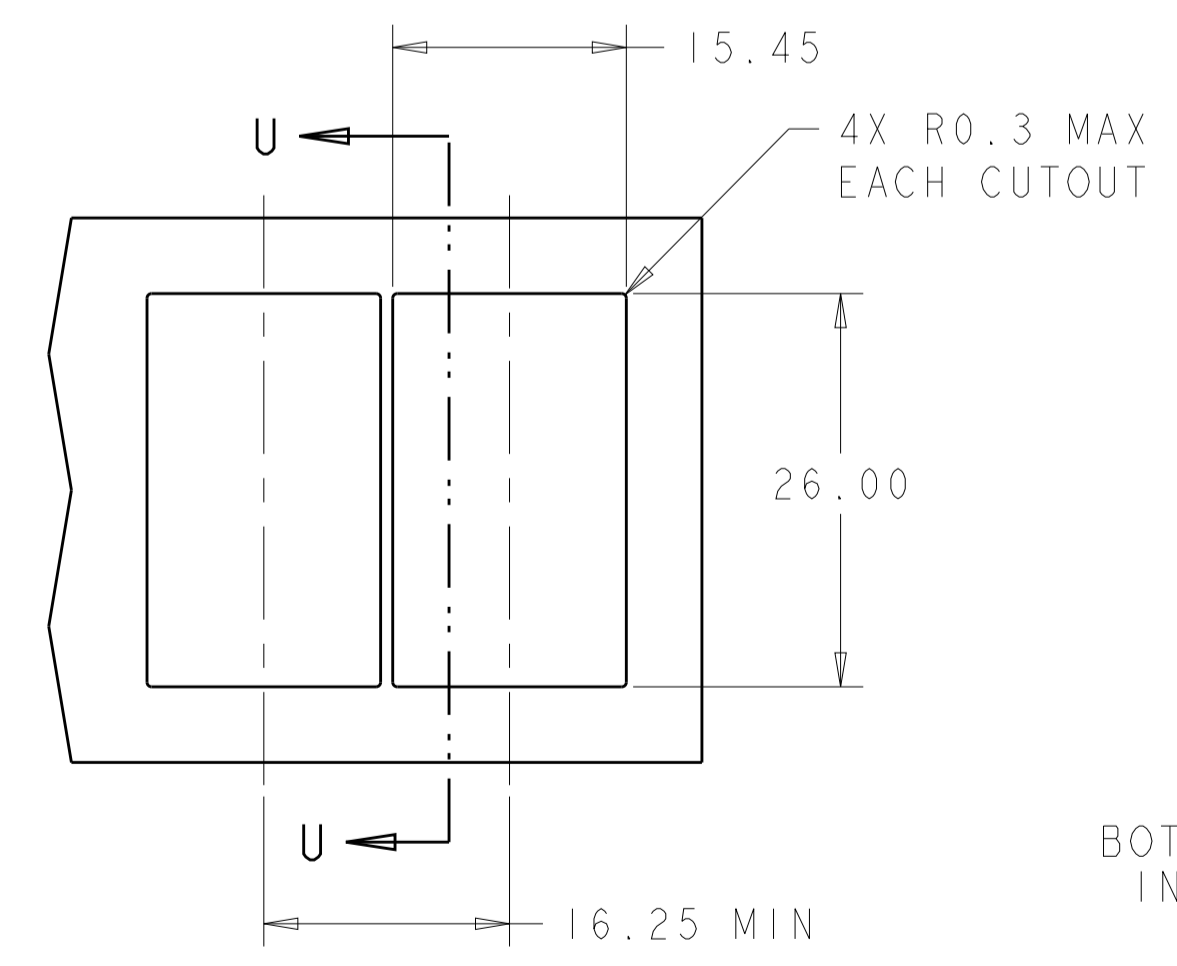


THIS DRAWING IS A CONTROLLED DOCUMENT.		OWN: TIM XUE 02NOV2012	TE Connectivity
DIMENSIONS: mm		CHK: ALEX CAI 02NOV2012	
TOLERANCES UNLESS OTHERWISE SPECIFIED:		APPD: ALEX CAI 02NOV2012	NAME: CAGE AND PT CONNECTOR ASSEMBLY, WITH EMI SPRINGS, PRESS FIT, 2X1, STACKED SFP+
0 PLC ±0.20	1 PLC ±0.15	PRODUCT SPEC: 108-2331	SIZE: A100779C=2170409
2 PLC ±0.10	3 PLC ±0.10	APPLICATION SPEC: 114-13219	RESTRICTED TO: -
4 PLC ±0.10	ANGLES ±°	WEIGHT: -	SCALE: 5:1 SHEET 4 OF 5 REV B
MATERIAL: FINISH: -		CUSTOMER DRAWING	

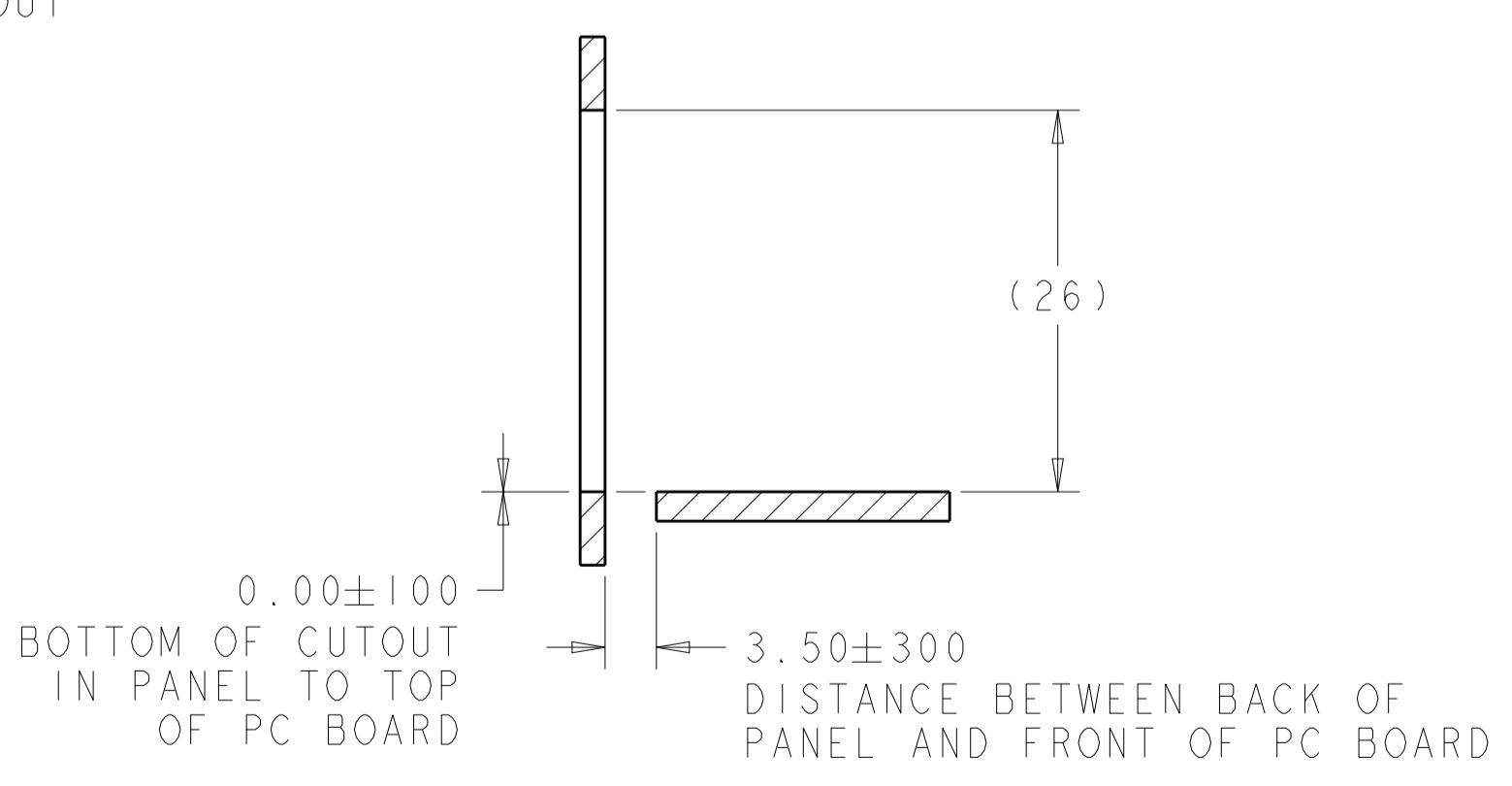
LOC		DIST		REVISONS			
GP	00	P	LTN	DESCRIPTION	DATE	DWN	APVD
		-		SEE SHEET 1			



DETAIL G
 CONNECTOR HOUSING
 KEEPOUT ZONE
 SCALE 10:1



RECOMMENDED PANEL CUTOUT
 AND PC BOARD, PANEL POSITION
 SCALE 2:1



SECTION U-U

THIS DRAWING IS A CONTROLLED DOCUMENT.		DWN: TIM XUE 02NOV2012	TE Connectivity
DIMENSIONS:		CHK: ALEX CAI 02NOV2012	
mm		APVD: ALEX CAI 02NOV2012	
0 PLC ± 1 PLC ±0.20 2 PLC ±0.15 3 PLC ±0.10 4 PLC ± ANGLES ±		NAME: CAGE AND PT CONNECTOR ASSEMBLY, WITH EMI SPRINGS, PRESS FIT, 2X1, STACKED SFP+ PRODUCT SPEC: 108-2331 APPLICATION SPEC: 114-13219 WEIGHT: - CUSTOMER DRAWING	
MATERIAL: - FINISH: -		SIZE: A1 CAGE CODE: - DRAWING NO: 2170409 SCALE: 5:1 SHEET: 5 OF 5 REV: B	RESTRICTED TO