

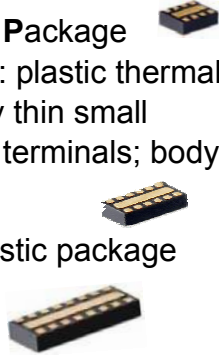
# At a glance

## IP425xCZ8-4/CZ12-6/CZ16-8

Nov. 2008

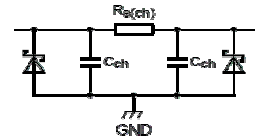
### Package

- ▶ **Ultra Thin Leadless Package** (UTLP) - HXSON12: plastic thermal enhanced extremely thin small outline package; 12 terminals; body 1.35 x 2.5 x 0.5 mm
- ▶ QFN compatible plastic package with 0.4 mm pitch



### Key features

- ▶ IP425xCZ8/CZ12/CZ16: 40; 100; 200  $\Omega$  channel series resistance, 30 pF (at 2.5 V DC) channel capacitance network
- ▶ 4-, 6- and 8-channel integrated p-type RC filter



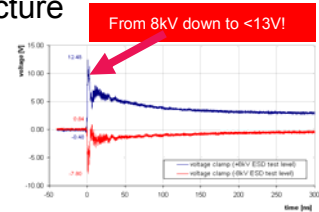
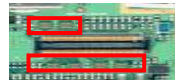
### Applications

General purpose Electro Magnetic Interference (EMI) & Radio-Frequency Interference (RFI) filtering & downstream ESD protection for:

- ▶ Cellular & Personal Communication System (PCS) mobile handsets, PDAs
- ▶ Wireless data (WAN/LAN) systems,
- ▶ Cordless telephones

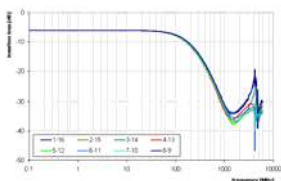
### Advantages

- ▶ 4-, 6- and 8- channel product for maximum flexibility
- ▶ Very low clamping voltage due to pi-filter structure
- ▶ Easy routing



### Technical details

- ▶ Over 30dB attenuation between 800MHz and 2GHz



- ▶ Up to 30kV ESD protection according IEC61000-4-2

### Additional resources

**Check datasheet:**

[http://www.nxp.com/pip/IP4253\\_54\\_CZ8\\_CZ12\\_CZ16\\_2.html](http://www.nxp.com/pip/IP4253_54_CZ8_CZ12_CZ16_2.html)

**Order at sample store:**

[www.nxp.com](http://www.nxp.com)



**Any questions about the new product? Please contact:**

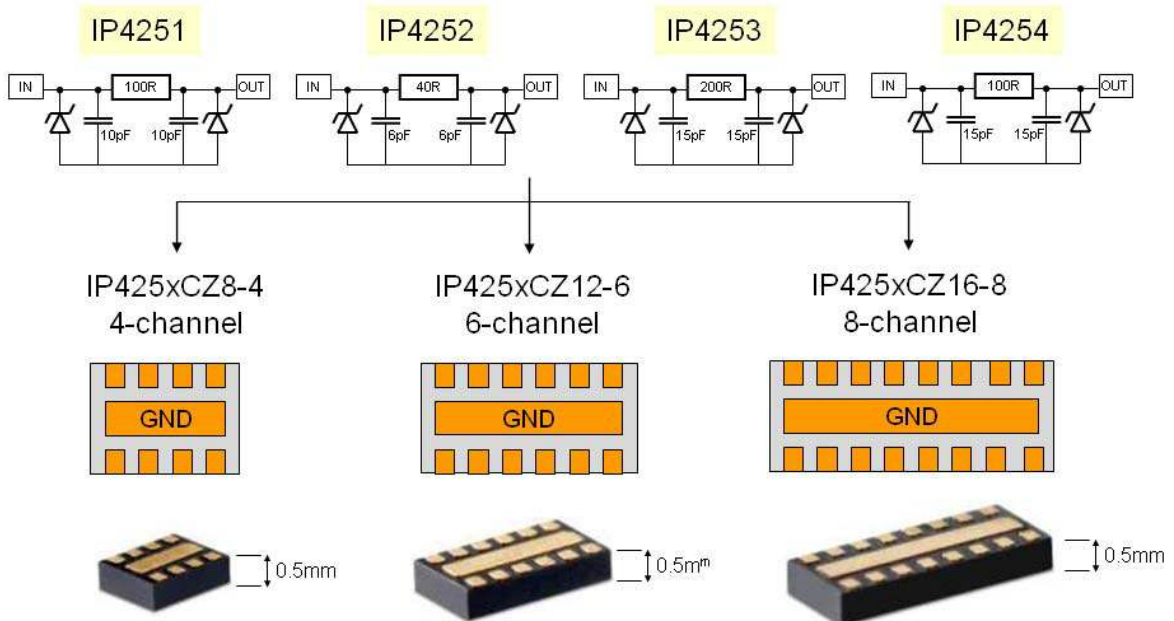
[Cuong.Vuong@nxp.com](mailto:Cuong.Vuong@nxp.com)

# IP425x Family

## ... IP425xCZ8-4/CZ12-6/CZ16-8

Product	Package Suffix		No. of Channels	Resistance (typ.)	Capacitance (typ.) @ 2.5V	Capacitance (typ.) @ 0V	Width (mm)	Length (mm)	Height (mm)
IP4251	CZ8-4	8-pin	4	100 Ω	10 pF	15 pF	1.4	1.75	0.50
	CZ12-6	12-pin	6				1.4	2.55	0.50
	CZ16-8	16-pin	8				1.4	3.35	0.50
IP4252	CZ8-4	8-pin	4	40 Ω	12 pF	18 pF	1.4	1.75	0.50
	CZ12-6	12-pin	6				1.4	2.55	0.50
	CZ16-8	16-pin	8				1.4	3.35	0.50
IP4253	CZ8-4	8-pin	4	200 Ω	30 pF	45 pF	1.4	1.75	0.50
	CZ12-6	12-pin	6				1.4	2.55	0.50
	CZ16-8	16-pin	8				1.4	3.35	0.50
IP4254	CZ8-4	8-pin	4	100 Ω	30 pF	45 pF	1.4	1.75	0.50
	CZ12-6	12-pin	6				1.4	2.55	0.50
	CZ16-8	16-pin	8				1.4	3.35	0.50

## ... 4-, 6- and 8-channel EMI filters



Any questions about the new product? Please contact:

[Cuong.Vuong@nxp.com](mailto:Cuong.Vuong@nxp.com)