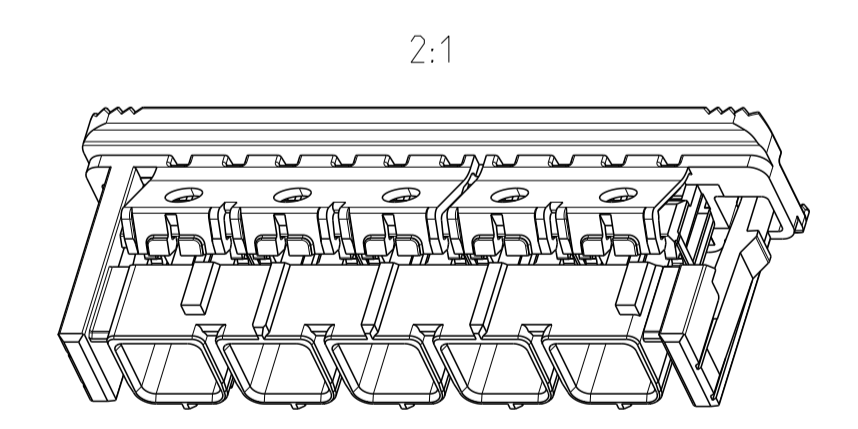
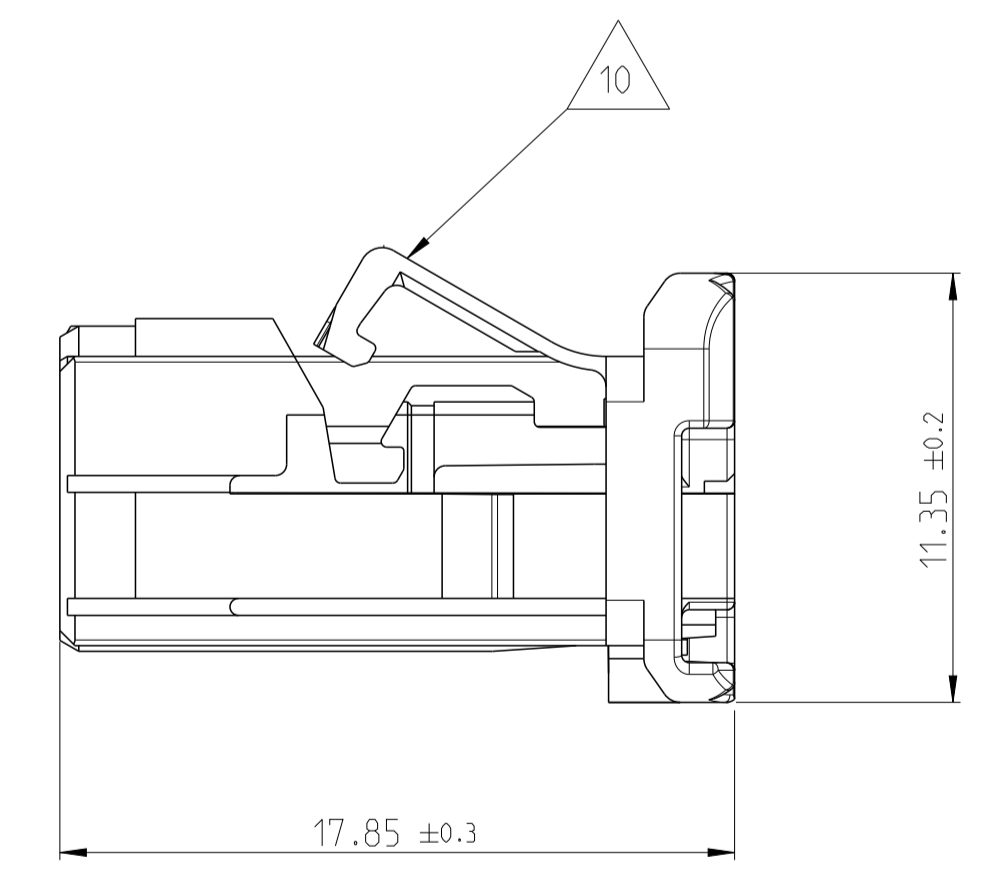
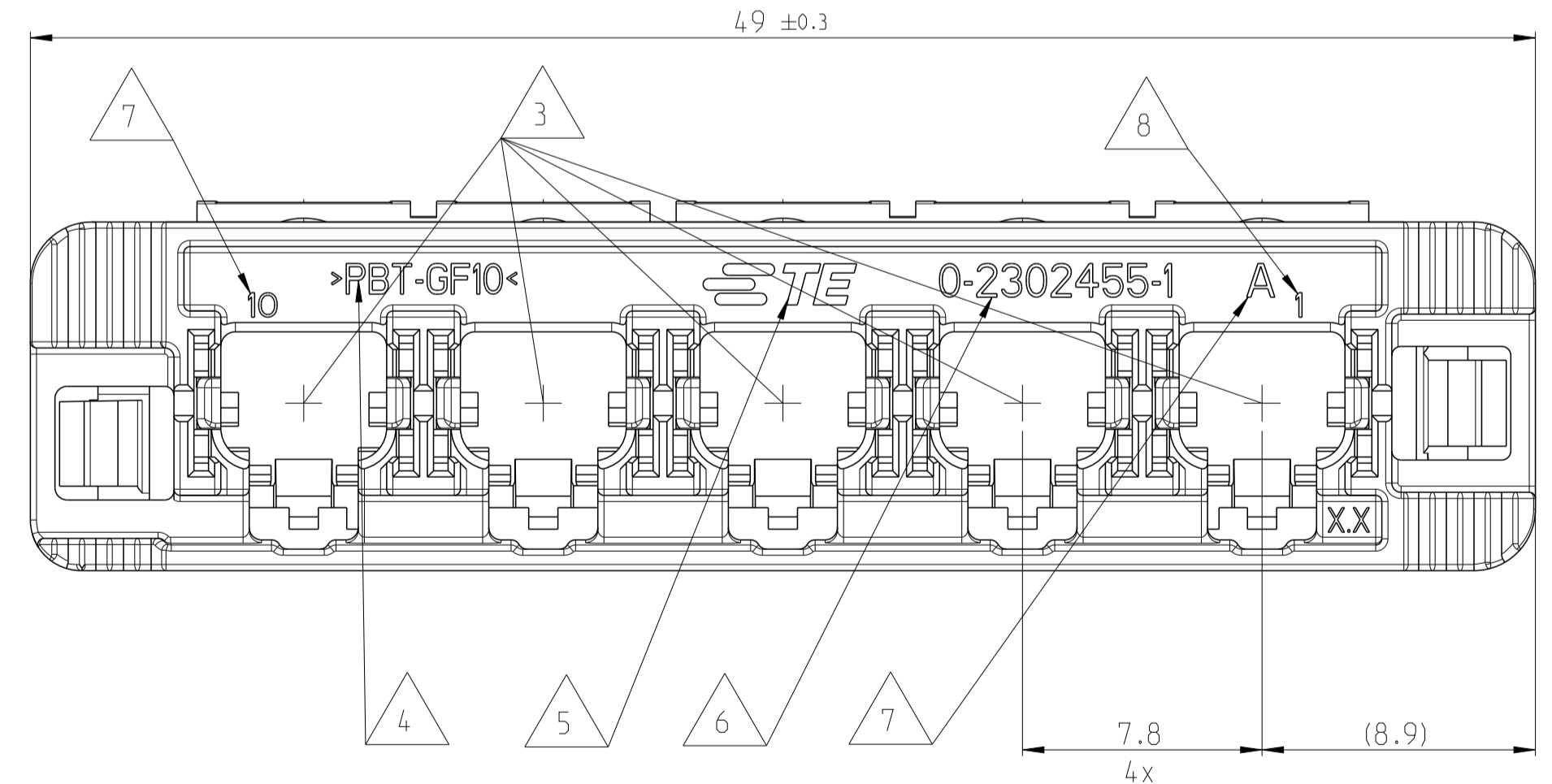
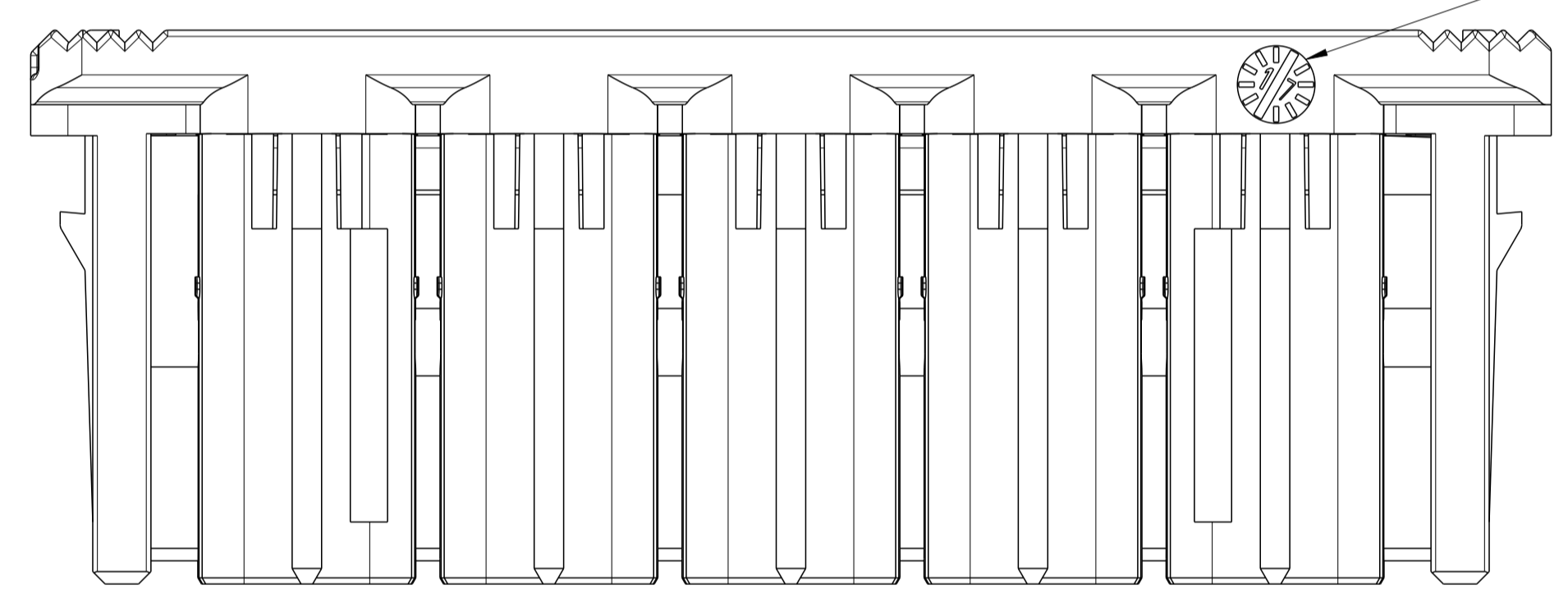
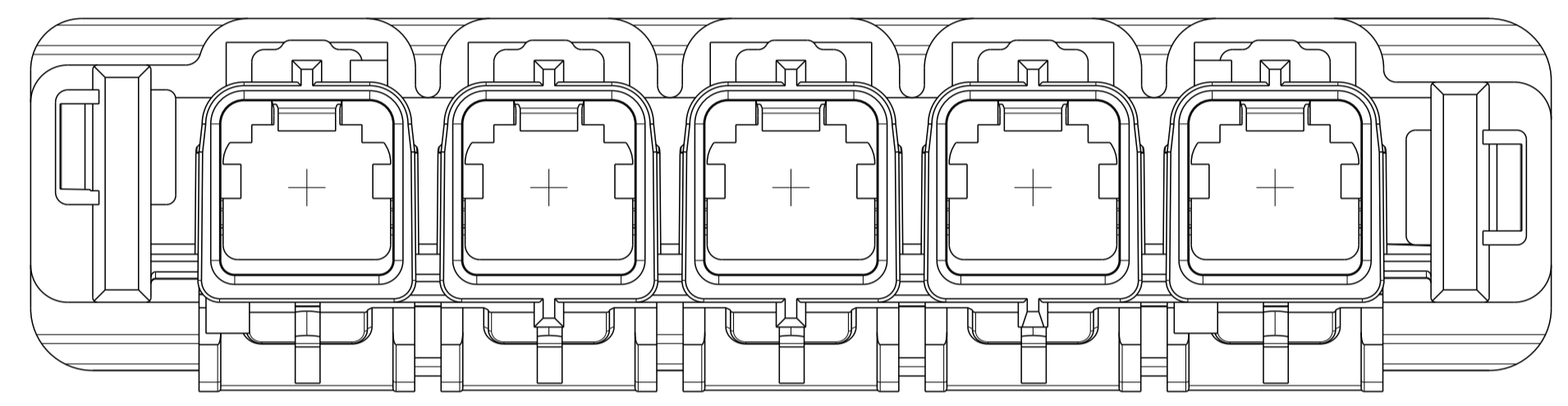
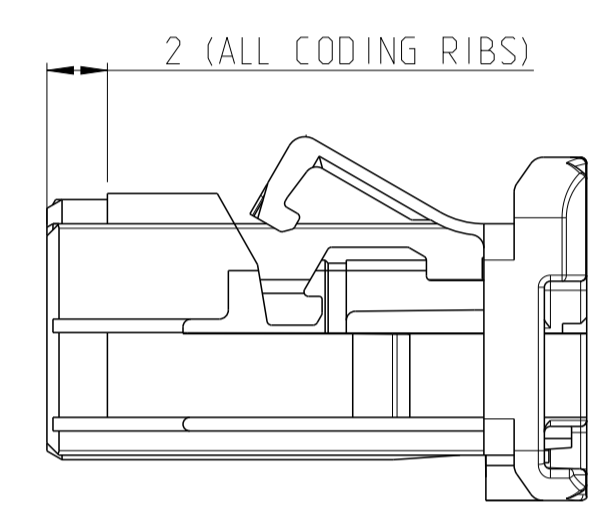
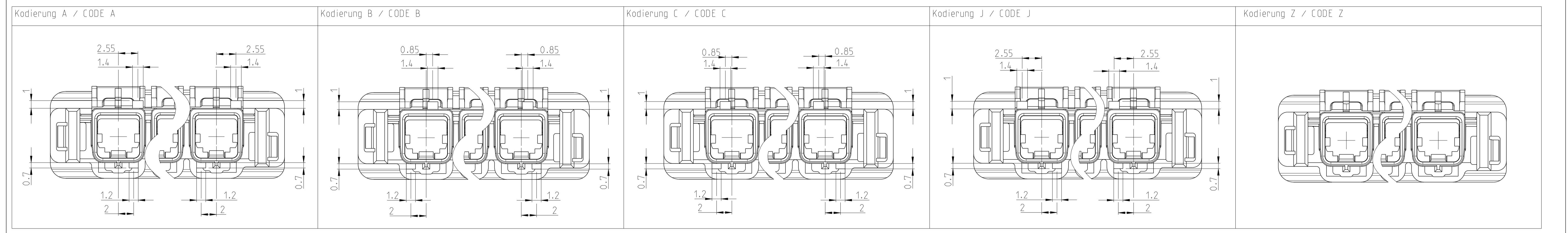
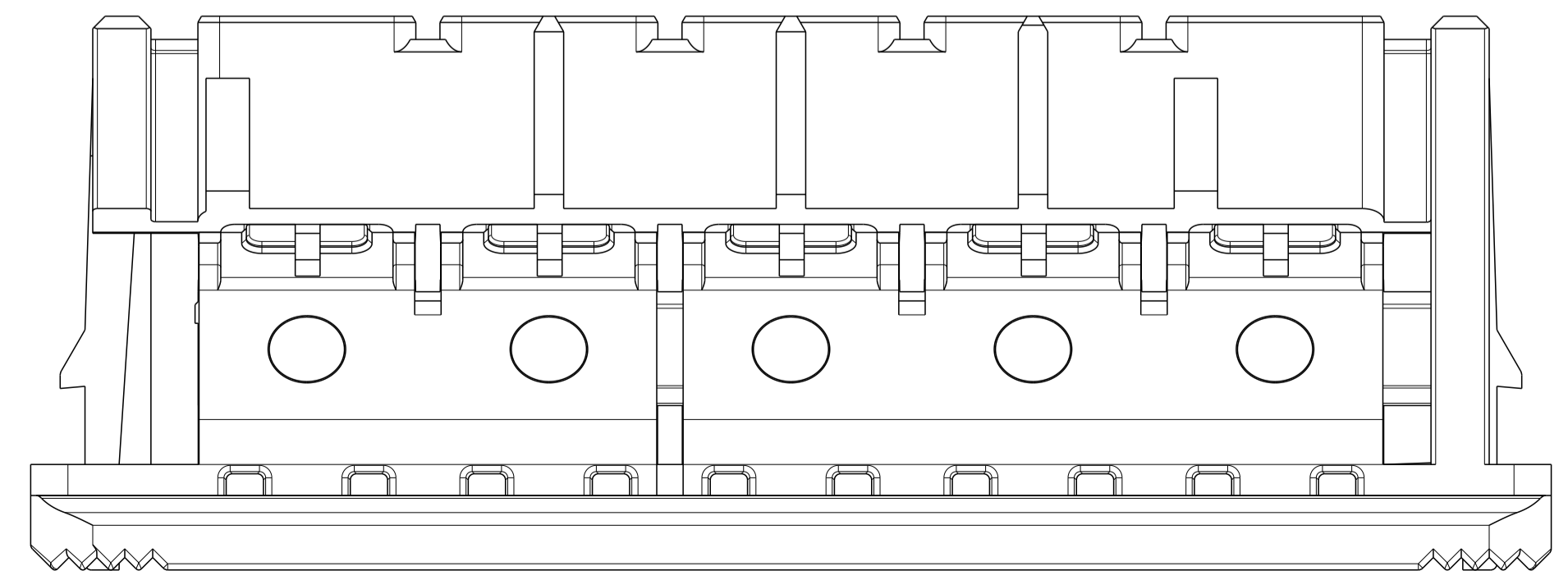
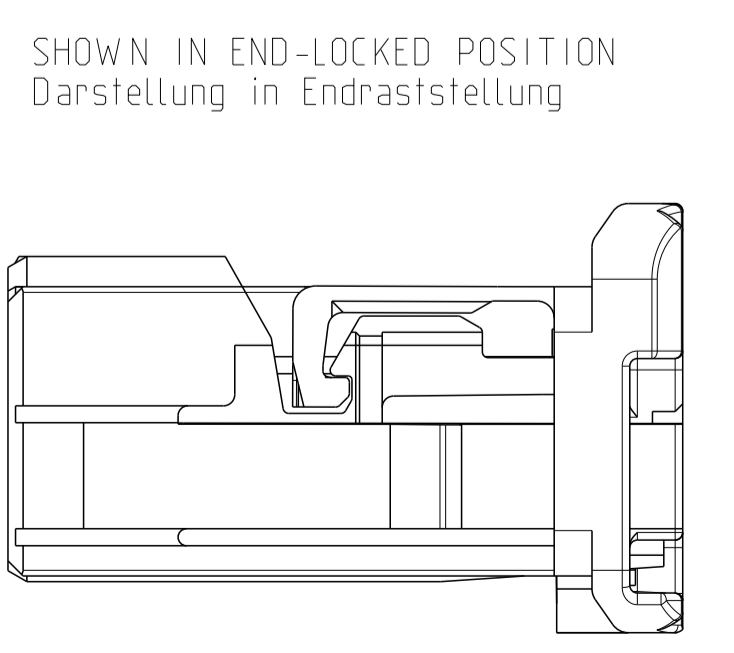


PROJEKT NR.:		REVISIONS ÄNDERUNGEN			
P.	LTN.	DESCRIPTION BESCHREIBUNG	DATE	DMN	APVD
A		NEW DRAWING	16AUG2016	KIJ	AK
B		E-16-016822 (STP-Contact-Spring Pockets added)	28NOV2016	KIJ	AK
B1		E-17-012393 (added serial parts)	25AUG2017	RW	AK



- Notizen / NOTES:
- 0-2302455-1, Kodierung A wie dargestellt  
0-2302455-1, CODING A AS SHOWN
  - Passend zu Stiftwanne nach TE-Schnittstellenzeichnung 208-18010  
MATING TO PINHEADER ACC. TE-INTERFACE DRAWING 208-18010
  - Kammer fuer MATenet 2Pos. NanoMQS female Insert module TE-PN 0-2302450-X  
CAVITY FOR MATenet 2Pos. NanoMQS FEMALE INSERT MODULE TE-PN 0-2302450-X
  - Materialkennzeichnung  
MATERIAL MARKING
  - TE-Logo  
TE-LOGO
  - TE-Teile Nummer  
TE-PART NUMBER
  - Revisionsstand  
PART REVISION
  - Kontaktkammernummern  
CONTACT CAVITY NUMBERS
  - Produktionsdatum  
PRODUCTION DATE
  - Anlieferzustand: 2. Kontaktsicherung geöffnet  
DELIVERY CONDITION: RETAINER IN OPEN POSITION
  - Verpackung: Schuetffgut im Beutel im Karton  
PACKAGING: LOOSE PIECES IN BAG IN BOX



CODE	PART No.	Rev.	DESCRIPTION	MATERIAL	WEIGHT [g]	COLOUR similar RAL
Z	0-2302455-9	A	5-Port MATenet Frame, CODE Z	PBT-GF10 0% regrind	3.4	water-blue 5021
J	0-2302455-7	A	5-Port MATenet Frame, CODE J		3.4	Beige 1001
C	0-2302455-3	A	5-Port MATenet Frame, CODE C		3.4	blue 5012
B	0-2302455-2	A	5-Port MATenet Frame, CODE B		3.4	white 9010
A	0-2302455-1	A	5-Port MATenet Frame, CODE A		3.4	Black 9005

THIS DRAWING IS A CONTROLLED DOCUMENT.

DMN: J. KIESSWEITER 16AUG2016  
 CHK: R. WUERKER 16AUG2016  
 APVD: A. KETTLER 29AUG2016

DIMENSIONS: MASSENHEITEN: mm

TOLERANCES UNLESS OTHERWISE SPECIFIED: ALLE DIMENSIONEN

0 PLC ±0.2  
 1 PLC ±0.1  
 2 PLC ±0.1  
 3 PLC ±0.1  
 4 PLC ±0.1

MATERIAL: see table

FINISH/SCHLEIF-FARBE: see table

WEIGHT GEWICHT: see table

CUSTOMER DRAWING

NAME: 5-Port MATenet Frame  
5-PORT MATenet FRAME

SIZE: A1

CAGE CODE: 00779

DRAWING NO: 2302455

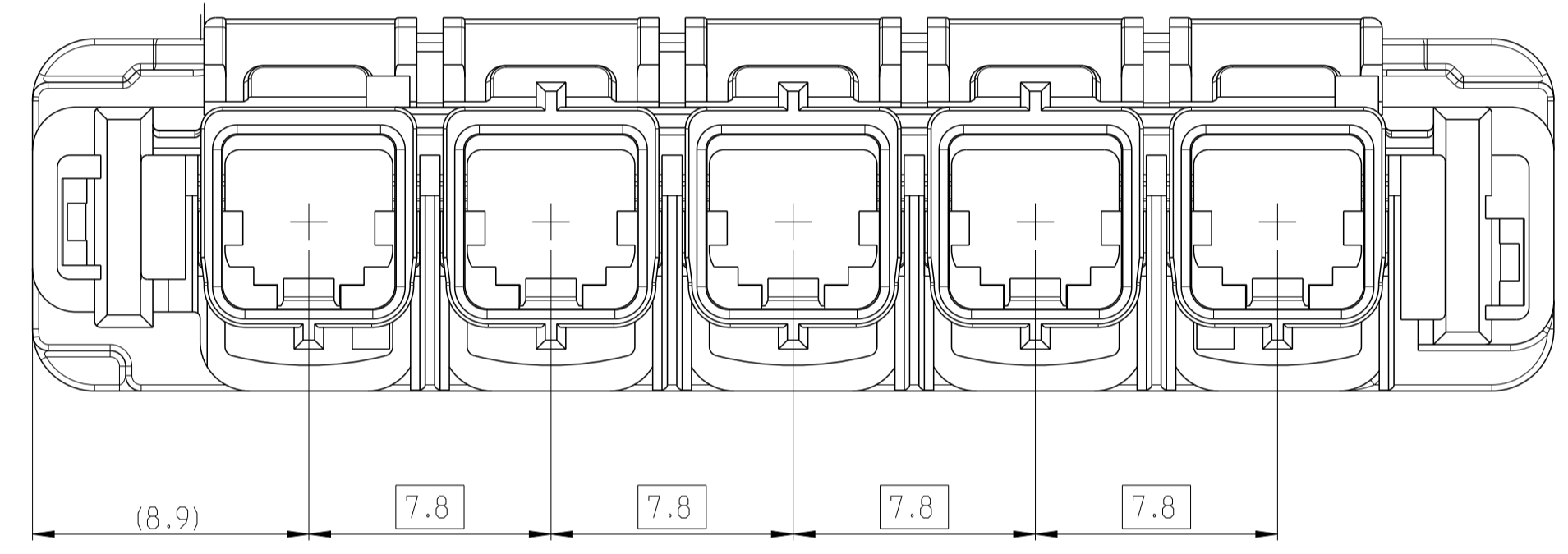
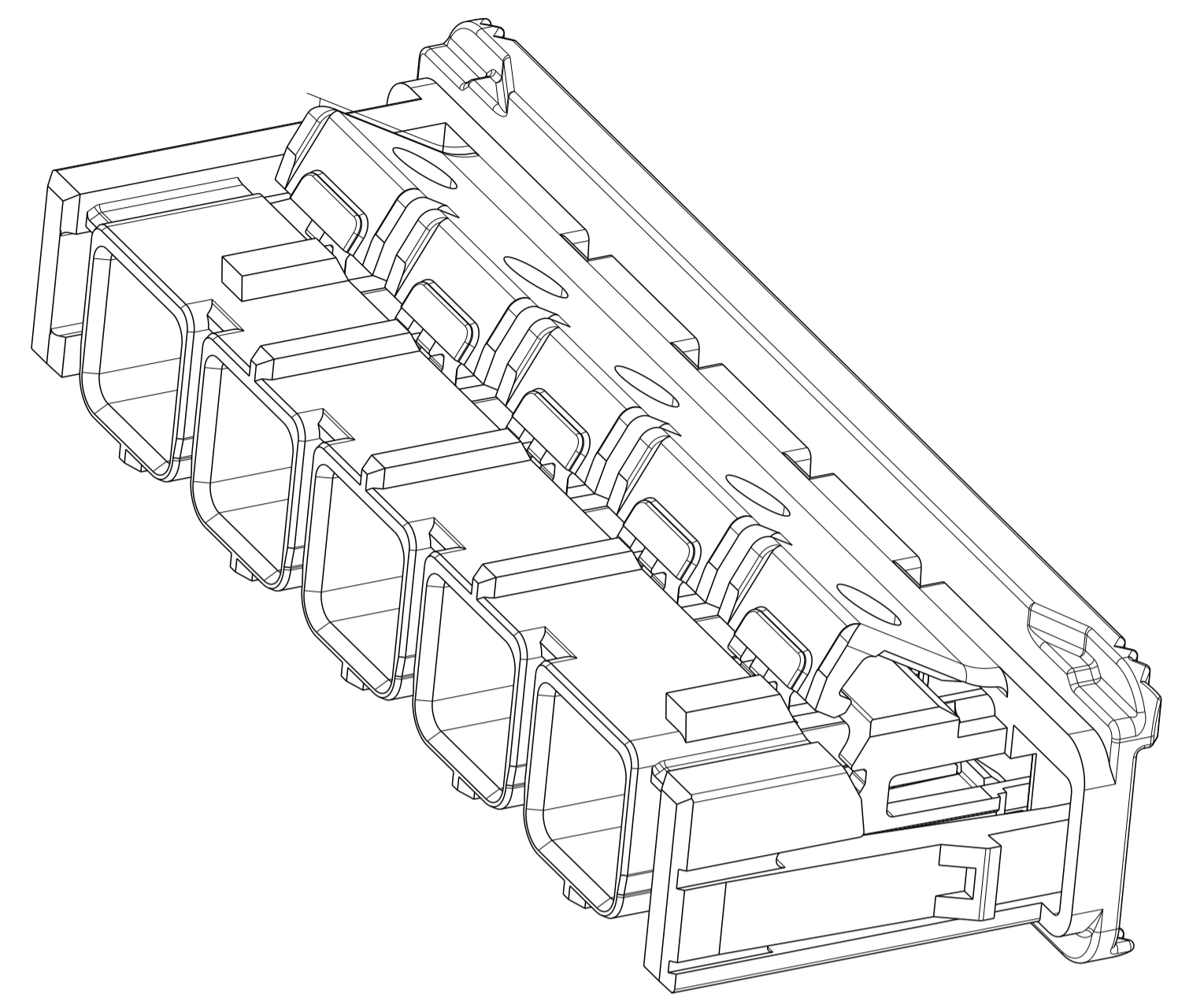
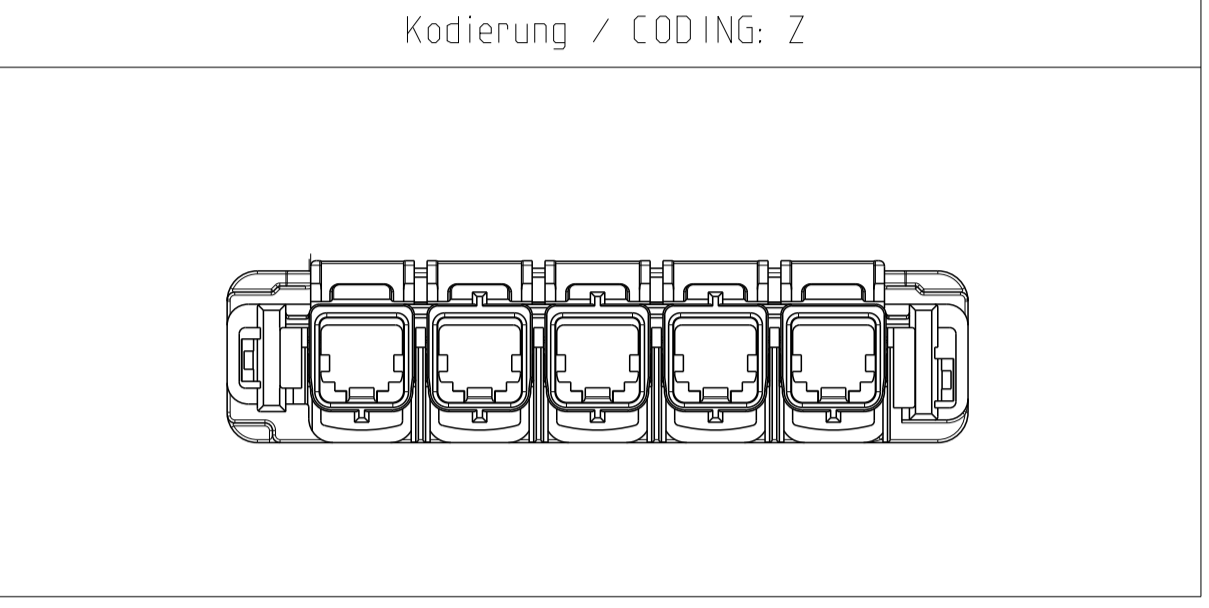
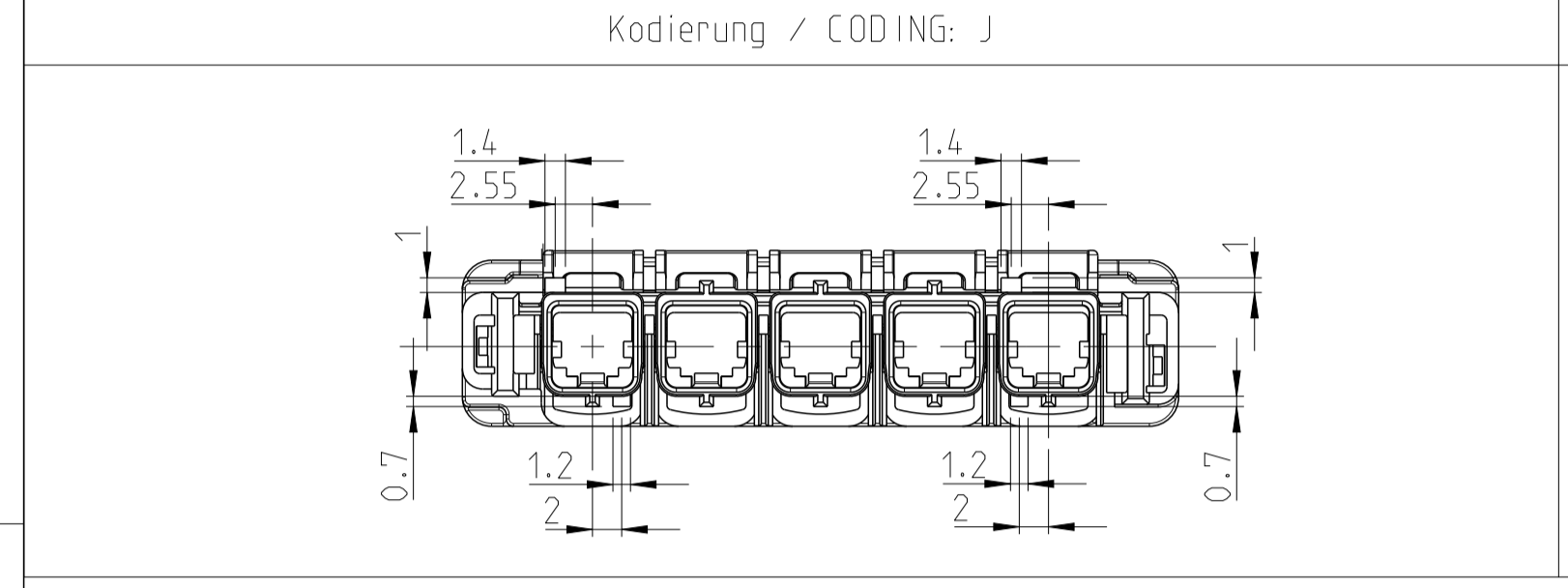
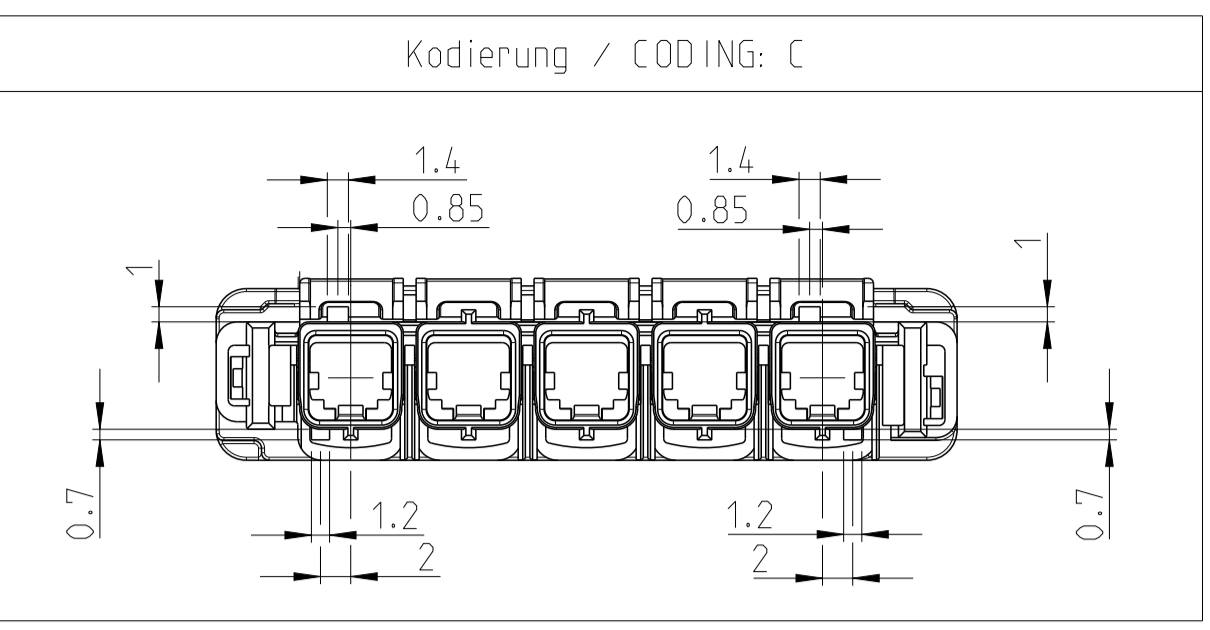
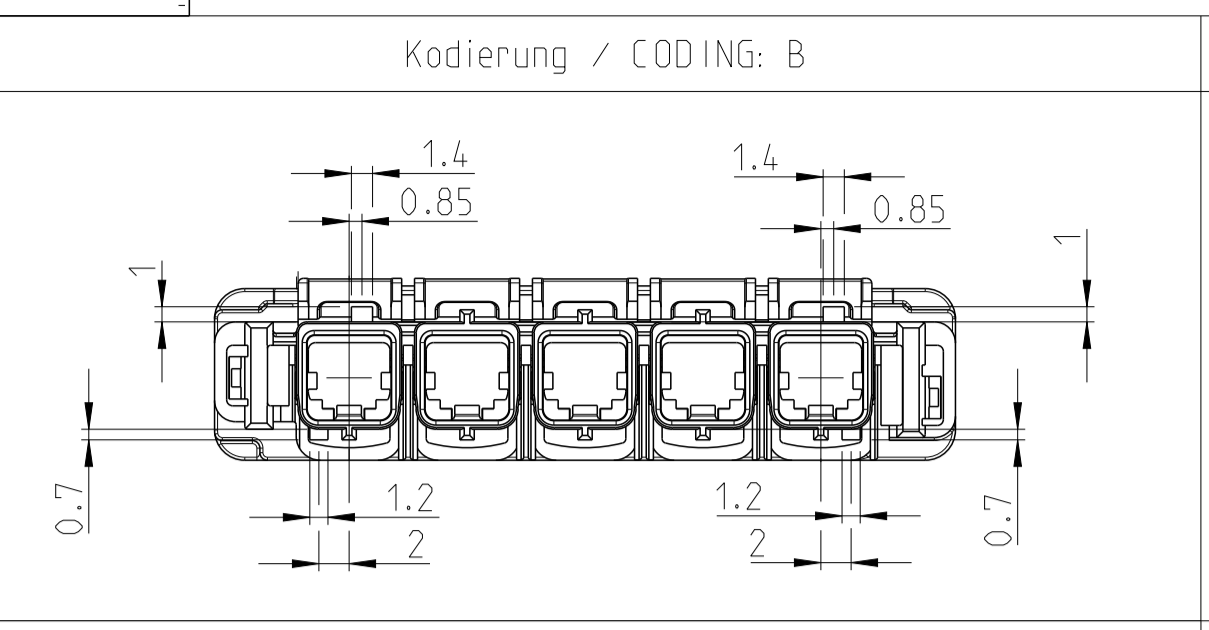
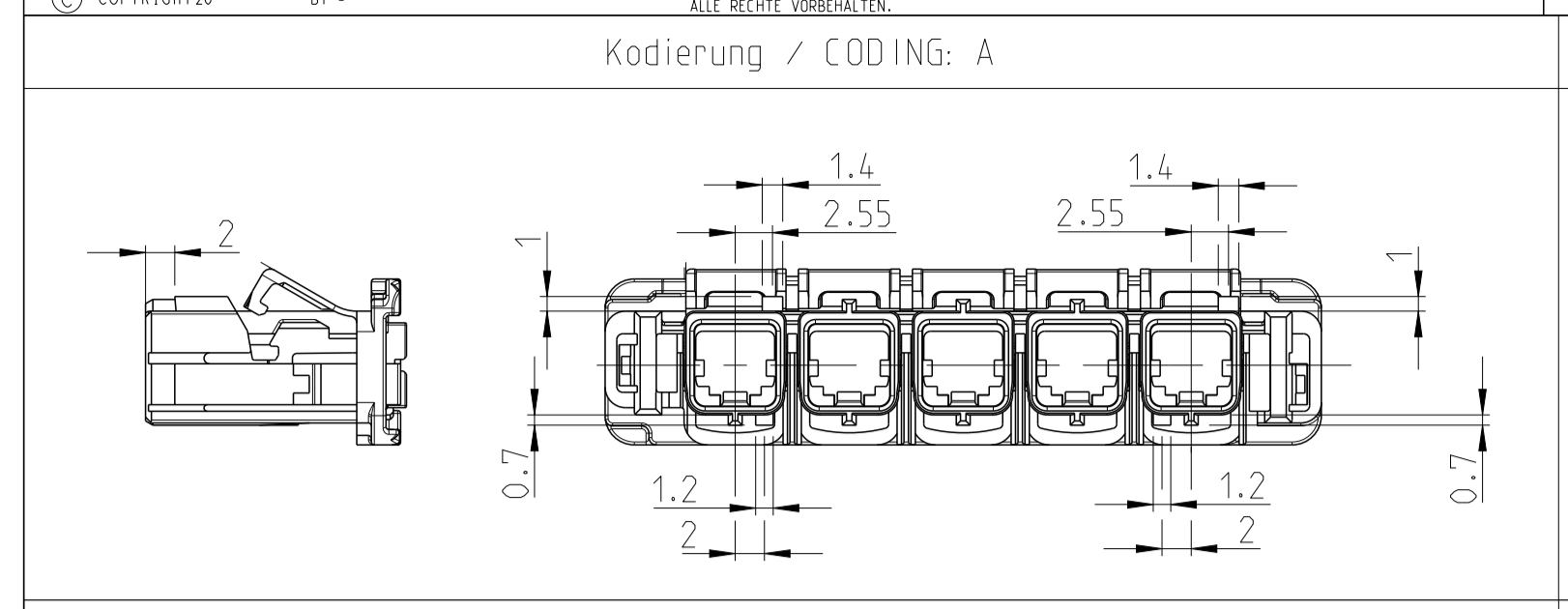
RESTRICTED TO: NR FUER

SCALE: 5:1

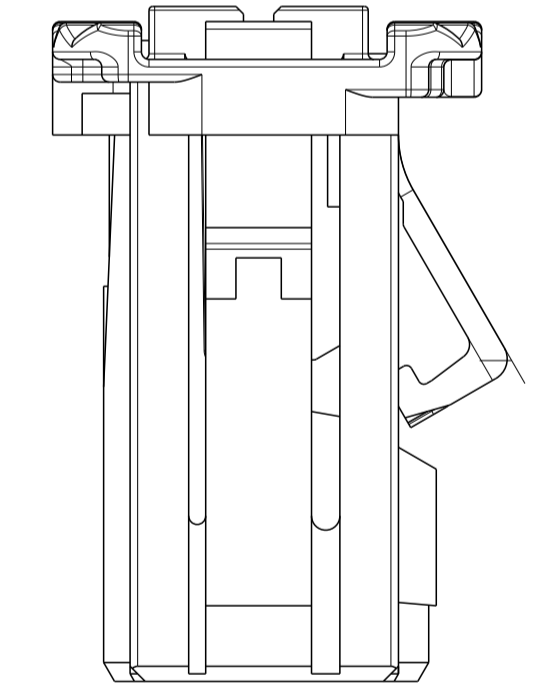
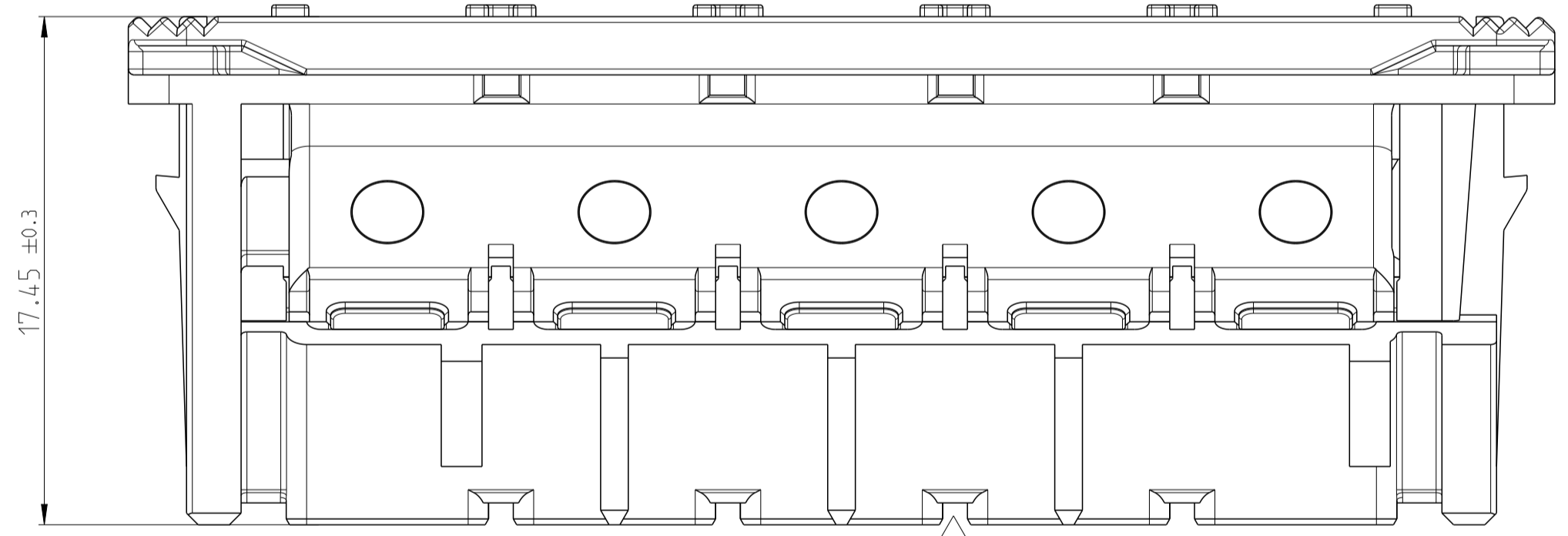
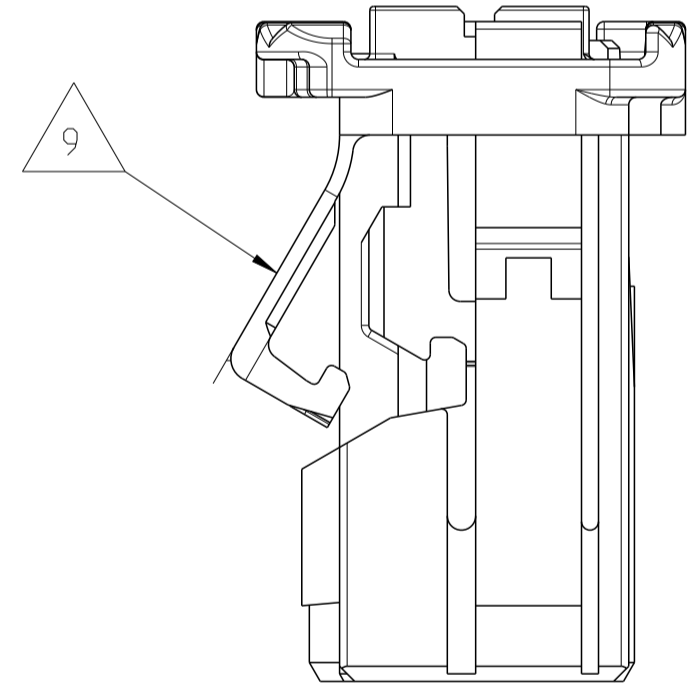
SHEET: 1 OF 2

REV: B1

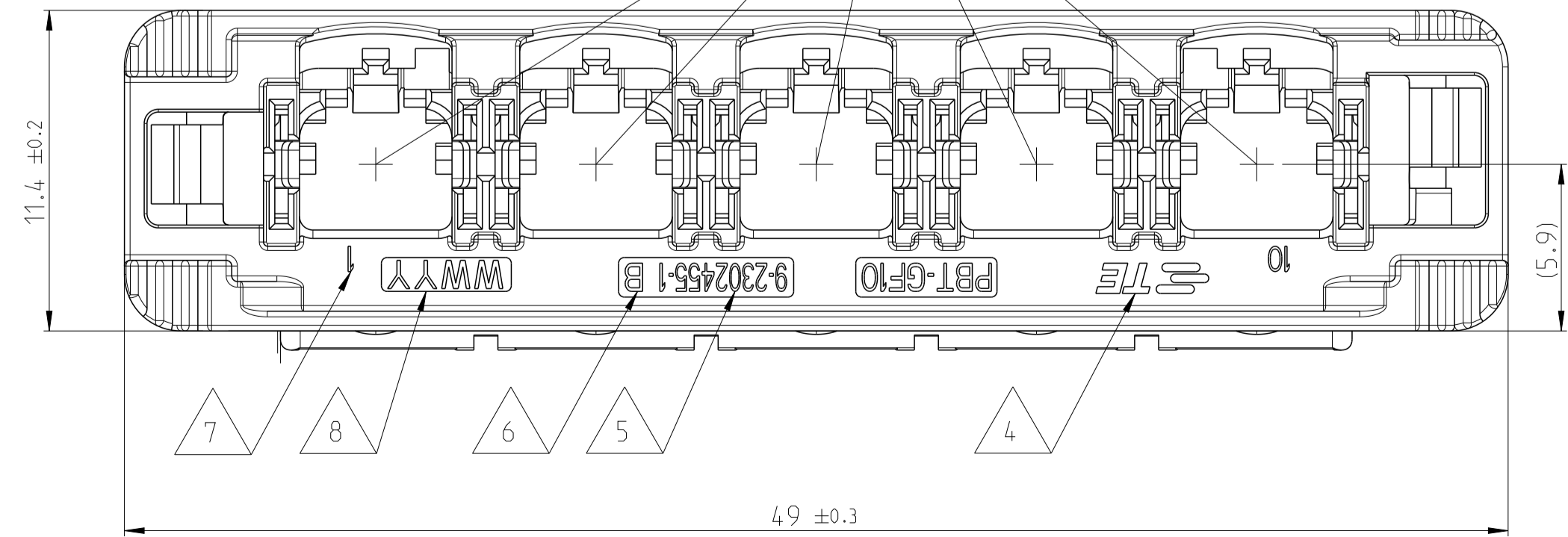
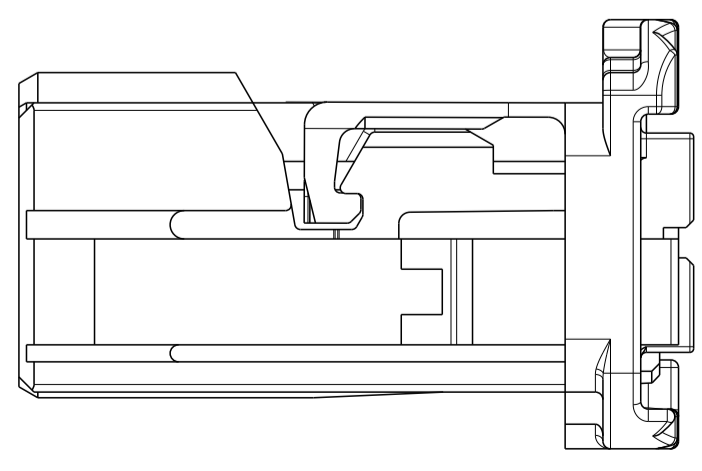
PROJEKT NR.:		REVISIONS ÄNDERUNGEN		
P.	LTN.	DESCRIPTION BESCHREIBUNG	DATE	OWN APVD
-	SEE SHEET 1		-	-



- Notizen / NOTES:
- 9-2302455-1, Kodierung A wie dargestellt  
9-2302455-1, CODING A AS SHOWN
  - Passend zu Stiftwanne nach TE-Schnittstellenzeichnung 208-18010  
MATING TO PINHEADER ACC. TE-INTERFACE DRAWING 208-18010
  - Kammer fuer MATenet 2Pos. NanoMQS female Insert module TE-PN 9-2302450-X  
CAVITY FOR MATenet 2Pos. NanoMQS FEMALE INSERT MODULE TE-PN 9-2302450-X
  - TE-Logo  
TE-LOGO
  - TE-Teile Nummer  
TE-PART NUMBER
  - Revisionsstand  
PART REVISION
  - Kontaktkammernummern  
CONTACT CAVITY NUMBERS
  - Produktionsdatum  
PRODUCTION DATE
  - Anlieferzustand: 2. Kontaktsicherung geöffnet  
DELIVERY CONDITION: RETAINER IN OPEN POSITION
  - Verpackung: Schuetzgut im Beutel im Karton  
PACKAGING: LOOSE PIECES IN BAG IN BOX



2. Kontaktsicherung geschlossen  
RETAINER CLOSED



## B-MUSTER PROTOTYPE B-SAMPLES

CODE	PART No.	Rev.	DESCRIPTION	MATERIAL	WEIGHT [g]	COLOUR similar RAL
Z	9-2302455-9	B	5-Port MATenet Frame, CODE Z	PBT-GF10 0% regrind	3.0	water-blue 5021
J	9-2302455-7	B	5-Port MATenet Frame, CODE J		3.1	Beige 1001
C	9-2302455-3	B	5-Port MATenet Frame, CODE C		3.1	blue 5012
B	9-2302455-2	B	5-Port MATenet Frame, CODE B		3.1	white 9010
A	9-2302455-1	B	5-Port MATenet Frame, CODE A		3.1	Black 9005

THIS DRAWING IS A CONTROLLED DOCUMENT.

OWNER: J. KIESSWEITER, 16AUG2016  
CHK: R. WUERKER, 16AUG2016  
APVD: A. KETTELER, 29AUG2016

NAME: 5-Port MATenet Frame  
5-PORT MATenet FRAME

PRODUCT SPEC: 108-91568  
APPLICATION SPEC: 114-91431

SIZE: A1  
CAGE CODE: 00779  
DRAWING NO: 9-2302455

RESTRICTED TO: NUR FÜR: -

MATERIAL: see table  
DIMENSIONS: DIMENSIONS: mm  
TOLERANCES UNLESS OTHERWISE SPECIFIED: ALLE DIMENSIONEN  
0 PLC ±0.2  
1 PLC ±0.1  
2 PLC ±0.05  
3 PLC ±0.05  
4 PLC ±0.05  
5 PLC ±0.05  
6 PLC ±0.05  
7 PLC ±0.05  
8 PLC ±0.05  
9 PLC ±0.05  
FINISH/SCHLEIFLÄCHE/FARBE: see table

WEIGHT: see table  
GEWICHT: see table

CUSTOMER DRAWING / KUNDENZEICHNUNG  
SCALE: 1:1  
SHEET: 2 OF 2  
REV: B1