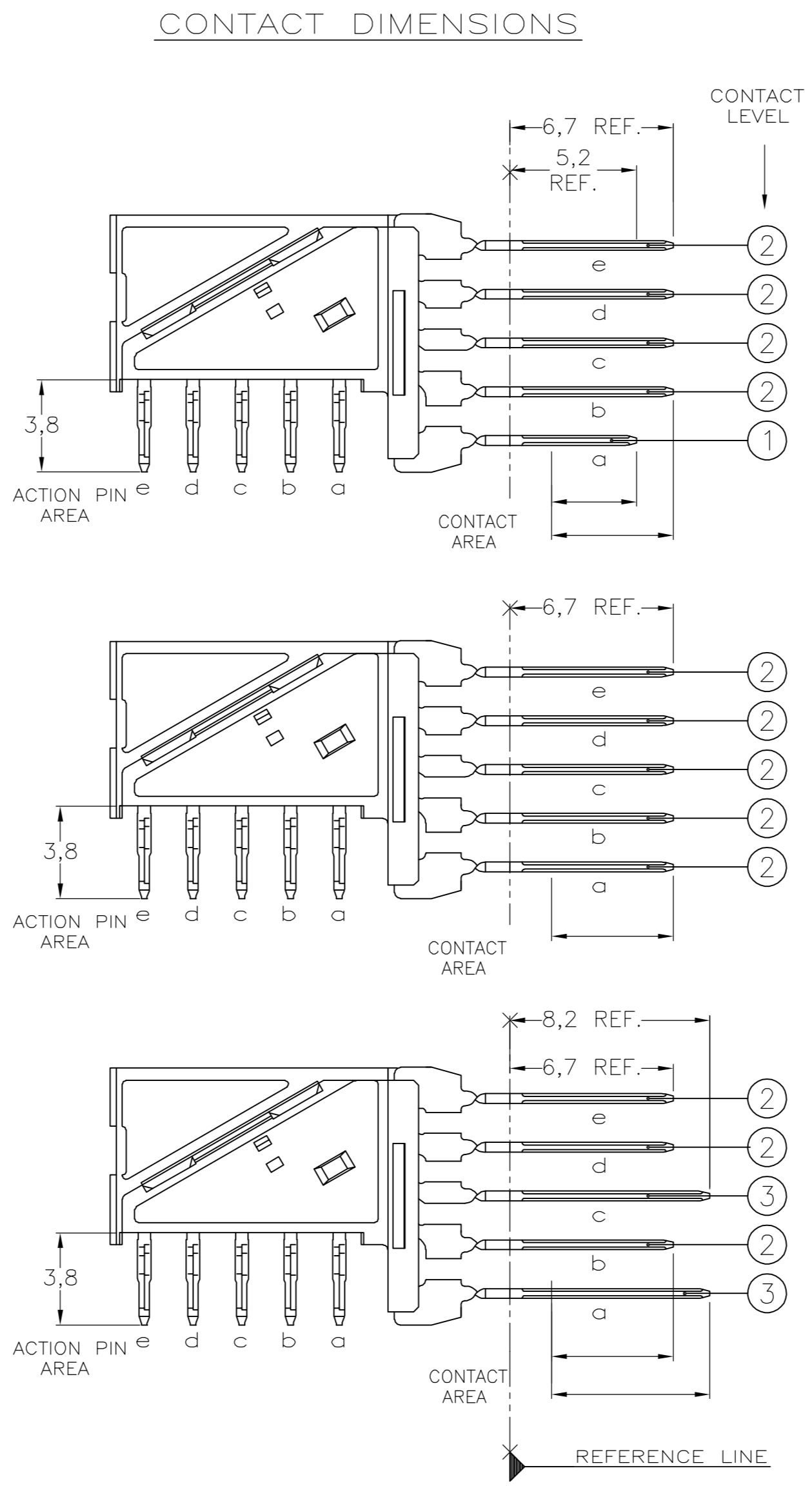
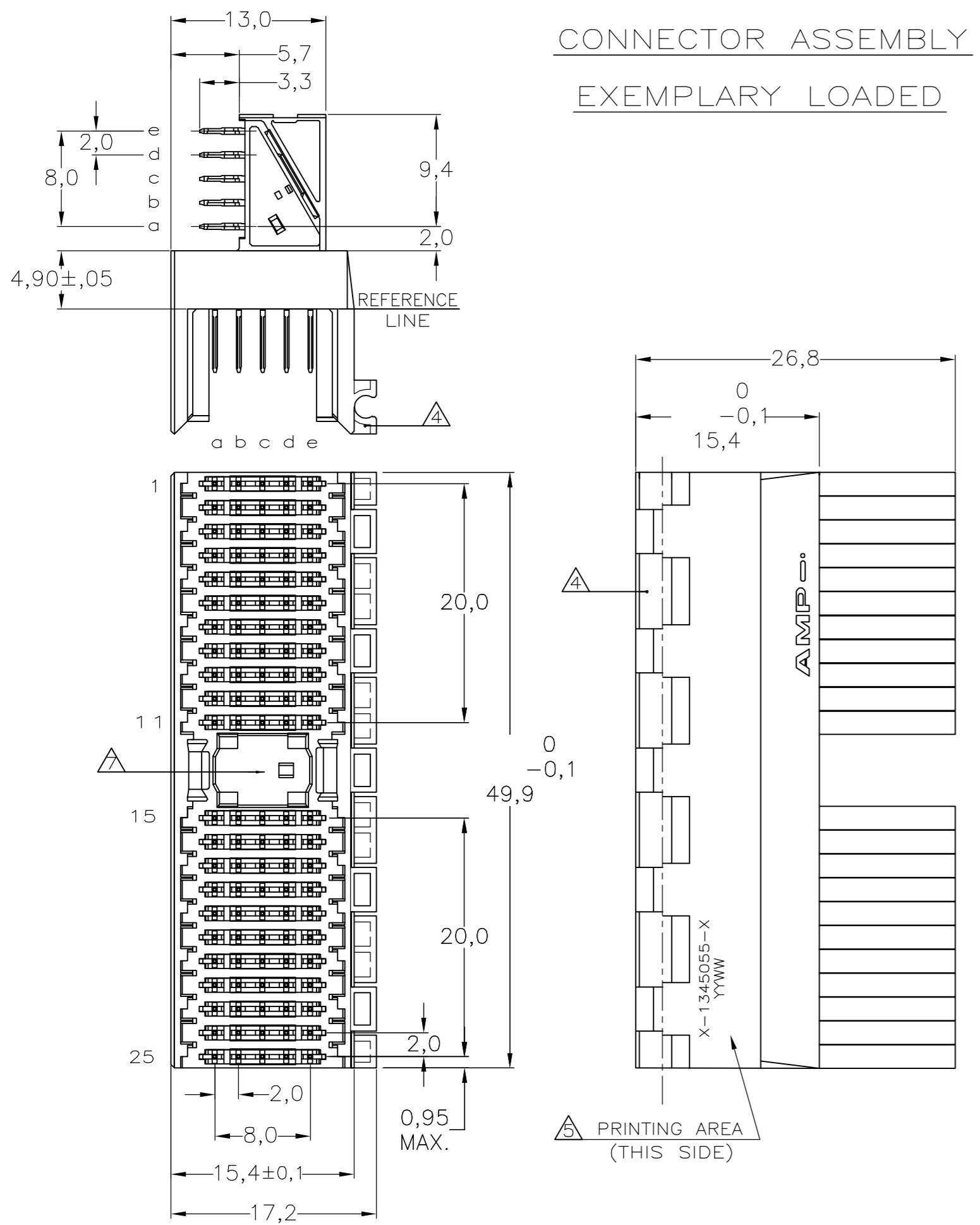
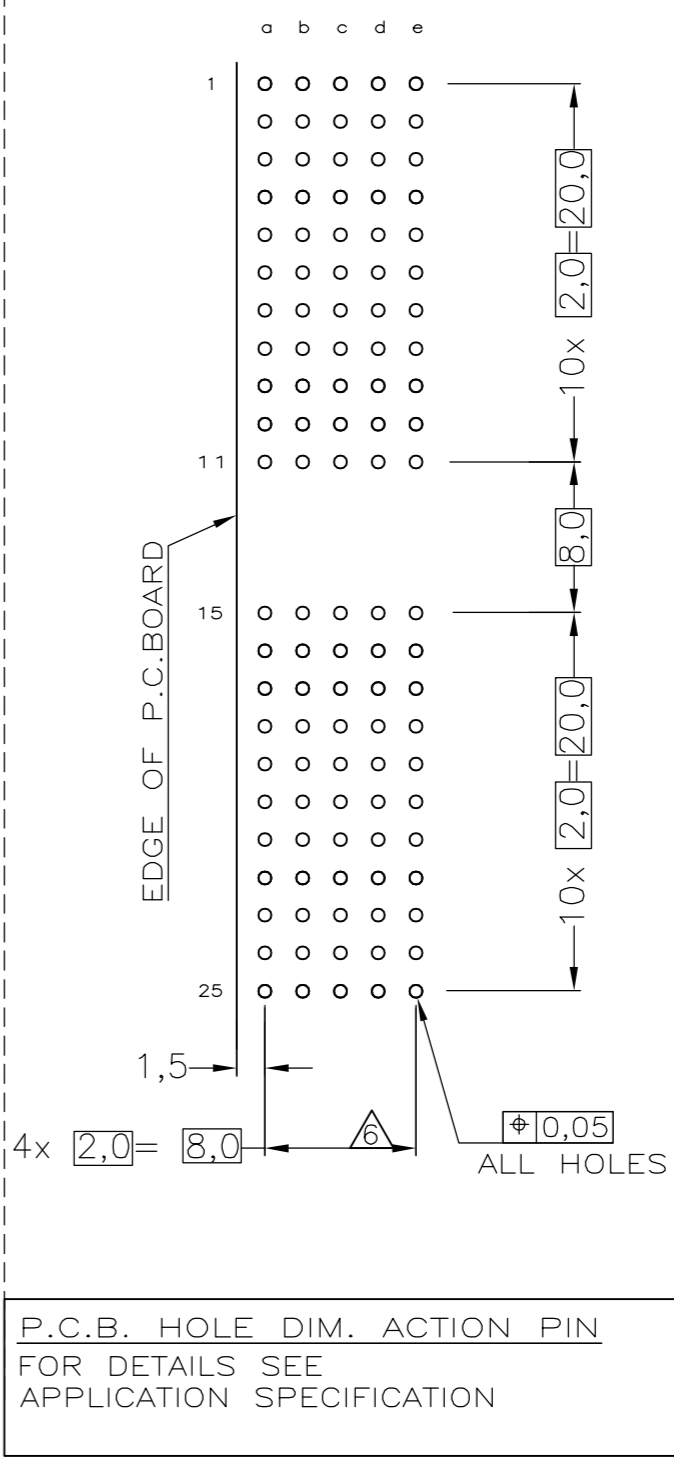


THIS DRAWING IS UNPUBLISHED. RELEASED FOR PUBLICATION
 © COPYRIGHT BY TYCO ELECTRONICS CORPORATION. ALL RIGHTS RESERVED.

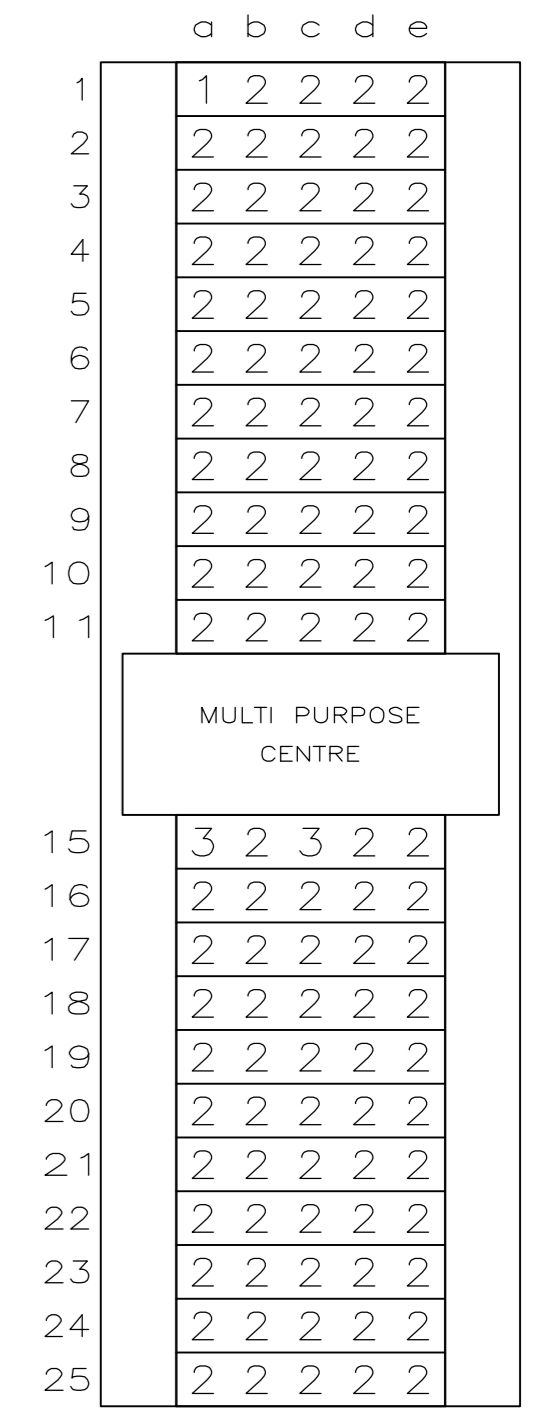


Loc	DIST	REVISIONS					
		P	LTR	DESCRIPTION	DATE	DWN	APVD
H	-		C	EHC0-0195-04	07-07-04	DvdB	BM
			D	EH10-0680-05	06-06-05	BSV	BM
			D1	ECR-06-002635	07-02-06	BSV	BM

RECOMMENDED PCB-HOLE LAY-OUT
 COMPONENT SIDE SHOWN



CONTACT LAYOUT



- NOTES:
- △ MATERIAL HOUSING : GREY GLASSFILLED POLYESTER UL-RATING VØ
 - △ CONTACT : PHOSPHORBRONZE
 - △ GENERAL PLATING SPECIFICATION: UNDERPLATING (ENTIRE CONTACT): 1,27µm NICKEL MIN. AND ACTION PIN: 0,5µm TIN-LEAD MIN. FOR PLATING OF MATING SURFACES SEE APPLICABLE SPECIFICATION REFERENCE FOR EACH DASH NUMBER.
 - △ CONFORMS TO ALL TESTING ACCORDING IEC 61076-4-101 PERFORMANCE LEVEL 2.
 - △ CONNECTOR ASSEMBLY WITH LATCH HINGE FOR CABLE CONNECTOR.
 - △ CONNECTOR PRINTED WITH PARTNUMBER AND DATECODE
 - △ PLATED-THROUGH HOLES AT 2x2mm SQUARE GRID.
 - △ AREA FOR KEYING PART (BASIC PART NUMBER 100525).

CONTACT FINISH	MATERIAL	PARTNUMBER
△3	△	1-1345055-1 △
△3	△	1345055-1

THIS DRAWING IS A CONTROLLED DOCUMENT.

DIMENSIONS: MM	TOLERANCES UNLESS OTHERWISE SPECIFIED:	DWN L.v.d.HEIJDEN 18MAY99	Tyco Electronics Corporation s-HertogenBosch, Netherlands,
0 PLC ± -	1 PLC ± -	CHK D. TRUREN	
2 PLC ± -	3 PLC ± -	APVD F.v.KONINGSBRUGGE	NAME Z-PACK 2MM HM TYPE A 110 POS. RIGHT ANGLE MALE CONNECTOR ASSEMBLY
4 PLC ± -	ANGLES ± -	PRODUCT SPEC	
MATERIAL	FINISH	APPLICATION SPEC 114-19029	SIZE A2
		WEIGHT	CAGE CODE 00779
		CUSTOMER DRAWING	DRAWING NO. C=1345055
			RESTRICTED TO
			SCALE NTS SHEET 1 OF 1 REV D1