

165075 ✓ ACTIVE

PLASTI-GRIP

TE Internal #: 165075

Crimp Wire Pins, Tabs & Ferrules, Wire Pin, Mating Pin Diameter

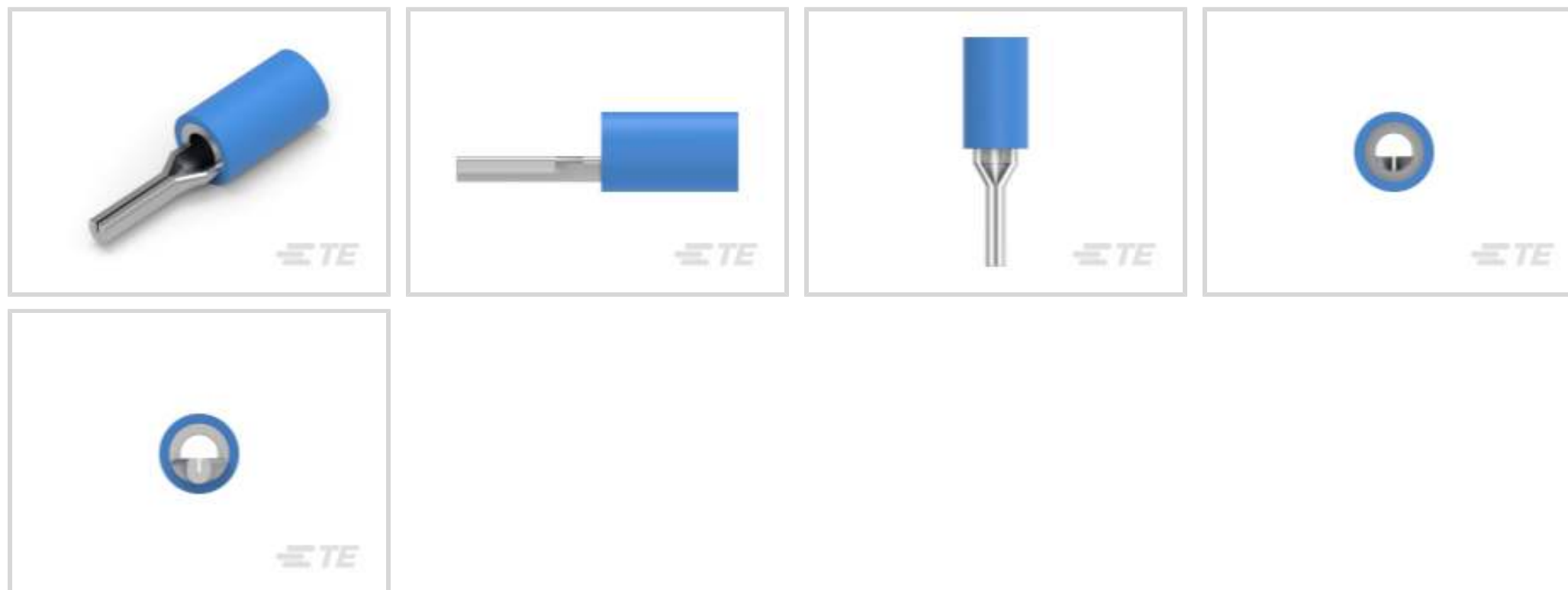
1.78 mm [.07 in], 16 – 14 AWG Wire Size, 1 – 2.5 mm² Wire Size,

PLASTI-GRIP

[View on TE.com >](#)



Terminals & Splices > Crimp Wire Pins, Tabs & Ferrules



Crimp Wire Terminal Type: **Wire Pin**

Mating Pin Diameter: **1.78 mm [.07 in]**

Compatible Insulation Diameter Range: **2.92 – 4.83 mm, 4.95 mm [.115 – .19 in, .195 in]**

Wire Size: **1 – 2.5 mm²**

Features

Product Type Features

Sealable	No
Compatible With Discrete Wire Type	Stranded
Wire Insulation Support Retention Type	Insulation Support

Configuration Features

Compatible With Wire & Cable Type	Discrete Wire
-----------------------------------	---------------

Body Features

Sleeve Material	PVC
Insulation Material	PVC
Primary Product Color	Blue

Contact Features

Contact Mating Area Length	6.7 mm[.26 in]
Contact Fabrication	Stamped & Formed
Crimp Wire Terminal Type	Wire Pin
Mating Pin Diameter	1.78 mm[.07 in]



Barrel Type	Closed
Terminal Plating Material	Tin
Contact Shape & Form	Round
Terminal Orientation	Straight

Mechanical Attachment

Wire Insulation Support	Without
-------------------------	---------

Dimensions

DIN Wire Size	1 – 2.5 mm ²
Compatible Insulation Diameter Range	2.92 – 4.83 mm, 4.95 mm [.115 – .19 in] [.195 in]
Wire Size	2050 – 5180 CMA
Terminal Material Thickness	.79 mm [.031 in]
Overall Product Length	20.65 mm [.813 in]

Usage Conditions

Insulation Option	Partially Insulated
Operating Temperature Range	105 °C [221 °F]

Packaging Features

Packaging Quantity	1000
Packaging Method	Box

Product Compliance

[For compliance documentation, visit the product page on TE.com>](#)

EU RoHS Directive 2011/65/EU	Compliant
EU ELV Directive 2000/53/EC	Compliant
China RoHS 2 Directive MIIT Order No 32, 2016	No Restricted Materials Above Threshold
EU REACH Regulation (EC) No. 1907/2006	Current ECHA Candidate List: JUNE 2023 (235) Candidate List Declared Against: JAN 2023 (233) Does not contain REACH SVHC
Halogen Content	Not Low Halogen - contains Br or Cl > 900 ppm.
Solder Process Capability	Not applicable for solder process capability

Product Compliance Disclaimer

This information is provided based on reasonable inquiry of our suppliers and represents our current actual knowledge based on the information they provided. This information is subject to change. The part numbers that TE has identified as EU RoHS compliant have a maximum concentration of 0.1% by weight in homogenous materials for lead, hexavalent chromium, mercury, PBB, PBDE, DBP, BBP, DEHP, DIBP, and 0.01% for cadmium, or qualify for an exemption to these limits as defined in the Annexes of Directive 2011/65/EU (RoHS2). Finished electrical and electronic equipment products will be CE marked as required by Directive 2011/65/EU. Components may not be CE marked. Additionally, the part numbers that TE has identified as EU ELV compliant have a maximum concentration of 0.1% by weight in homogenous materials for lead, hexavalent chromium, and mercury, and 0.01% for cadmium, or qualify for an exemption to these limits as defined in the Annexes of Directive 2000/53/EC (ELV). Regarding the REACH Regulation, the information TE provides on SVHC in articles for this part number is based on the latest European Chemicals Agency (ECHA) 'Guidance on requirements for substances in articles' posted at this URL: <https://echa.europa.eu/guidance-documents/guidance-on-reach>

Compatible Parts



TE Part # 58433-3
PRO CR ASSY, RBY IS9252



TE Part # 47387
DAHT PG PIDG 20-14 ASSY



TE Part # 58423-1
DIE, RBY IS9252



TE Part # 47387-7
DAHT PG PIDG 16-12 ASSY



TE Part # 4-1377173-5
SMP 0-0165075-0



TE Part # 59824-1
TETRA-CRIMP PIDG PG FASTON 22-10 ASSY



TE Part # 525691
DAHT PG PIDG 16-14 ASSY



TE Part # 539691-2
ERGO DIE R.B.Y



TE Part # 169400
CERTI-LOK FRAME W/O DIES



TE Part # 1SET191002R0000
TET CRIMP-HT

TE Part # 2392022-2
BLUE BATTERY DAHT KIT 220V (47387-7)

TE Part # 2392022-1
BLUE BATTERY DAHT KIT 110V (47387-7)



TE Part # 169404
CERTI-LOK DIE

Also in the Series | PLASTI-GRIP



Compression Connectors(3)



Crimp Wire Pins, Tabs & Ferrules(25)



Ring Terminals & Spade Terminals(534)



Splices(49)

Customers Also Bought



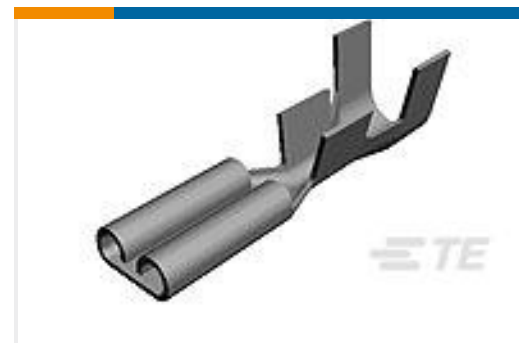
TE Part #165049
 TERM, WIRE PIN, PIDG, 12 - 10, -ASI



TE Part #165171
 P.G. WIRE PIN 16-14



TE Part #165167
 PG WIRE PIN 22-16



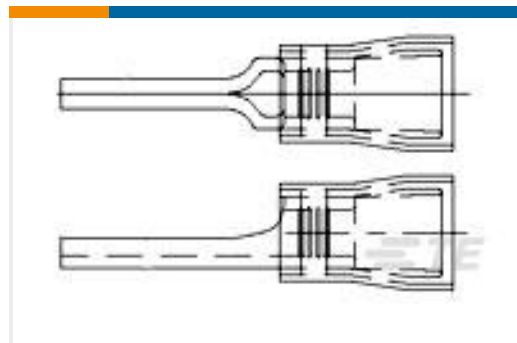
TE Part #150545-2
 110 MINI FASTON,REC.,24-20 AWG,
 TPBR



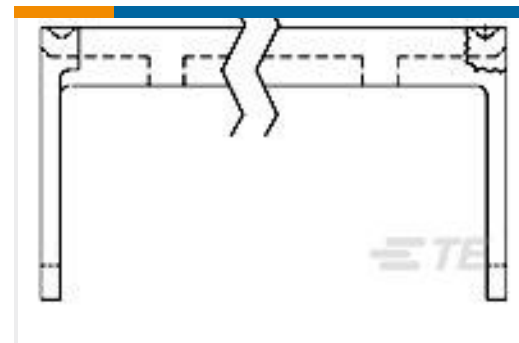
TE Part #330518
 TERMINAL,PG R 12-10 10



TE Part #5390377-5
 50 POS A/P PLUG 25 CL 30AU



TE Part #165085-1
 PG WIRE PIN YELLOW



TE Part #8-1437020-6
 609-2031HD=FSKT IDC S 20 SR



TE Part #173795-E
 IDCCS SMC 1,27 50 * AU AUI 300 PVC

Documents

Product Drawings

[P.G. WIRE PIN 16-14](#)

English

CAD Files

[3D PDF](#)

[3D](#)

**Customer View Model**[ENG_CVM_CVM_165075_Z.2d_dxf.zip](#)

English

Customer View Model[ENG_CVM_CVM_165075_Z.3d_igs.zip](#)

English

Customer View Model[ENG_CVM_CVM_165075_Z.3d_stp.zip](#)

English

3D PDF

English

Customer View Model[ENG_CVM_165075_K.3d_igs.zip](#)

English

Customer View Model[ENG_CVM_165075_K.3d_stp.zip](#)

English

Customer View Model[ENG_CVM_165075_K.2d_dxf.zip](#)

English

By downloading the CAD file I accept and agree to the [Terms and Conditions](#) of use.

Product Specifications[Application Specification](#)

English

Product Environmental Compliance[TE Material Declaration](#)

English

Instruction Sheets[Instruction Sheet \(U.S.\)](#)

English

Agency Approvals[UL Report](#)

English