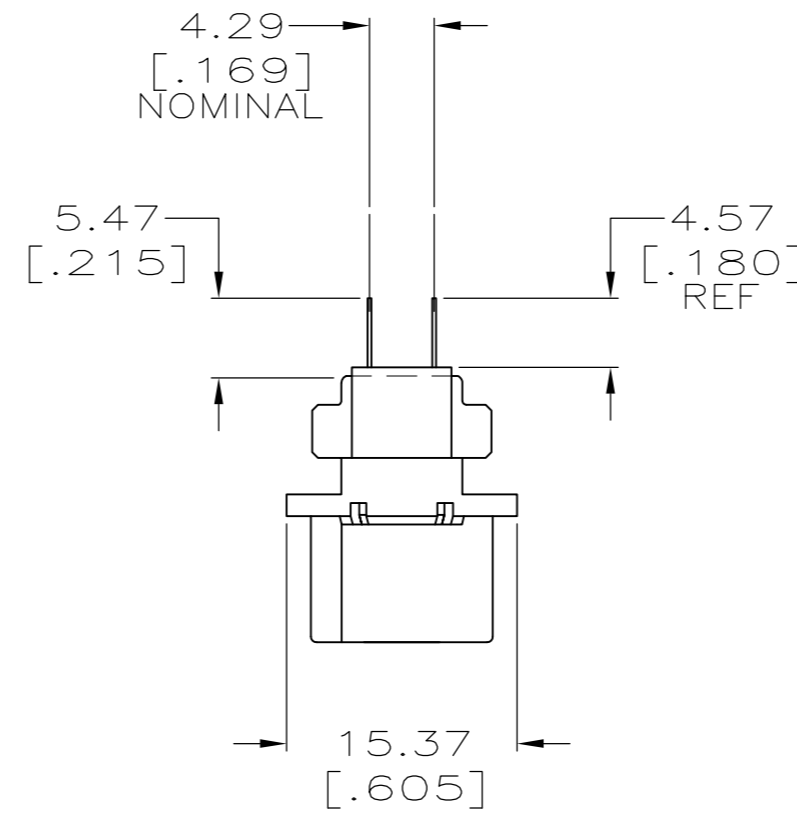
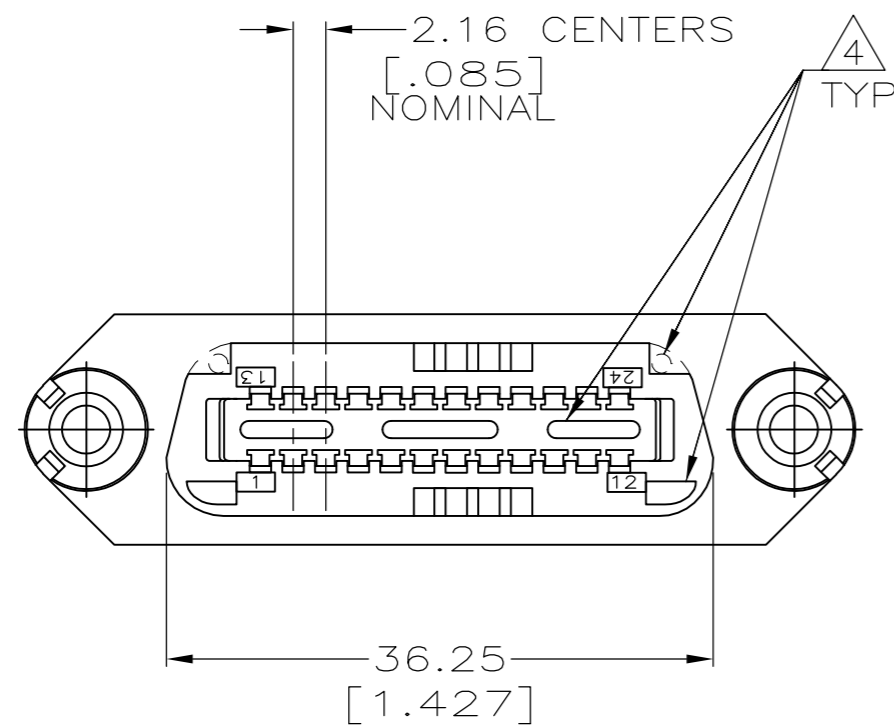
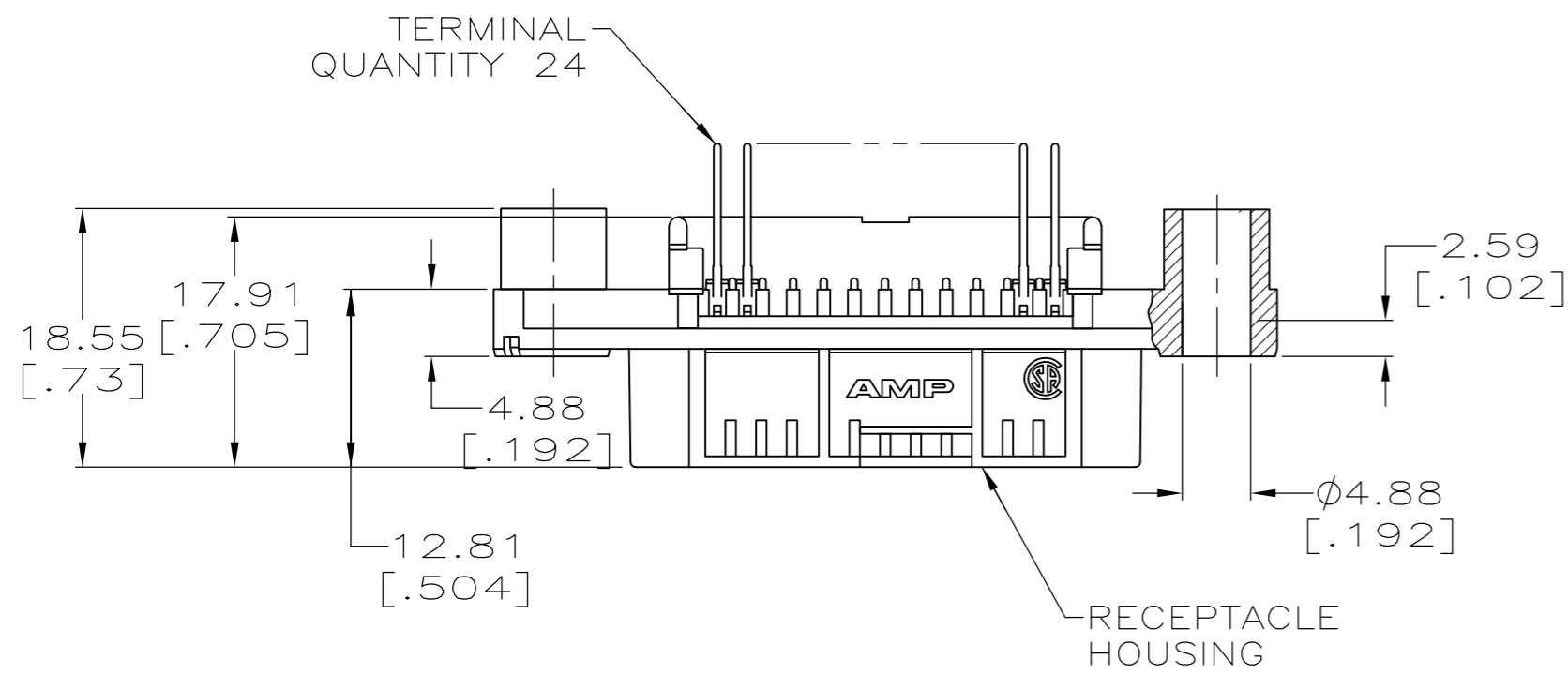
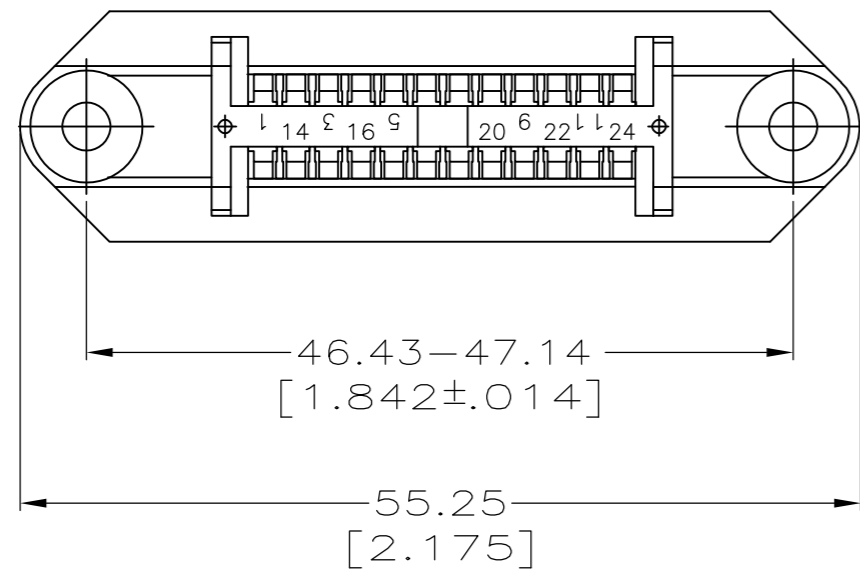


THIS DRAWING IS UNPUBLISHED. RELEASED FOR PUBLICATION  
 © COPYRIGHT BY TYCO ELECTRONICS CORPORATION. ALL RIGHTS RESERVED.

| LOC |     | DIST        |  | REVISIONS                 |         |       |  |
|-----|-----|-------------|--|---------------------------|---------|-------|--|
| P   | LTR | DESCRIPTION |  | DATE                      | DWN     | APVD  |  |
| GP  | 00  | C           |  | REVISED PER ECO-08-007327 | 22JUL08 | BM WM |  |



1. DIMENSIONS ARE MAXIMUM UNLESS OTHERWISE SPECIFIED.
2. THE CONTACT SURFACES OF THE TERMINALS ARE COATED WITH LUBRICANT.
3. MATERIAL: HOUSING - THERMOPLASTIC, BLACK. TERMINAL - PHOS BRONZE PLATED WITH EITHER 0.76µm [.000030] MINIMUM GOLD PLATE OR GOLD FLASH OVER PALLADIUM NICKEL PLATE, 0.76µm [.000030] MINIMUM TOTAL ON MATING SURFACE. 3.05µm [.000120] MINIMUM TIN PLATE ON TAILS OVER 1.27µm [.000050] MINIMUM NICKEL UNDERPLATE OVER ENTIRE TERMINAL.
4. THIS FEATURE IS A CORED AREA AND IS OPTIONAL ON PART

5552224-1  
 PART NUMBER

|                                                                             |  |                                |                                                                                             |                    |
|-----------------------------------------------------------------------------|--|--------------------------------|---------------------------------------------------------------------------------------------|--------------------|
| THIS DRAWING IS A CONTROLLED DOCUMENT.                                      |  | DWN<br>B. LATTUCA<br>12AUG05   | Tyco Electronics Corporation<br>Harrisburg, Pa 17105-3608                                   |                    |
| DIMENSIONS:<br>mm [INCHES]                                                  |  | CHK<br>W. MILLHIMES<br>12AUG05 | NAME<br>RECEPTACLE ASSEMBLY, 24 POSITION,<br>VERTICAL MOUNTING WITH STANDOFFS,<br>CHAMP-LOK |                    |
| TOLERANCES UNLESS OTHERWISE SPECIFIED:                                      |  | APVD<br>M. WALMSLEY<br>12AUG05 | SIZE<br>A2                                                                                  | CAGE CODE<br>00779 |
| 0 PLC ± -<br>1 PLC ± -<br>2 PLC ± -<br>3 PLC ± -<br>4 PLC ± -<br>ANGLES ± - |  | PRODUCT SPEC<br>-              | DRAWING NO<br>C=5552224                                                                     | RESTRICTED TO<br>- |
| MATERIAL                                                                    |  | FINISH                         | WEIGHT<br>-                                                                                 | SCALE<br>2:1       |
| 3                                                                           |  | 3                              | CUSTOMER DRAWING                                                                            | SHEET 1 OF 1 REV C |