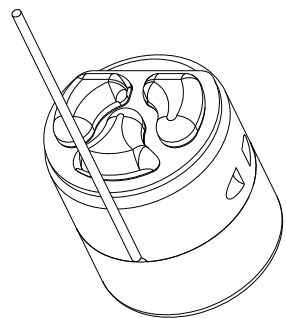
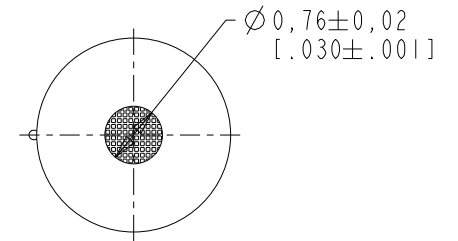
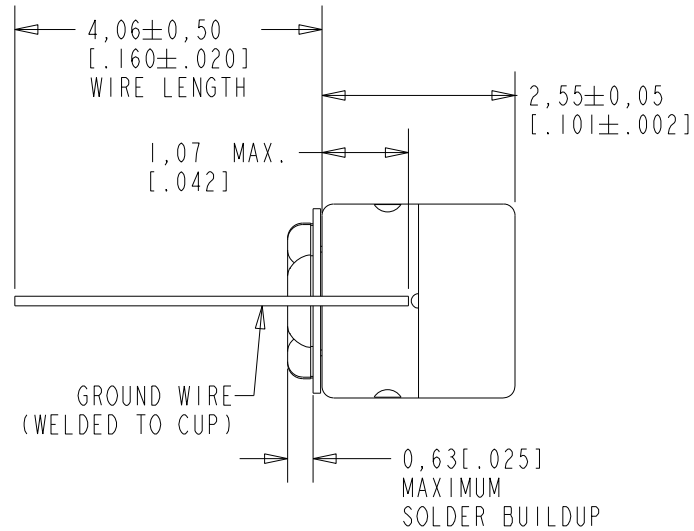
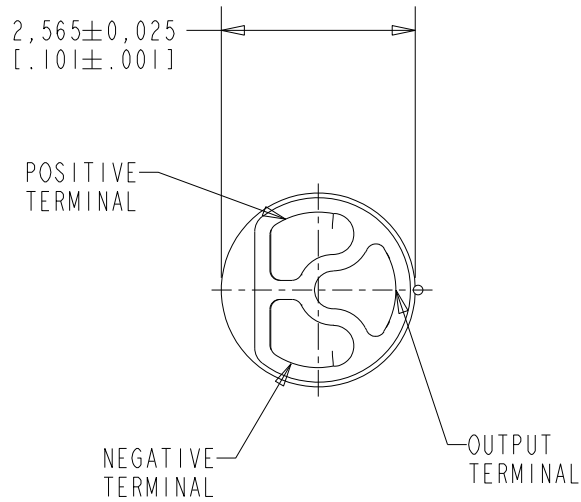


FG45-32335-P03
SHT 1.1

NOTES:

- INCREASED PRESSURE AT THE SOUND INLET CAUSES A POSITIVE GOING VOLTAGE TO APPEAR AT THE OUTPUT TERMINAL, RELATIVE TO THE NEGATIVE TERMINAL.



DIMENSIONS IN MILLIMETERS [INCHES]

RED CONTROLLED

Revision	C.O. #	Implementation Date	RELEASE LEVEL	REVISION
B	M10106474	12-28-15	Active	B
A	C40101457	3-24-15		

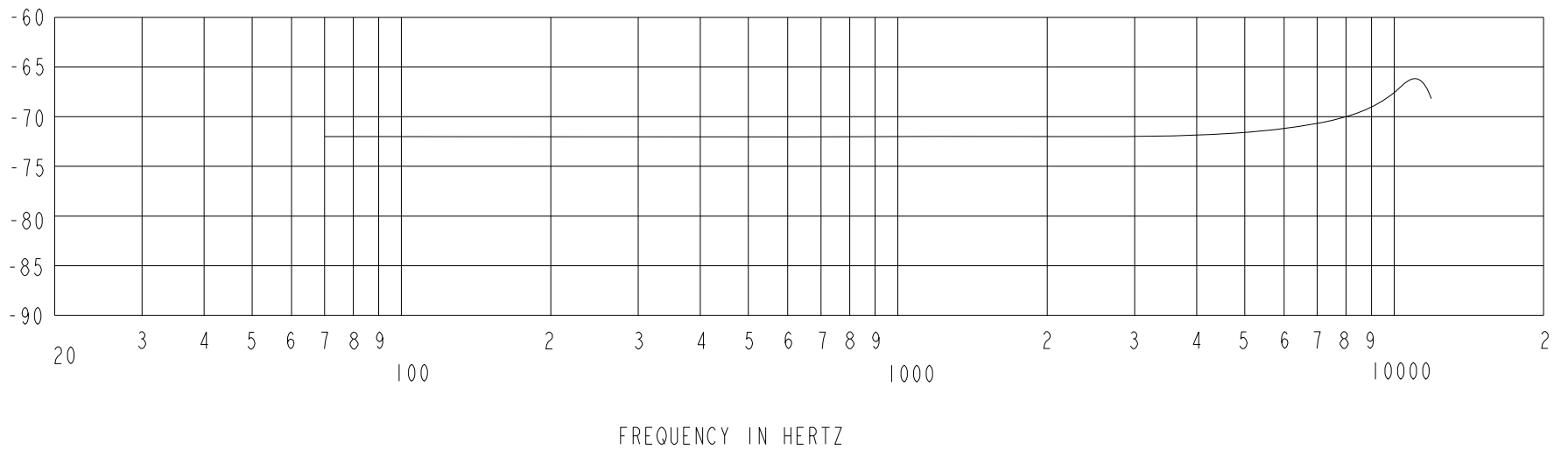
SCALE: 10:1		DR. BY: LW	DATE: 3-24-15
DO NOT SCALE DRAWING			
TITLE: MICROPHONE		APP. BY: GJP	DATE: 3-26-15
OUTLINE DRAWING		FG45-32335-P03	SHT 1.1
		APP. BY: GJP	DATE: 3-26-15

KNOWLES CORPORATION

RoHS COMPLIANT

SENSITIVITY IN dB RELATIVE TO 1.0 VOLT/0.1 Pa (N/M²)
FOR CONDITIONS SHOWN BELOW

TYPICAL SENSITIVITY

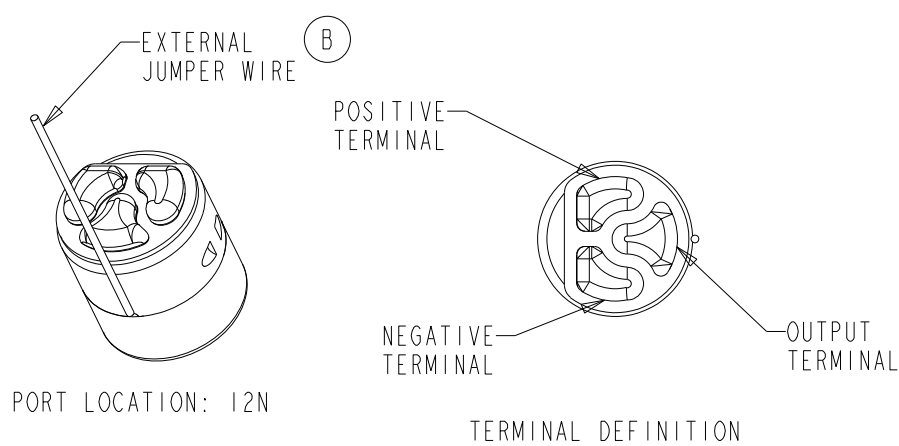


SENSITIVITY MEASURED IN A PRESSURE CAVITY UNDER THE NOMINAL CONDITIONS SHOWN BELOW

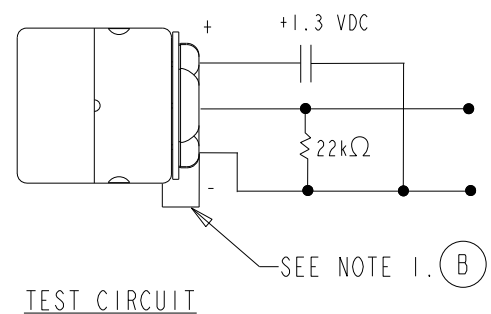
POWER REQUIREMENT					
PARAMETER	UNIT	MINIMUM	NOMINAL	MAXIMUM	REMARKS
DC POWER SUPPLY	VDC	0.9	1.3	10.0	-

PERFORMANCE						
PARAMETERS		UNIT	MINIMUM	NOMINAL	MAXIMUM	REMARKS
SENSITIVITY	80 Hz	dB	-2.0	0	+2.0	re SENSITIVITY AT 1 kHz
	1000 Hz	dB	-75.0	-72.0	-69.0	dB re 1V/0.1Pa
	10000 Hz	dB	1.5	4.5	7.5	re SENSITIVITY AT 1 kHz
SENSITIVITY CHANGE ON REDUCING SUPPLY TO 0.9 VDC	1000 Hz	dB	-3.0	0.0	3.0	REDUCED FROM 1.3 VDC TO 0.9 VDC
AMPLIFIER CURRENT DRAIN		uA	-	17	40	-
OUTPUT LOAD VOLTAGE		V _L	0.20	0.40	0.90	WITH TEST CIRCUIT
A-WEIGHTED NOISE		dB(V)	-108	-101.5	95	REF. 1 Vrms
OUTPUT IMPEDANCE		Ohms	2750	4400	6750	

- NOTES: 1. CASE CONNECTED TO NEGATIVE TERMINAL USING EXTERNAL JUMPER WIRE. (B)
 2. SENSITIVITY AND NOISE VALUES INDICATED ON THIS SPECIFICATION ARE VALID AT 1.3 VDC AND 22kOHM LOAD IMPEDANCE TYPICAL TEST ENVIRONMENT: 50% RH, 21°C (70°F)
 3. MICROPHONE TO BE FUNCTIONAL WITH 10V DC SUPPLY



RED CONTROLLED



Revision	C.O. #	Implementation Date	RELEASE LEVEL	REVISION
B	M10106474	12-28-15	Active	B
A	C40101457	3-24-15		

KNOWLES CORPORATION

TITLE: MICROPHONE PERFORMANCE SPECIFICATION	DR. BY	DATE
	LW	3-24-15
	CK. BY	DATE
	GJP	3-26-15
	APP. BY	DATE
	GJP	3-26-15

FG45-32335-P03
SHT 2.1

PROPRIETARY NOTE: THIS DOCUMENT CONTAINS INFORMATION WHICH IS THE PROPRIETARY PROPERTY OF KNOWLES ELECTRONICS, LLC. OR ITS AFFILIATED ENTITIES. IT IS ISSUED IN STRICT CONFIDENCE AND SHALL NOT BE REPRODUCED, COPIED, USED, OR DISCLOSED TO ANY THIRD PARTY PARTIALLY OR WHOLLY IN ANY MANNER WITHOUT PRIOR WRITTEN PERMISSION OF, AND MUST BE RETURNED UPON REQUEST BY, KNOWLES ELECTRONICS, LLC.

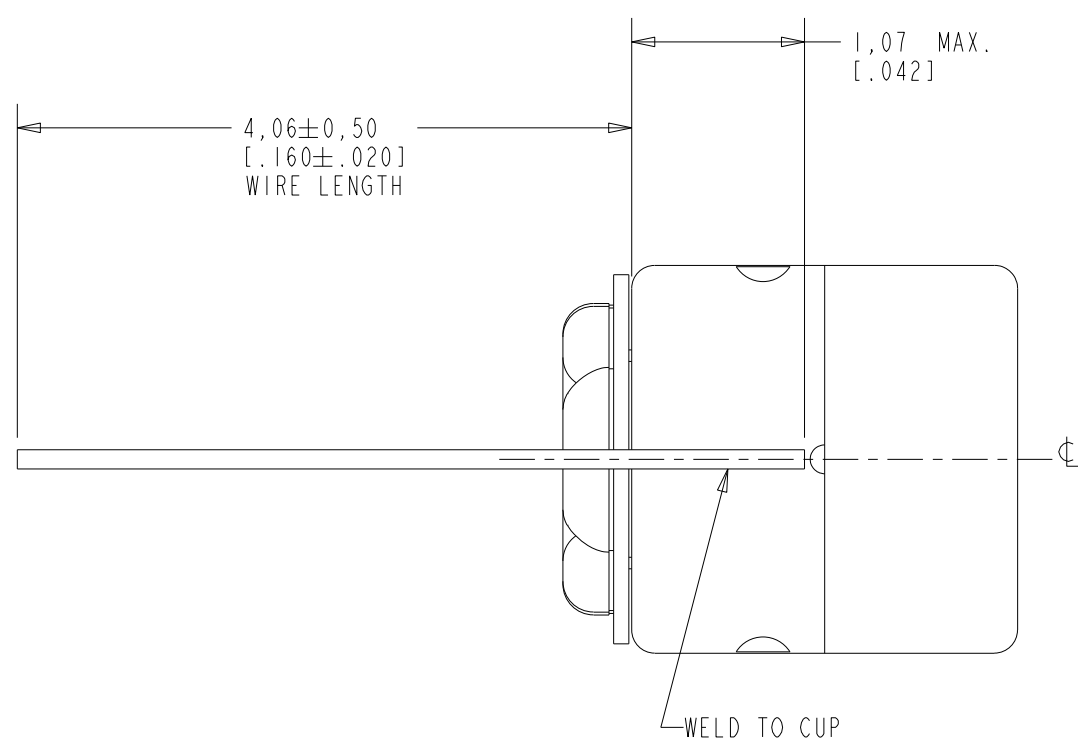
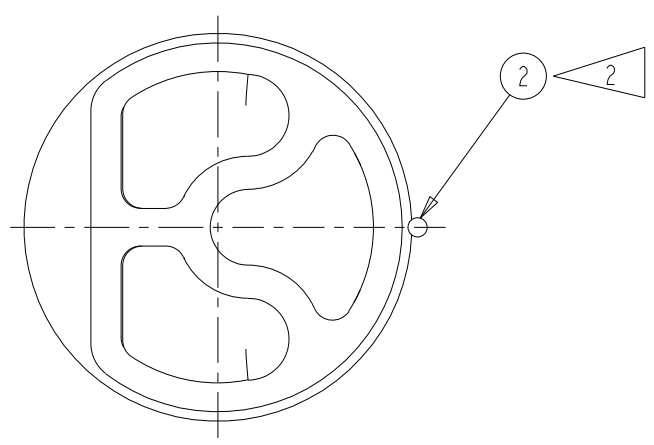
FG45-32335-P03

RED CONTROLLED

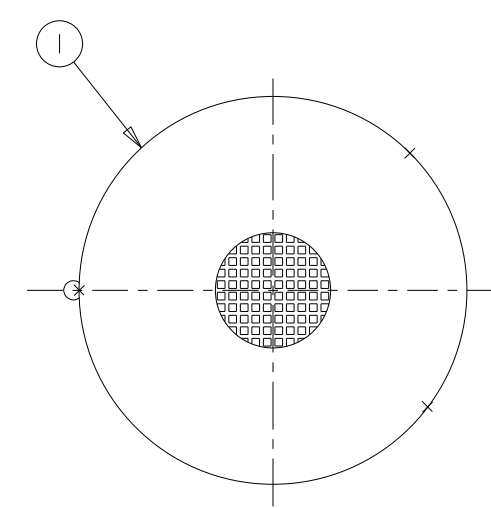
NOTES:

1. ITEM NUMBERS (SHOW THUS ) ON DRAWING CORRESPOND WITH ITEM NUMBERS OR BILL OF MATERIAL.

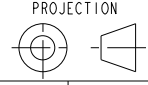
WELD WIRE TO CASE, SEE WELD DETAIL.



WIRE WELD DETAIL



DIMENSIONS IN MILLIMETERS [INCHES]

MATERIAL SEE BILL OF MATERIAL		FINISH ---	SCALE: 20:1	DO NOT SCALE DRAWING
REF.	NONE	UNLESS OTHERWISE SPECIFIED, DIMENSIONS ARE IN INCHES	<p>KNOWLES CORPORATION</p> <p>TITLE MICROPHONE ASSEMBLY</p>	DR. BY DATE
	A c.o. C40101457			LW 3-24-15
	B c.o. M10106474		<p>FG45-32335-P03</p> <p>SHEET 3.1</p>	CH. BY DATE
	MODIFY SHEET 2.1 NANC 12-28-15			GJP 3-26-15
				APP. BY DATE
				GJP 3-26-15

RELEASE LEVEL	REVISION
Active	B

FG45-32335-P03		KNOWLES CORPORATION		FG45-32335-P03	
Sheet 4.1				Sheet 4.1	
Dr.	By LW	Date 3-24-15	Subject: MICROPHONE ASSEMBLY	Revision	
Ch.	GJP	3-26-15		B	
App.	GJP	3-26-15			
COL. 1			2	3	4
Part or Dwg. no.			Tot. Req.	Nomenclature:	Applicable Specs or Remarks
FG45-32335-000			1	MICROPHONE ASSEMBLY	
103-071			A/R	WIRE	
					Item No. Line No.
					1 1
					2 2

RED CONTROLLED

REVISION	A	c.o. C40101457
	B	c.o. M10106474
MODIFY SHT 2.1 MANC 12-28-15		

FG45-32335-P03
Sheet 4.1

PROPRIETARY NOTE: THIS DOCUMENT CONTAINS INFORMATION WHICH IS THE PROPRIETARY PROPERTY OF KNOWLES ELECTRONICS, LLC. OR ITS AFFILIATED ENTITIES. IT IS ISSUED IN STRICT CONFIDENCE AND SHALL NOT BE REPRODUCED, COPIED, USED, OR DISCLOSED TO ANY THIRD PARTY PARTIALLY OR WHOLLY IN ANY MANNER WITHOUT PRIOR WRITTEN PERMISSION OF, AND MUST BE RETURNED UPON REQUEST BY, KNOWLES ELECTRONICS, LLC.

REV: D
RET: BOM/PART AND FIRM

PRODUCTION TEST INFORMATION

SOFTWARE REVISION PXI FCAMT	PXI-DSA 1.1 MIN.
HARDWARE REVISION PXI FCAMT	KE 1069B.13 MIN.

PERFORMANCE					
PARAMETERS	UNIT	MINIMUM	TYPICAL	MAXIMUM	REMARKS
POWER SUPPLY REJECTION RATIO(PSRR)	dB	-	-7.5	-2.0	SUPPLY VOLTAGE @ 1.3 VDC
RFI	0.9 GHz	-	-	-	60V/m, 1kHz AM 80% (Refer to QAP #8480)
	1.9 GHz	-	-	-	
	2.4 GHz	-	-	-	

RED CONTROLLED

Revision	C.O. #	Implementation Date	RELEASE LEVEL	REVISION
B	M10106474	12-28-15	Active	B
A	C40101457	3-24-15		

KNOWLES CORPORATION

WHEN TEST LIMITS ARE USED TO ESTABLISH INCOMING INSPECTION ACCEPTANCE/REJECTION CRITERIA, CORRELATION OF TEST EQUIPMENT WITH KNOWLES IS ALSO REQUIRED FOR ELIMINATION OF EQUIPMENT AND TEST METHOD VARIATION

TITLE: MICROPHONE
PERFORMANCE SPECIFICATION

FG45-32335-P03
SHT 5.1

DR. BY	DATE
LW	3-24-15
CK. BY	DATE
GJP	3-26-15
APP. BY	DATE
GJP	3-26-15