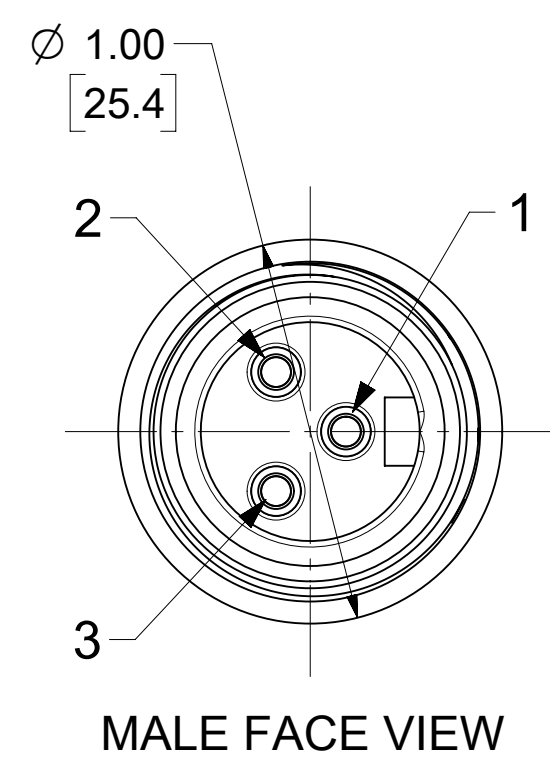
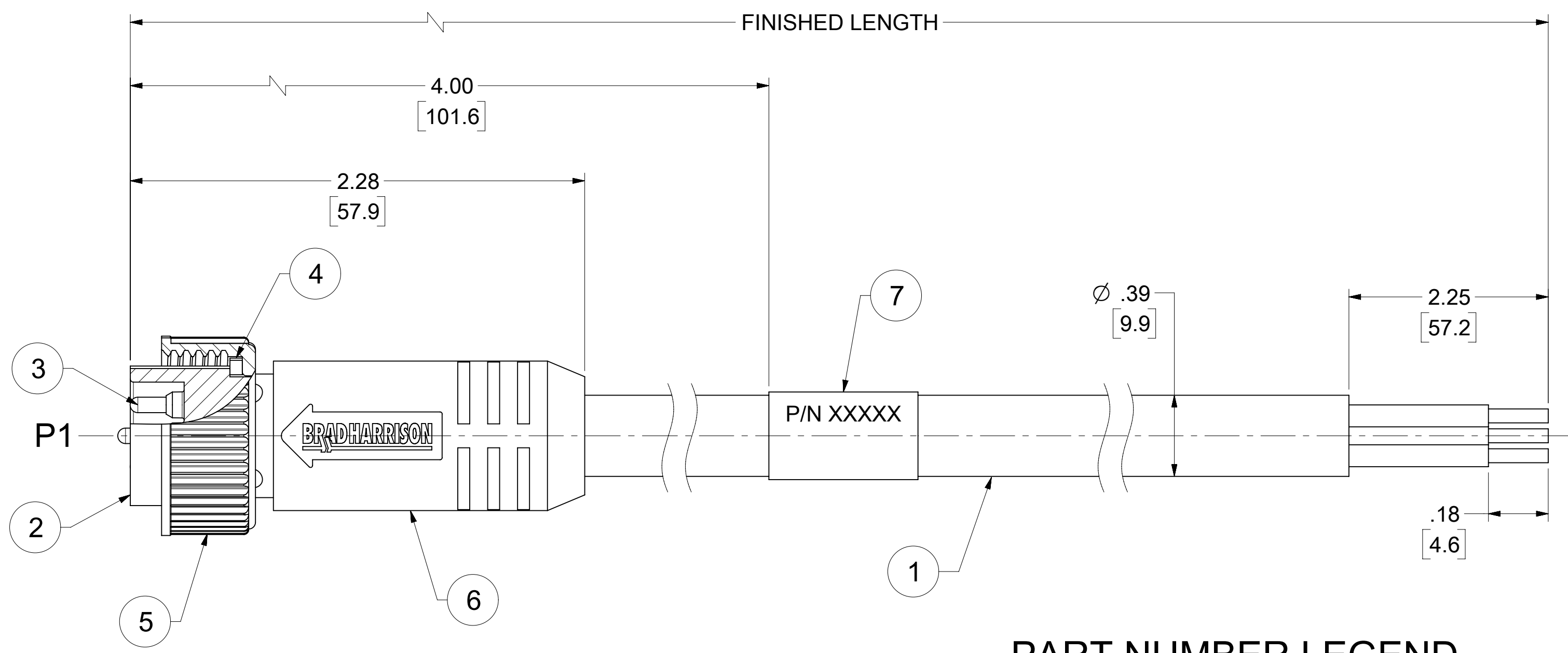
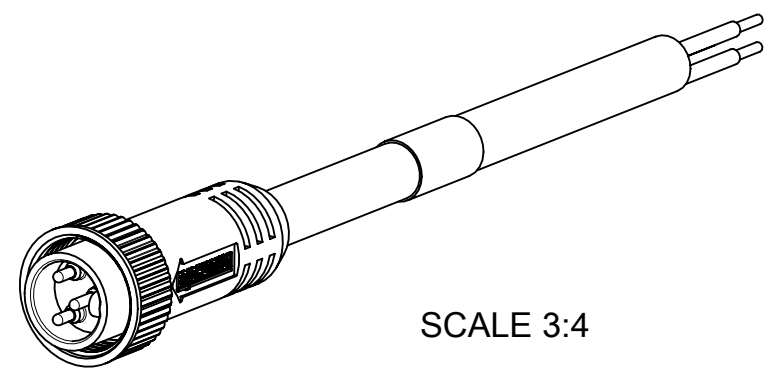


MATERIAL NO.	ENGINEERING NO.	FINISHED LENGTH
1300060529	103002A01F030	3 FT. (0.91 M)
1300060549	103002A01F200	20 FT. (6.10 M)
1300062597	103002A01F270	27 FT. (8.23 M)

CABLE LENGTH TOLERANCES
 <.3M [1FT]: +19mm-0 [+.75in-0]
 .3 - .9M [1 - 3FT]: +44.5mm-0 [+1.75in-0]
 .9 - 1.8M [3 - 6FT]: +55.6mm-0 [+2.19in-0]
 1.8 - 3.7M [6 - 12FT]: +88.9mm-0 [+3.50in-0]
 3.7 - 7.3M [12 - 24FT]: +165.1mm-0 [+6.50in-0]
 7.3-14.6M [24 - 48FT]: +317.5mm-0 [+12.50in-0]
 14.6 - 30.5M [48-100FT]: +622.3mm-0 [+24.50in-0]
 OVER 30M [100FT] +2% OF FINISHED LENGTH



- NOTES:**
- MATERIAL: AS NOTED
 - FINISH: AS NOTED
 - ELECTRICAL:
 VOLTAGE: 500V PER IEC60664
 600V PER UL2238
 CURRENT: 13A
 - TEMP RATING: -20°C TO +105°C
 - PROTECTION: IP67 (WHEN MATED)
 - CSA CERTIFIED FILE: LR6837
 - UL RECOGNIZED FILE: E152210
 - COUPLING THREAD: 7/8"-16 UN
 - ALL DIMS ARE FOR REFERENCE UNLESS TOLERANCED OR NOTED OTHERWISE

WIRING DIAGRAM

P1	Color
1	GREEN/YELLOW
2	BLACK
3	WHITE

PART NUMBER LEGEND

103002A01F030

FINISHED LENGTH
 F001 = 0.1 FT.
 F010 = 1.0 FT.
 F100 = 10 FT.

ITEM	DESCRIPTION	MATERIAL	FINISH
7	WRAP LABEL	VINYL	BLACK/YELLOW
6	OVERMOLD	TPE	YELLOW
5	COUPLING NUT	ZINC DIE-CAST	BLACK E-COAT
4	FRICTION RING	NYLON	WHITE
3	PIN CONTACT	Cu ALLOY	GOLD OVER NICKEL
2	MALE INSERT	TPE	YELLOW
1	#16-3 CABLE,STOOW/ST	PVC JACKET	YELLOW

FUNCTIONAL SYMBOLS	THIS DRAWING CONTAINS INFORMATION THAT IS PROPRIETARY TO MOLEX ELECTRONIC TECHNOLOGIES, LLC AND SHOULD NOT BE USED WITHOUT WRITTEN PERMISSION		CURRENT REV DESC: UPDATED ITEM #2.6 WERE PVC 7 WAS PLASTIC FILM, AND MATERIAL P/N TABLE. ADDED CSA, UL, IEC VOLT, TEMP RATING, IP RATING, TOL. CHART	
	DIMENSION UNITS	SCALE	EC NO: 718076	
	INCH/MM	1:1	DRWN: VHANDI	2021/09/19
	GENERAL TOLERANCES (UNLESS SPECIFIED)		CHK'D: RSTONE	2022/08/18
DIVISIONAL SYMBOLS	4 PLACES	±	APPR: BWOODMAN	2022/08/22
	3 PLACES	±	INITIAL REVISION:	
	2 PLACES	±	DRWN: LHARTMANN	2009/06/05
	1 PLACE	±	APPR: JFMURPHY	2009/06/08
0 PLACES		±	DRAWING SERIES	
ANGULAR TOL		± °	C-SIZE	130006
DRAFT WHERE APPLICABLE MUST REMAIN WITHIN DIMENSIONS		THIRD ANGLE PROJECTION	MATERIAL NUMBER	CUSTOMER
			SEE TABLE	GENERAL MARKET

DOCUMENT NUMBER		DOC TYPE	DOC PART	REVISION
SD-130006-003		PSD	001	D
MATERIAL NUMBER	CUSTOMER	SHEET NUMBER		
SEE TABLE	GENERAL MARKET	1 OF 1		