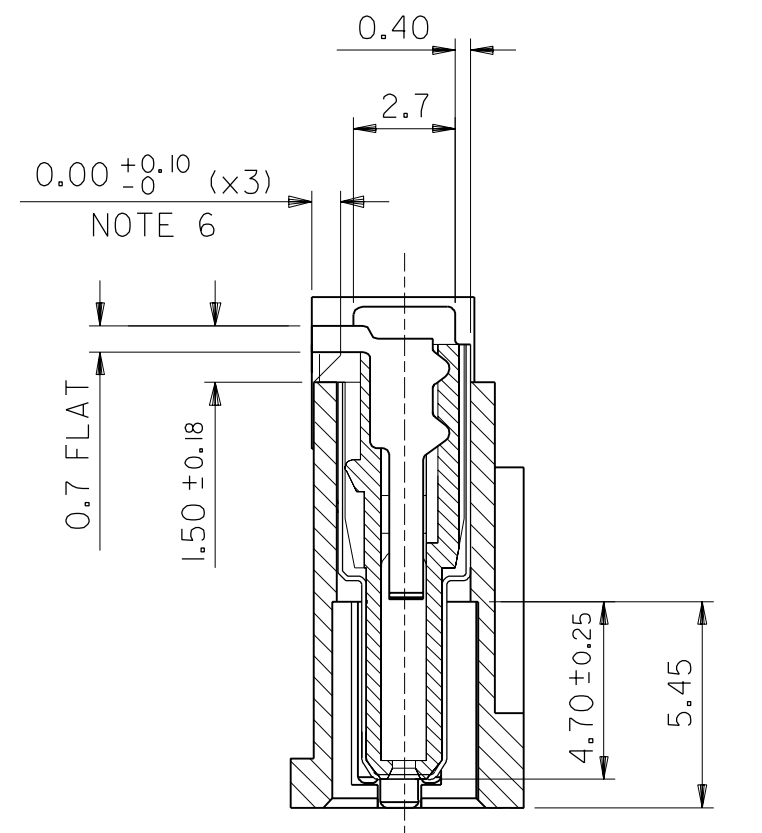
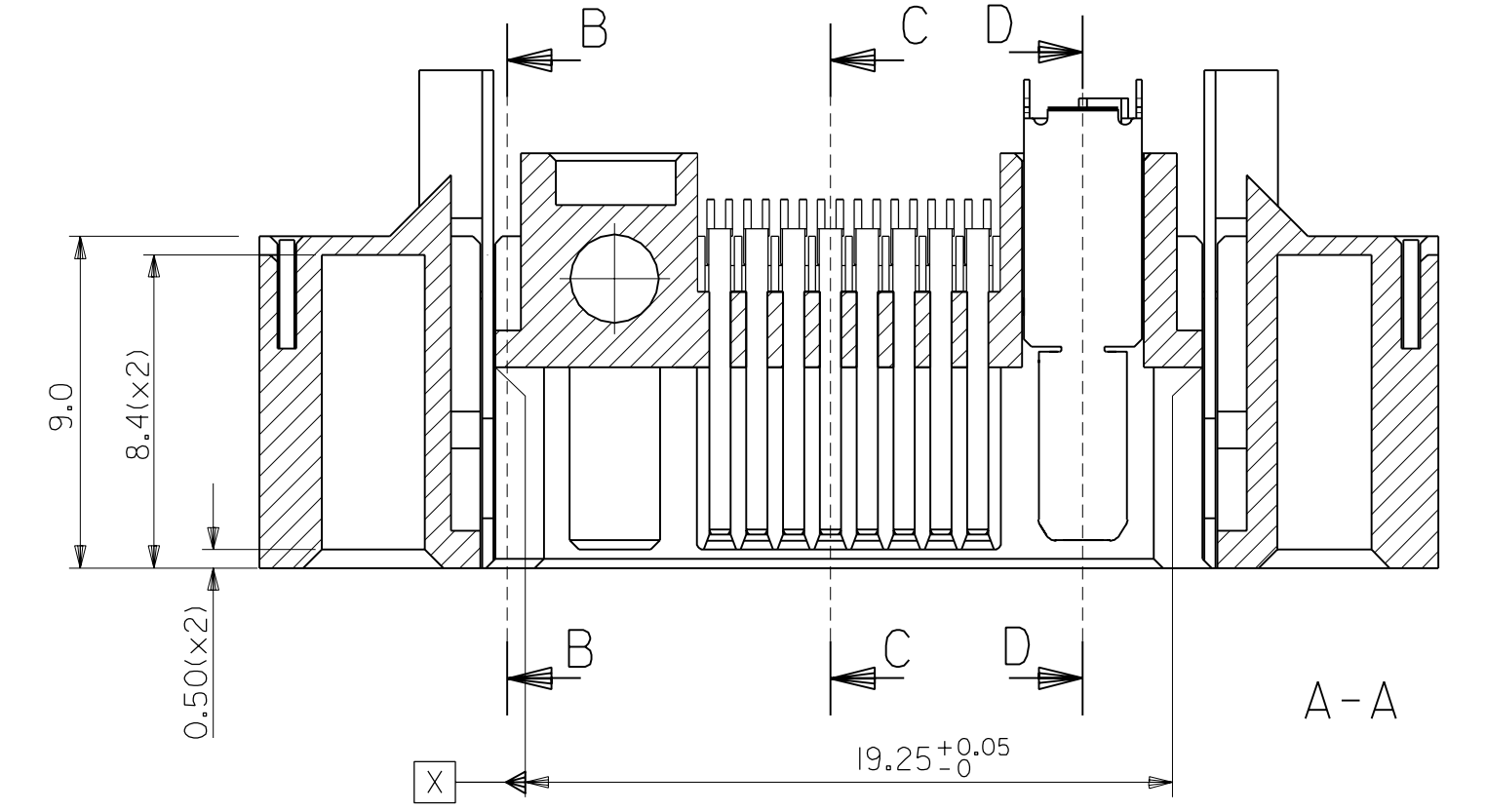


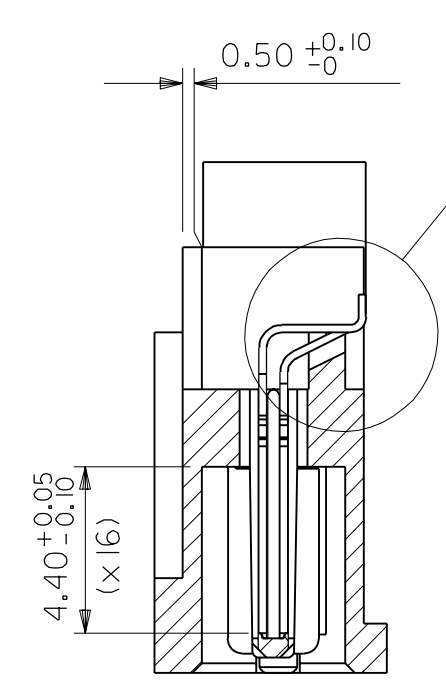
TERMINAL COPLANARITY  
SCALE 10 : 1



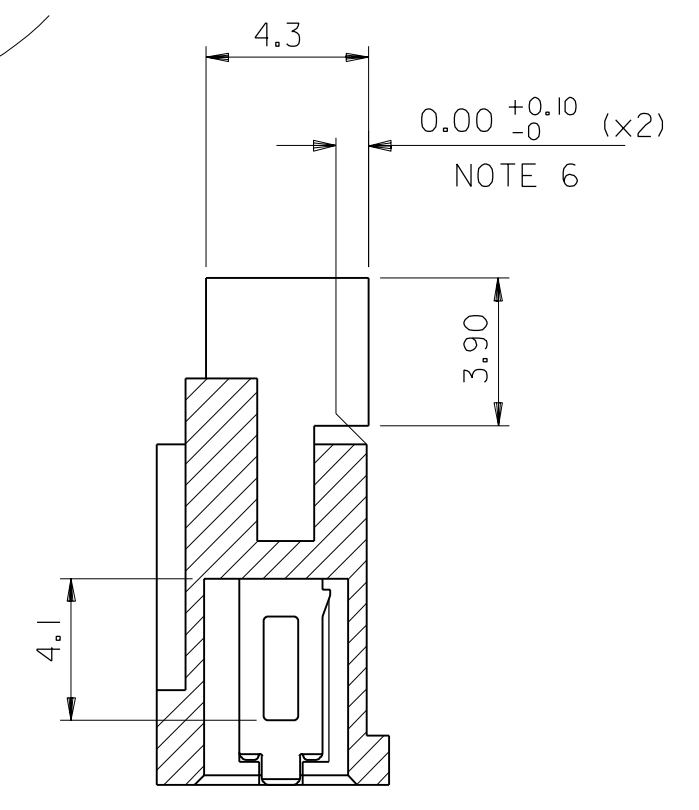
D-D



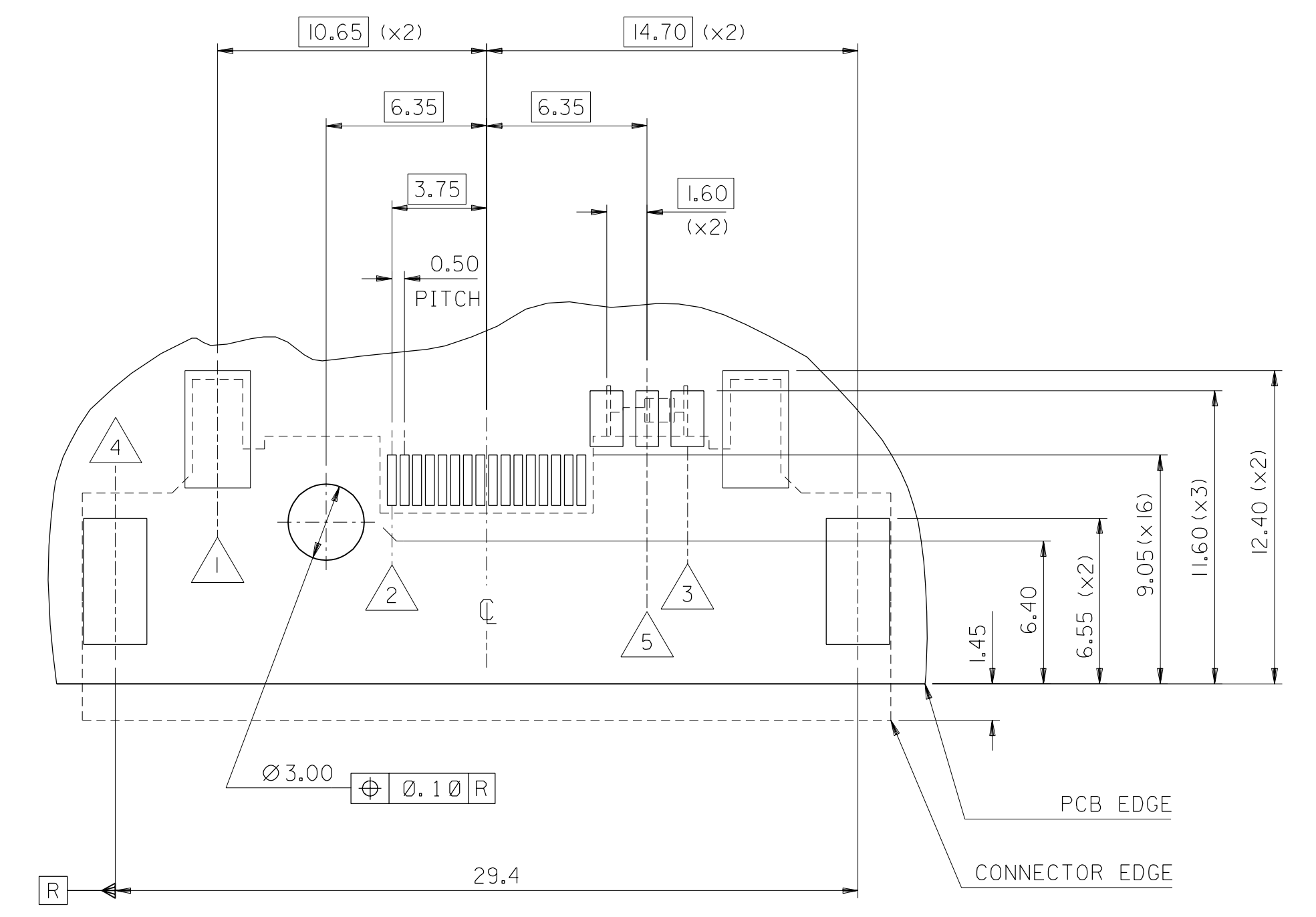
A-A



C-C

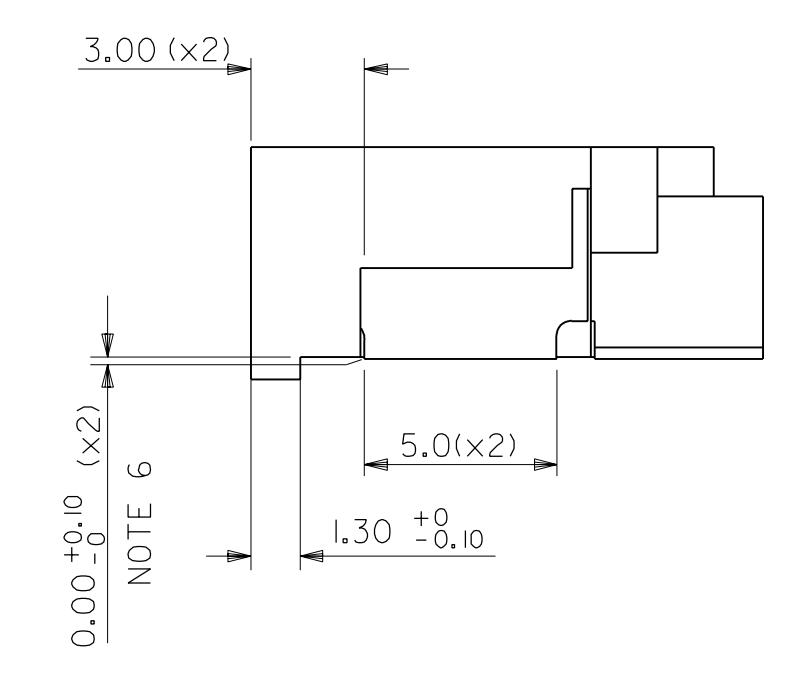
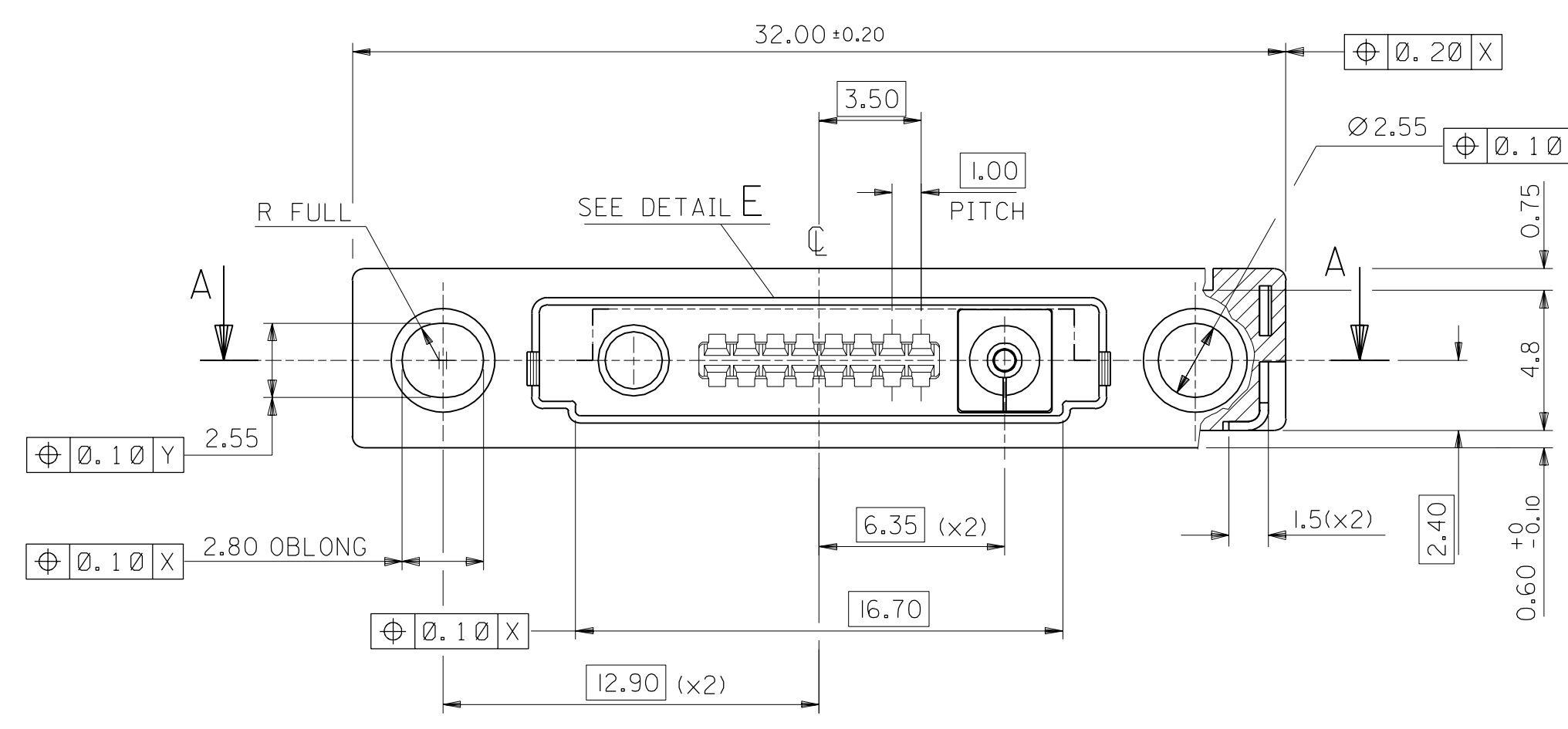


B-B

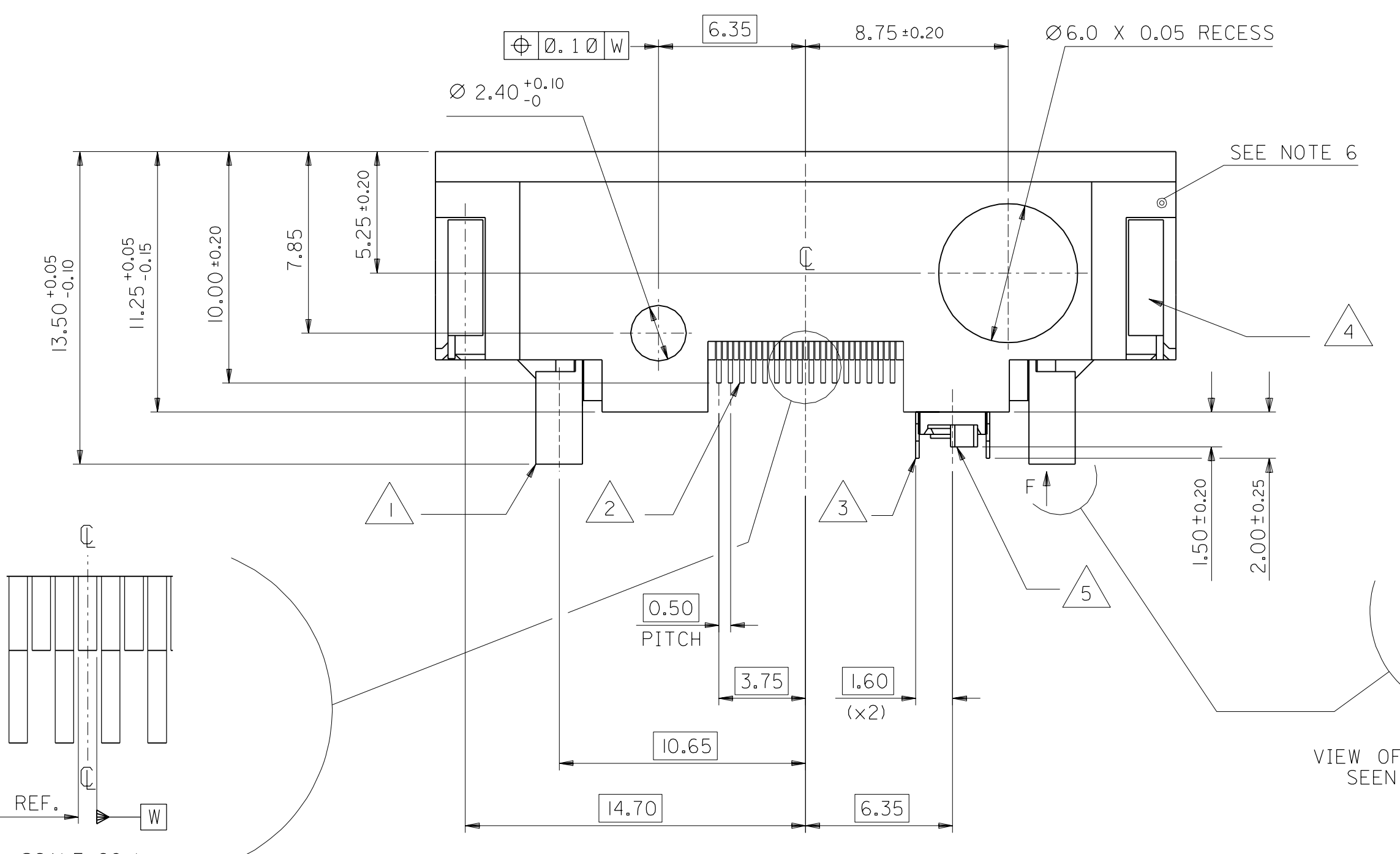


RECOMMENDED PCB LAYOUT.

COMPONENT	PITCH	RECOMMENDED PCB PAD DIMENSION	QTY
LOCKING LATCHES	1	2.60 x 4.65	Ø0.10 R (x2)
SIGNAL CONTACTS	2	0.35 ± 0.05 x 2.0	Ø0.10 R (x16)
OUTER CO-AX CONDUCTOR	3	1.30 x 2.2	Ø0.10 R (x2)
SMT RETENTION PADS	4	2.50 x 5.0	Ø0.10 R (x2)
CENTRE CO-AX CONDUCTOR	5	0.90 x 2.2	Ø0.10 R (x1)

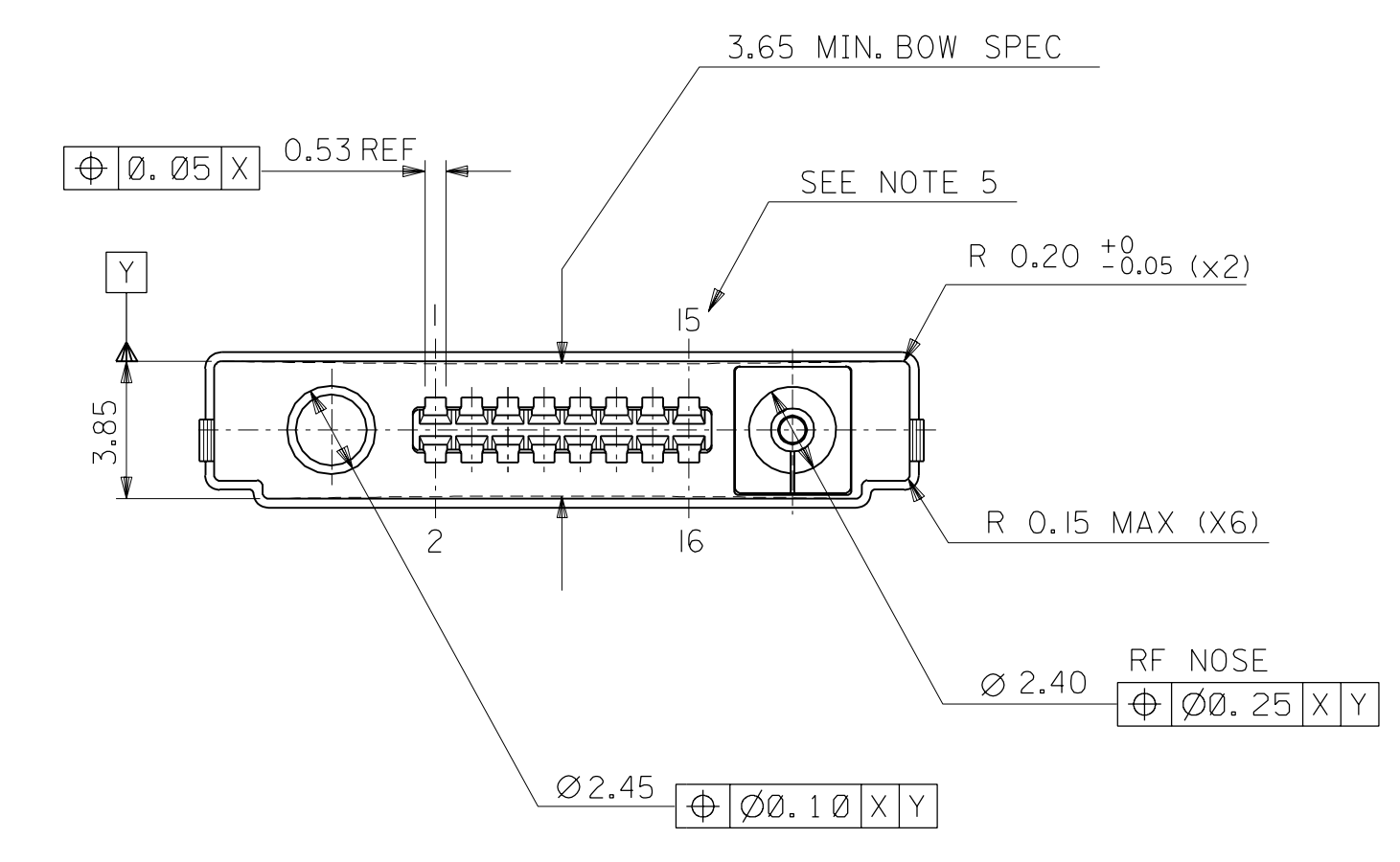


NOTE 6



SCALE 20:1

VIEW OF SMT LOCKING LATCH  
SEEN FROM DIRECTION F



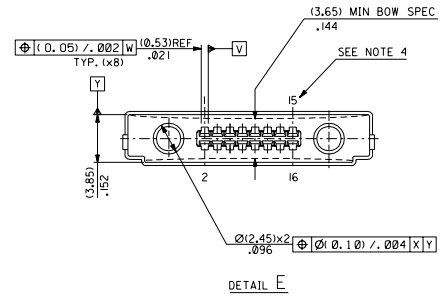
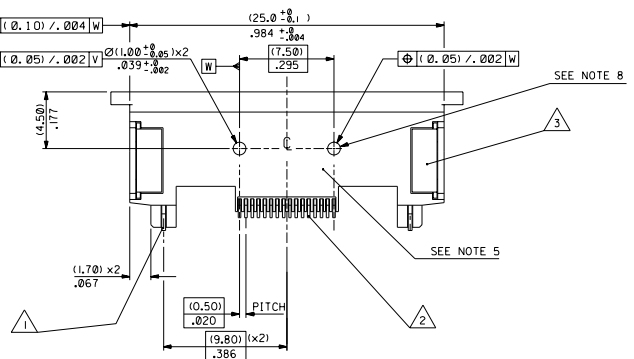
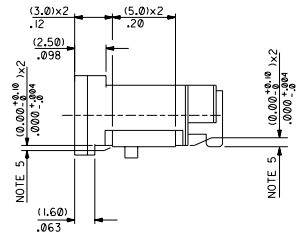
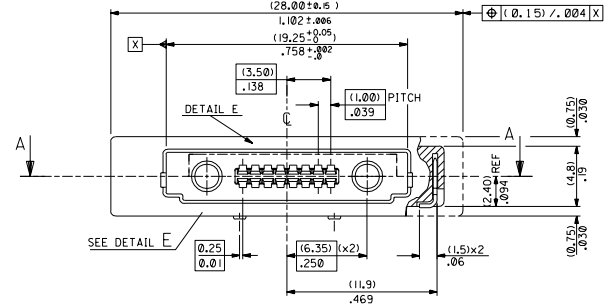
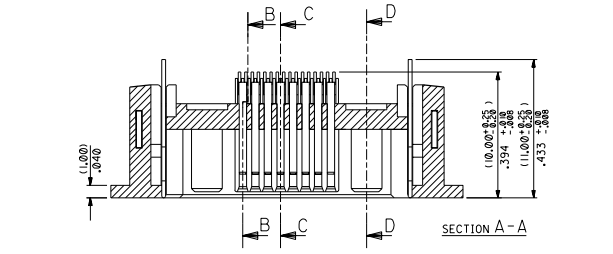
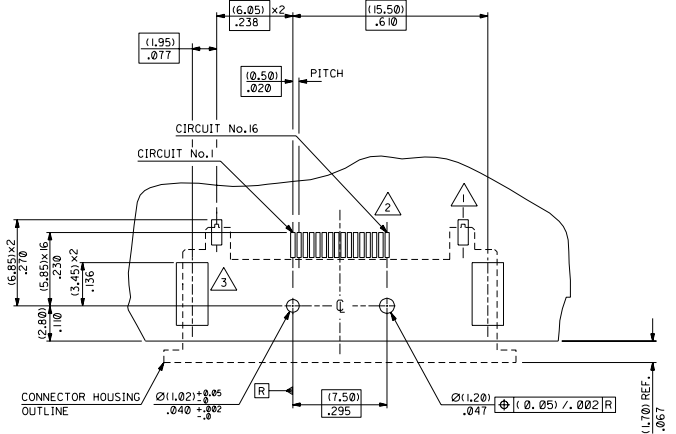
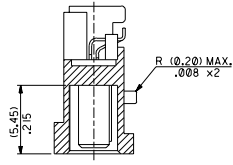
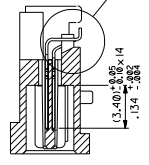
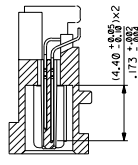
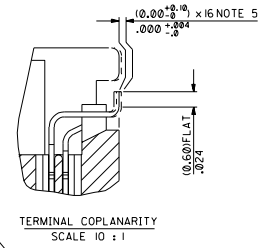
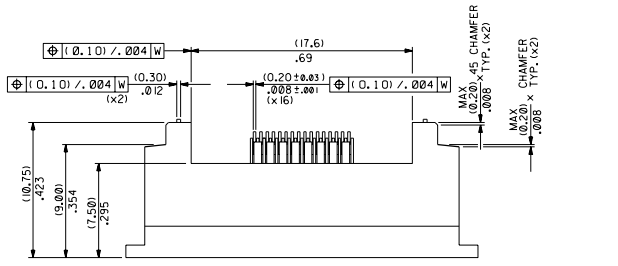
DETAIL E

NOTES:

- MATERIALS:  
HOUSING: NYLON 46 50% GLASS FILLED COLOUR BLACK  
SMT RETENTION PADS : PHOSPHOR BRONZE 0.30 REF. THICK.  
PLATING: 3-5um TIN OVER 1.27um NICKEL.  
LOCKING LATCHES : PHOSPHOR BRONZE 0.30 REF. THICK.  
PLATING: 3-5um TIN OVER 1.27um NICKEL.  
SIGNAL CONTACTS: PHOSPHOR BRONZE 0.20 REF. THICK.  
PLATING: 1.27um MIN. NICKEL UNDERCOAT OVERALL.  
GOLD FLASH 0.1um MIN. OVER PALLADIUM NICKEL 1.0um MIN.  
IN CONTACT AREA. 3.0um MIN. TIN ALL OVER ON TAIL SECTION.
- MATES WITH 90813 SERIES PLUG CONNECTOR.  
90812 SERIES CRADLE CONNECTOR.
- SEE PRODUCT SPECIFICATION PS-99020-0045.
- RF CONNECTOR PART NUMBER 90854-0003.
- POWER CONTACTS TO BE ON CIRCUITS 1,2,15,16.
- SIGNAL TERMINALS TO LIE WITHIN A COPLANARITY BAND OF 0.05 - 0.15 REF. BELOW HOUSING BASE.  
ALL OTHER SMT TAILS TO LIE WITHIN A COPLANARITY BAND OF 0.0 - 0.1 REF. BELOW HOUSING BASE.
- PACKAGING: TAPE AND REEL. SEE DRAWING NO. SDA-90811-900.

PRE-RELEASE  
REFERENCE  
USE ONLY

LEAD FREE CONVERSION ECN: E2004-0792 DRN: PSHEHAN DATE: 04/02/20	THIRD ANGLE PROJECTION	REVISE ONLY ON CAD SYSTEM	SH. REV.
	DIMENSIONS SHOWN (METRIC) INCH UNLESS OTHERWISE SPECIFIED TOLERANCES: ANGULAR ± 2°	THIS DRAWING CONTAINS INFORMATION THAT IS PROPRIETARY TO MOLEX INC. & SHOULD NOT BE USED WITHOUT WRITTEN PERMISSION	
REVISIONS	DRWG BY MK	CHECKED BY	TITLE
3 PLACE ±			MOBILE PHONE I/O CONNECTOR
2 PLACE ±	± 0.05		
1 PLACE	± 0.10		
APP'D BY	SCALE	MOLEX MOLEX EUROPE	SHEET NO. DATE
	5:1		IOF1 97/01/15
LTR		PART NO.	SIZE
		90811-0005	SDA-90811-0005 D



COMPONENT	P.C.B PAD DIMENSION	QTY
LOCKING LATCHES	$(0.80) \times (0.31) \times (2.01) \times (0.12)$ $\Phi(0.10) \times (0.04)$	(x2)
SIGNAL CONTACTS	$(0.35 \pm 0.05) \times (0.14 \pm 0.02) \times (2.01) \times (0.08)$ $\Phi(0.05) \times (0.02)$	(x16)
SMT RETENTION PADS	$(2.51) \times (0.98) \times (5.01) \times (0.19)$ $\Phi(0.10) \times (0.04)$	(x2)

- NOTES:**
- MATERIALS: NYLON 46 50% GLASS FILLED, COLOUR BLACK  
SMT RETENTION PADS: PHOSPHOR BRONZE (0.30)/0.12 REF. THICK.  
PLATING: 3-5um/118-197um TIN.  
OVER (1.2um)/0.50um NICKEL.  
LOCKING LATCHES: PHOSPHOR BRONZE (0.30)/0.12 REF. THICK.  
PLATING: 3-5um/118-197um TIN.  
OVER (1.2um)/0.50um NICKEL.  
SIGNAL CONTACTS: PHOSPHOR BRONZE (0.20)/0.08 REF. THICK.  
PLATING: (1.2um)/0.50um MIN. NICKEL UNDERCOAT OVERALL.  
GOLD FLASH (0.1um)/0.04um MIN.  
OVER PALLADIUM NICKEL (1.0um)/0.39um MIN. IN CONTACT AREA. (3.0um)/1.18um MIN. TIN ON TAIL SECTION.
  - MATES WITH 90813 SERIES PLUG CONNECTOR.
  - SEE PRODUCT SPECIFICATION PS 99020-0033.
  - POWER CONTACTS TO BE ON CIRCUITS 6,14,15.
  - ALL SMT TAILS TO LIE WITHIN A COPLANARITY BAND OF  $(0.01) \times (0.01) \times (0.04)$  REF. FROM EACH OTHER AND BELOW HOUSING BASE
  - FIRST MAKE LAST BREAK CIRCUITS No. 2 & 16 TO BE COMMON.
  - COMPONENT PACKAGING TO BE PACKED IN EMBOSSED TAPE  
SEE SDA-90811-0201
  - P.C.B LOCATION PEGS

REMOVE LEAD FROM PLATING EC NO. E2084-8674 DRWG. DESIGNER: 85/8/04 CHK: APPR:	DESCRIPTION: <b>MAJOR</b> CRITICAL	GENERAL TOLERANCES: (UNLESS SPECIFIED): mm INCH 4 PLACES $\pm 0.1$ $\pm$ 3 PLACES $\pm 0.05$ $\pm 0.002$ 2 PLACES $\pm 0.05$ $\pm 0.004$ 1 PLACE $\pm 0.10$ $\pm$ ANGULAR: $\pm 1/2^\circ$	SCALE: 5:1 DESIGN UNITS: mm INCH DRAWN BY & DATE: DAB 94/11/17 CHECKED BY & DATE: APPROVED BY & DATE:	DIMENSIONS: mm INCH SHT: REV: 1 OF 1 REVISION: CAD ONLY
		TITLE: RECEPTACLE I/O CONNECTOR FOR MOBILE PHONE HANDSET MOLEX INCORPORATED	MATERIAL NO. 90811-9201 DRAWING NO. SDA-90811-9201	SHEET NO. 1 OF 1
		DRAFT WHERE APPLICABLE MUST REMAIN WITHIN DIMENSIONS	THIS DRAWING CONTAINS INFORMATION THAT IS PROPRIETARY TO MOLEX INCORPORATED AND SHOULD NOT BE USED WITHOUT WRITTEN PERMISSION.	SIZE D
		CAD FILENAME:		