

4

3

2

1

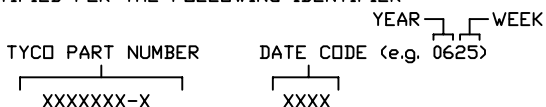
This drawing involves proprietary design rights of Tyco Electronics Corporation, and all design, manufacture, reproduction, use and sale rights regarding the same are expressly reserved. It is submitted for a specific purpose and the recipient by accepting this drawing, assumes custody and control and agrees to take reasonable precautions: (a) that this drawing will not be copied and reproduced, in whole or in part, or its contents revealed in any manner; or to any person except to meet the purpose for which it was delivered and (b) that any special features peculiar to this design will not be incorporated in other projects without the expressed written permission of Tyco Electronics Corporation.

REVISIONS			
EC	REV	DESCRIPTION	DATE
CPR	A	NEW RELEASE	05/30/06

NOTES: UNLESS OTHERWISE SPECIFIED;

- PART NUMBER CHANGES AND OR DESIGN CHANGES AFFECTING ITEM INTERCHANGEABILITY REQUIRE PRIOR TYCO APPROVAL AND AUTHORIZATION BY REVISION TO THIS DRAWING.
- MATERIALS:
INSULATORS: THERMOPLASTIC, GLASS REINFORCED, COLOR-BLACK UL94V-0 FLAMMABILITY RATED.
COMPLIANT PRESS FIT: COPPER ALLOY

- FINISHES:
CONTACTS: SELECTIVE GOLD PLATED, .000030" MIN THICK OVER NICKEL PLATED, .000050" MIN THICK.
TERMINALS: TIN PLATED, .000040" MIN THICK OVER NICKEL PLATED, .000050" MIN THICK.
- ITEMS PROVIDED TO THIS SPECIFICATION TO BE PERMANENTLY IDENTIFIED PER THE FOLLOWING IDENTIFIER:

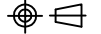




5. CONNECTOR INFORMATION

CONNECTOR	CONTACT	QTY	PIN/BLADE SIZE	MAX CURRENT (PER CONTACT)	CONTACT SPACING	VOLTAGE RATING*
SOCKET	DC POWER 1	3	1.25 X 7.00 [.049 X .276]	35 AMPERES	4.50 [1.771]	125 VOLTS

*IAW IEC-950

1766976-1	AS SHOWN
PART NUMBER	DESCRIPTION

 THIRD ANGLE PROJECTION UNLESS OTHERWISE SPECIFIED DIMENSIONS ARE IN METRIC [INCHES] TOLERANCES ANGLES ± .5° DECIMALS .XX ± .25 [.010] .X ± .5 [.020]	DRAWN R. F. A. CHECKED	DATE 11/15/05	 Tyco Electronics Corporation Menlo Park, Ca 94025 	
	APPROVED			TITLE
	APPROVED	STEVE FLICKINGER	05/30/06	CONNECTOR, SOCKET STRAIGHT, COMPLIANT PRESS FIT MINIPAK
	DCA APPROVED	HA NGUYEN	05/30/06	
ACAD FILE NUMBER	C1766976A.DWG		SIZE DWG NUMBER B C = 1766976	
			REV. A	
			DWG SCALE 2=1 SH 1 OF 3	

4

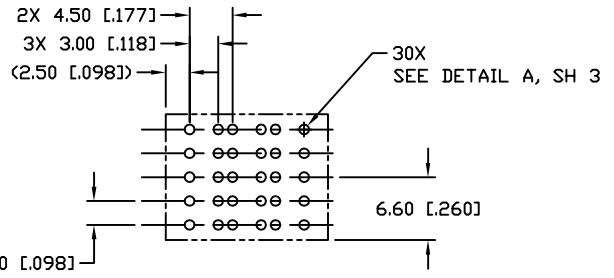
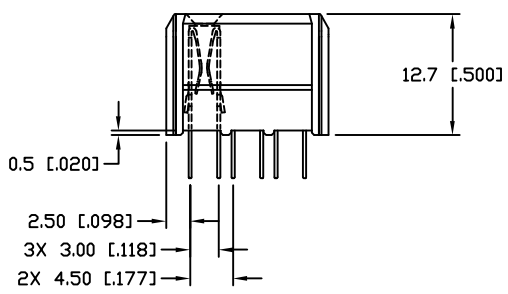
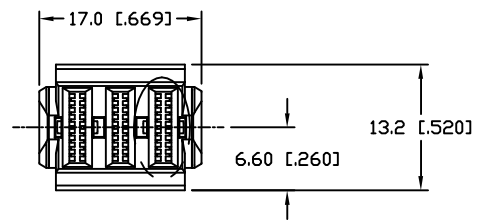
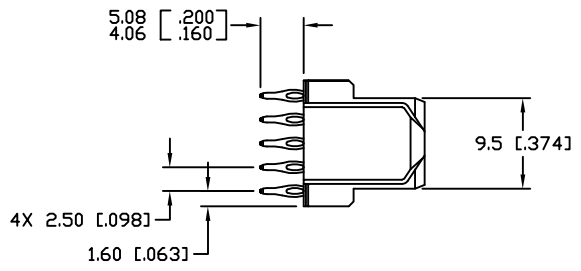
3

2

1

This drawing involves proprietary design rights of Tyco Electronics Corporation, and all design, manufacture, reproduction, use and sale rights regarding the same are expressly reserved. It is submitted for a specific purpose and the recipient by accepting this drawing, assumes custody and control and agrees to take reasonable precautions: (a) that this drawing will not be copied and reproduced, in whole or in part, or its contents revealed in any manner, or to any person except to meet the purpose for which it was delivered and (b) that any special features peculiar to this design will not be incorporated in other projects without the expressed written permission of Tyco Electronics Corporation.

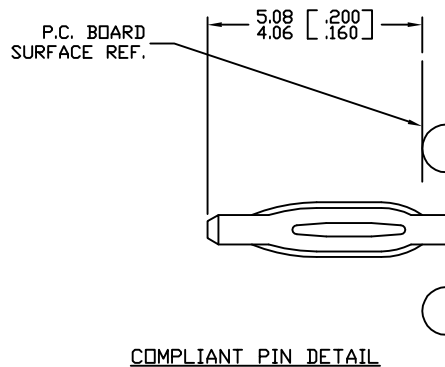
REVISIONS			
EC	REV	DESCRIPTION	DATE
		SEE SHEET 1	



PRINTED CIRCUIT BOARD LAYOUT

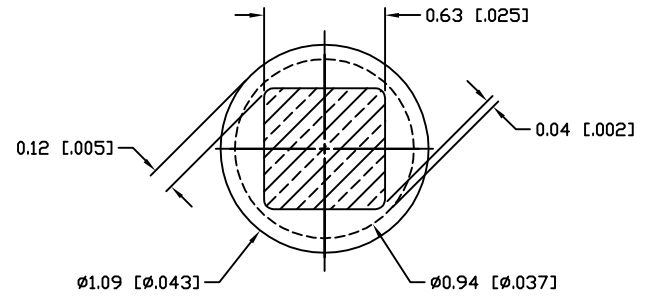
MM OR MM [INCH] INCH THIRD ANGLE PROJECTION UNLESS OTHERWISE SPECIFIED DIMENSIONS ARE IN METRIC [INCHES] TOLERANCES ANGLES ± .5° DECIMALS .XX ± .25 [.010] .X ± .5 [.020]	DRAWN R. F. A.	DATE 11/15/05	 Tyco Electronics Corporation Menlo Park, Ca 94025 	
	CHECKED	TITLE CONNECTOR, SOCKET STRAIGHT, COMPLIANT PRESS FIT MINIPAK		
	APPROVED	APPROVED STEVE FLICKINGER DCA APPROVED HA NGUYEN	DATE 05/30/06 05/30/06	SIZE B
	ACAD FILE NUMBER C1766976A.DWG	DWG NUMBER C = 1766976	REV. A	DWG SCALE 2=1 SH 2 OF 3

This drawing involves proprietary design rights of Tyco Electronics Corporation, and all design, manufacture, reproduction, use and sale rights regarding the same are expressly reserved. It is submitted for a specific purpose and the recipient by accepting this drawing, assumes custody and control and agrees to take reasonable precautions: (a) that this drawing will not be copied and reproduced, in whole or in part, or its contents revealed in any manner, or to any person except to meet the purpose for which it was delivered and (b) that any special features peculiar to this design will not be incorporated in other projects without the expressed written permission of Tyco Electronics Corporation.



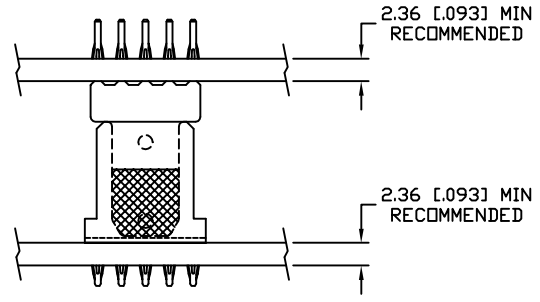
COMPLIANT PIN DETAIL
 SCALE: 10 : 1
 INSERTION/EXTRACTION FORCES
 MAXIMUM PUSH IN: 133.3N PER PIN [30 LBS]
 MINIMUM PUSH OUT: 44.4N PER PIN [10 LBS]

REVISIONS			
EC	REV	DESCRIPTION	DATE
		SEE SHEET 1	

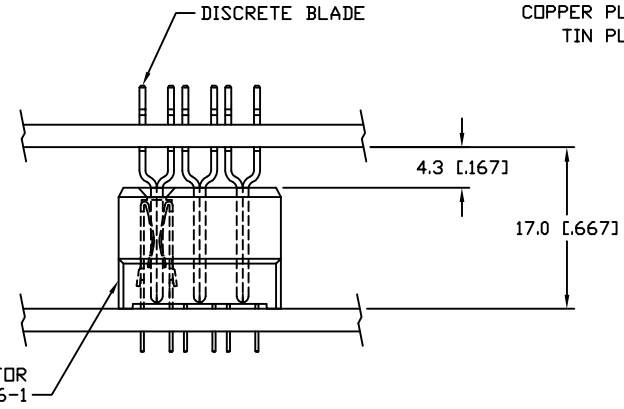


SOLDER TERMINATION AREA
 SCALE: 40 : 1
 RECOMMENDED PRINTED CIRCUIT HOLE
 COMPLIANT PRESS FIT
 DRILLED HOLE: $\phi 1.15 \pm 0.013$ [$\phi 0.0453 \pm 0.0005$]
 COPPER PLATE: 0.025 [0.0010] - 0.050 [0.0020]
 TIN PLATE: .0005 [0.00002] MINIMUM (PER SURFACE)

DETAIL A



MATED CONDITION



SOCKET CONNECTOR
 1766976-1

UNLESS OTHERWISE SPECIFIED DIMENSIONS ARE IN METRIC [INCHES] TOLERANCES ANGLES $\pm .5^\circ$ DECIMALS .XX $\pm .25$ [0.010] .X $\pm .5$ [0.020]	DRAWN R. F. A.	DATE 11/15/05	Tyco Electronics Corporation Menlo Park, Ca 94025		
	CHECKED	TITLE USER INFORMATION COMPLIANT TAIL TERMINATION AND MATED CONDITION			
	APPROVED STEVE FLICKINGER	DATE 05/30/06	SIZE B	DWG NUMBER C = 1766976	REV. A
	APPROVED DCA APPROVED HA NGUYEN	DATE 05/30/06	ACAD FILE NUMBER C1766976A.DWG	DWG SCALE 2=1	SH 3 OF 3