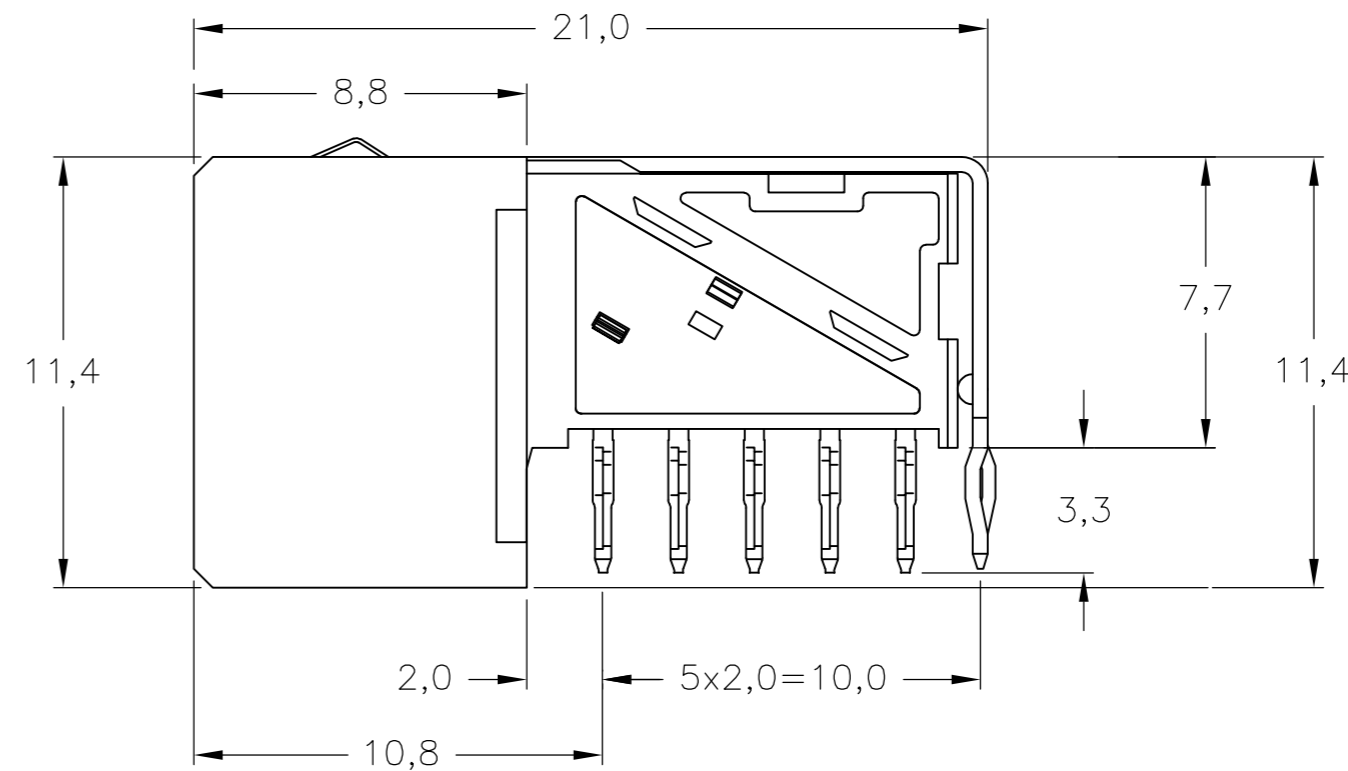
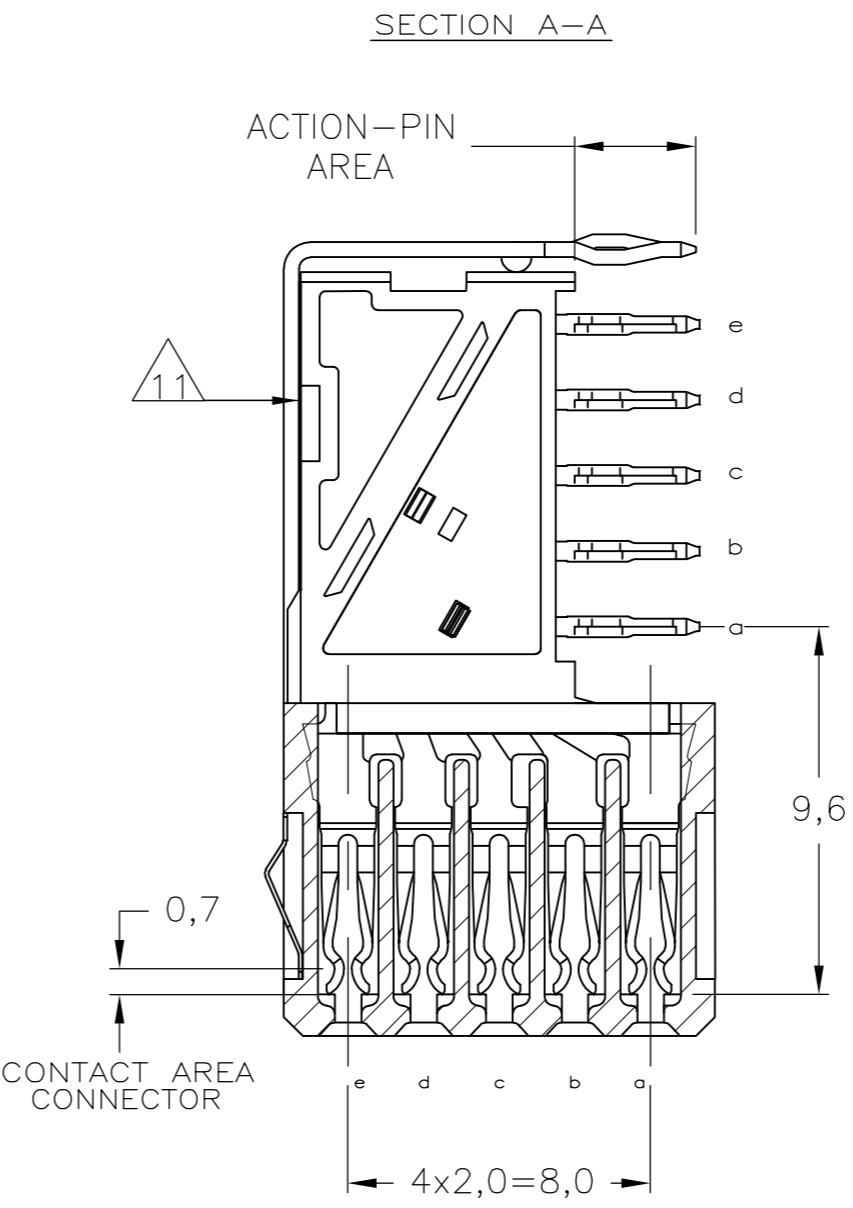
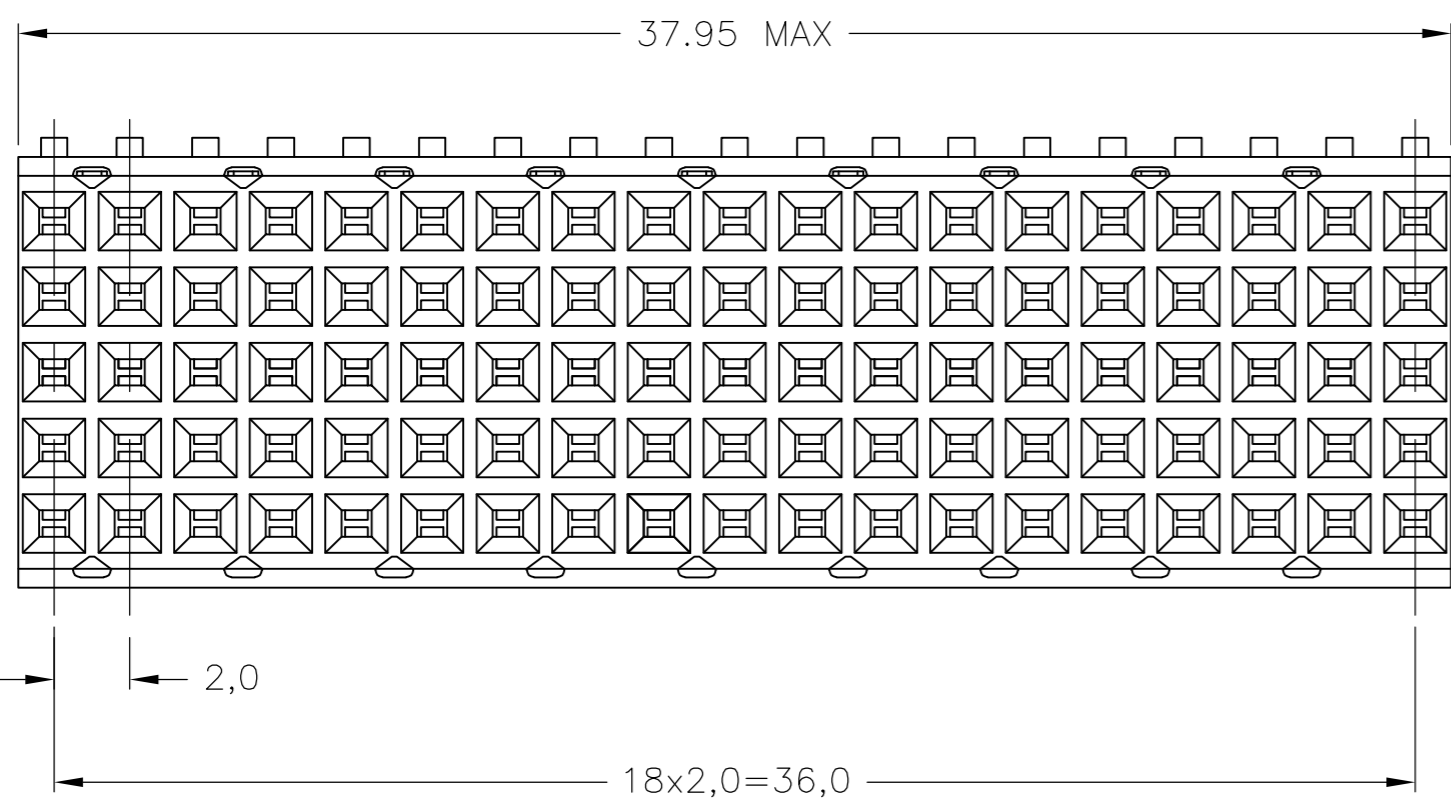
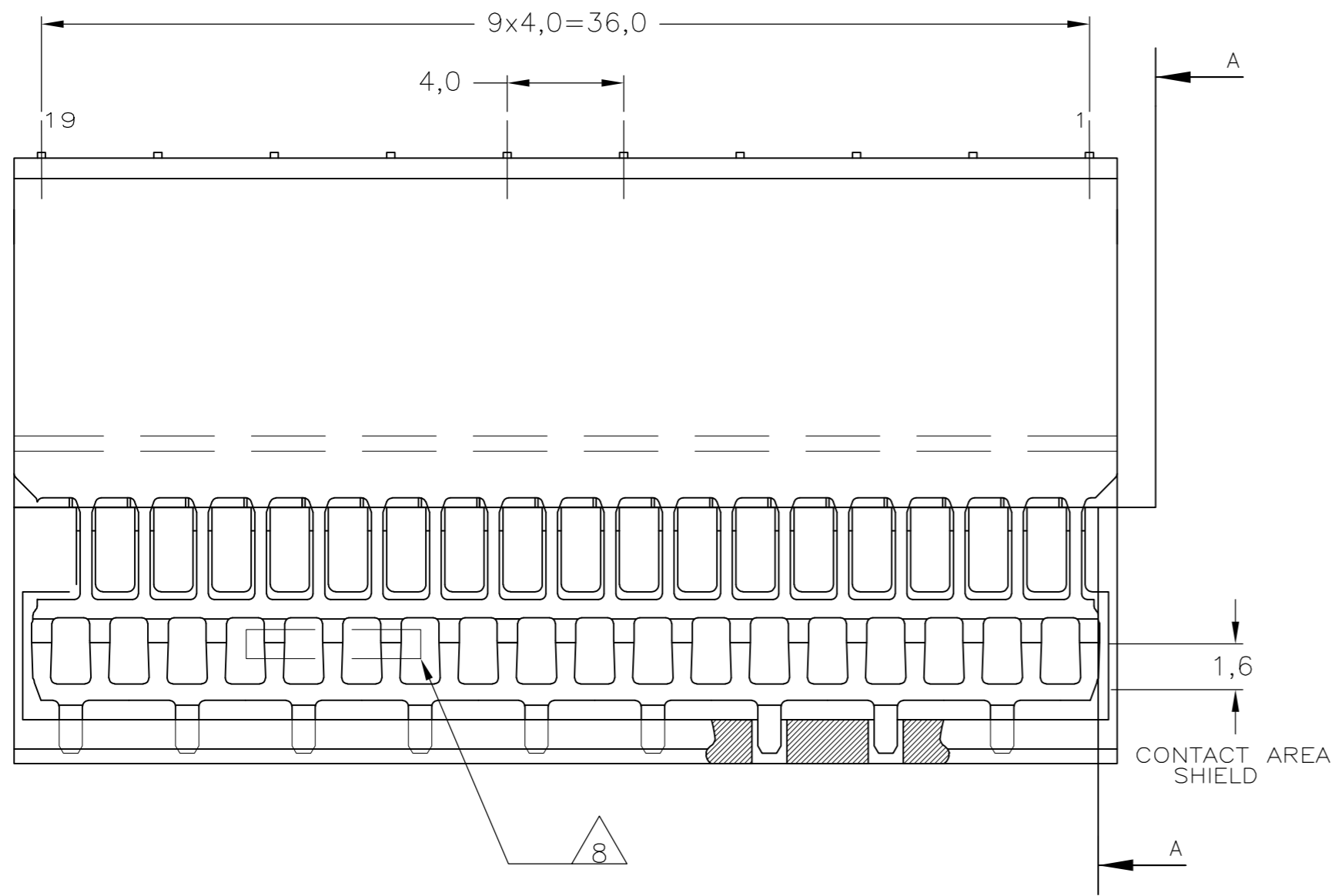


THIS DRAWING IS UNPUBLISHED. RELEASED FOR PUBLICATION
 © COPYRIGHT - By - ALL RIGHTS RESERVED.

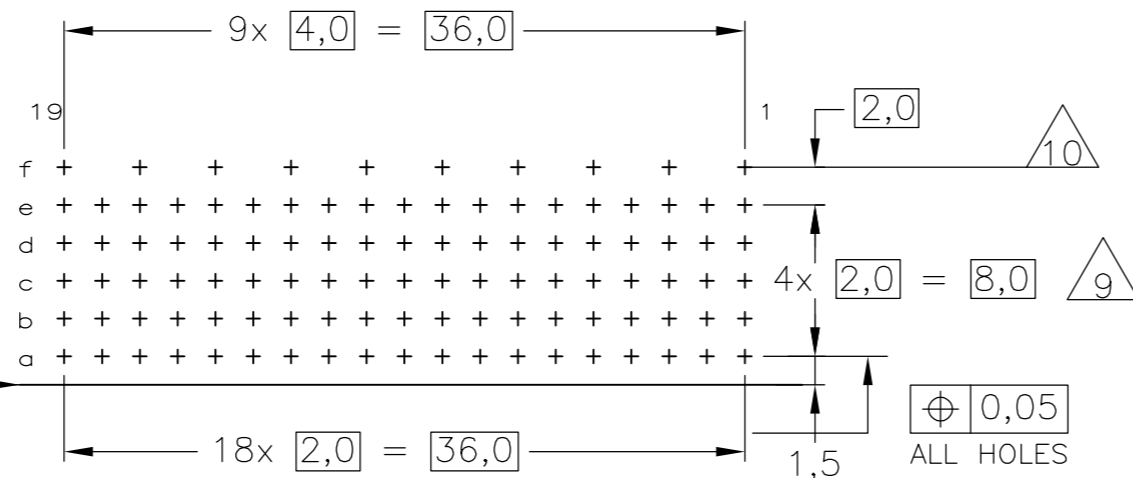
| REVISIONS | | | | | |
|-----------|-----|---------------------------|-----------|-----|------|
| P | LTR | DESCRIPTION | DATE | DWN | APVD |
| F | | REVISED PER ECR-16-013298 | 02JUN2017 | FL | SY |



NOTES:

- ⚠ MATERIAL CONTACTS; PHOSPHORBRONZE
- ⚠ MATERIAL HOUSING; GLASSFILLED POLYESTER (GRAY)
- ⚠ GENERAL PLATING SPECIFICATION: UNDERPLATING (ENTIRE CONTACT): 1,27µm NICKEL MIN. AND ACTION PIN: 0,5µm TIN MIN. FOR PLATING OF MATING SURFACES SEE APPLICABLE SPECIFICATION REFERENCE FOR EACH DASH NUMBER.
- ⚠ CONFORMS TO ALL TESTING ACCORDING IEC 61076-4-101 PERFORMANCE LEVEL 2.
- ⚠ CONFORMS TO ALL TESTING ACCORDING IEC 61076-4-101 PERFORMANCE LEVEL 1.
- ⚠ CONNECTOR TESTED AND QUALIFIED AGAINST TELCORDIA GR-1217-CORE QUALITY LEVEL III, CENTRAL OFFICE APPLICATIONS.
- ⚠ CONNECTOR LUBRICATED WITH TELCORDIA GR-1217-CORE APPROVED LUBRICANT.
- ⚠ ASSEMBLY PRINTED WITH P/N AND DATECODE
- ⚠ THE MARKING CAN APPEAR ON THE FRONT SIDE OR BACK SIDE.
- ⚠ HOLE PATTERN FOR FEMALE CONNECTOR TYPE B-19 COLUMNS
- ⚠ 95 PLATED-THROUGH HOLES AT 2x2mm SQUARE GRID
- ⚠ ROW "f" 10 PLATED THROUGH HOLES FOR UPERSHIELD
- ⚠ SHIELD MOUNTED ON CONNECTOR WITH DOUBLE SIDED ADHESIVE TAPE OR ADHESIVE
- 12 BASIC P.N. LOWERSHIELD : 5352029.
- ⚠ 0.76mm MIN GOLD PLATING AT MATING SURFACE

COMPONENT SIDE AS SHOWN
 RECOMMENDED PCB-HOLE LAY-OUT
 SCALE 2,5:1



P.C.B. HOLE DIM. ACTION PIN
 FOR DETAILS SEE
 APPLICATION SPECIFICATION

EDGE OF P.C.BOARD

| | | | |
|----------|--------|----------|-------------|
| OBSOLETE | ⚠ ⚠ ⚠ | ⚠ | 3-5352171-0 |
| | ⚠ ⚠ ⚠ | ⚠ | 5352171-9 |
| | ⚠ ⚠ | ⚠ | 5352171-4 |
| | ⚠ ⚠ | ⚠ | 5352171-1 |
| | FINISH | MATERIAL | PARTNUMBER |

| | | | | | |
|---|--|------------------|-----------|-------------------------|---------|
| THIS DRAWING IS A CONTROLLED DOCUMENT. | | DWN | 21AUG2004 | TE Connectivity | |
| DIMENSIONS: mm | | CHK | 27OCT2004 | Z-PACK 2mm HM | |
| TOLERANCES UNLESS OTHERWISE SPECIFIED: ±0.2 | | APVD | 27OCT2004 | TYPE B - 19 COLUMNS | |
| MATERIAL | | PRODUCT SPEC | 108-19082 | PRE-SHIELDED RECEPTACLE | |
| FINISH | | APPLICATION SPEC | 114-19029 | SIZE | A2 |
| MATERIAL | | WEIGHT | 0.000000 | CAGE CODE | 00779 |
| FINISH | | CUSTOMER DRAWING | SCALE | DRAWING NO | 5352171 |
| | | RESTRICTED TO | 5:1 | SHEET | 1 OF 1 |
| | | REV | F | | |