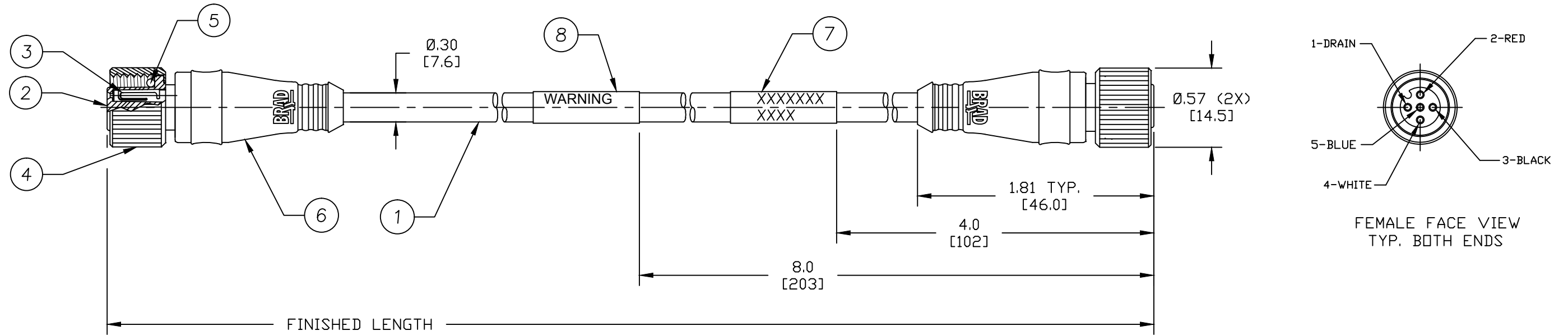


|            |                 |                             |
|------------|-----------------|-----------------------------|
| PART NO.   | ENGINEERING NO. | FINISHED LENGTH             |
| 1300280011 | 885010D12M0043A | 0.4M+44.5mm-0 [1'4"+1.75-0] |
|            |                 |                             |



- NOTES:
1. MATERIAL: AS NOTED
  2. FINISH: AS NOTED
  3. ELECTRICAL:  
VOLTAGE: 250VAC/DC  
CURRENT: 4A
  4. TEMP RATING: -20°TO +70°C
  5. PROTECTION: IP67 (WHEN MATED)
  6. COUPLING THREAD: M12 X 1
  7. ALL DIMS ARE FOR REFERENCE UNLESS NOTED OTHERWISE

WARNING LABEL DETAIL

WARNING: WARNING: WARNING:  
TO REDUCE THE RISK OF ELECTRICAL SHOCK, DO NOT  
CONNECT OR DISCONNECT WHILE POWER IS APPLIED.  
ALWAYS DISCONNECT FROM CIRCUIT BEFORE SERVICING

|      |                      |               |              |
|------|----------------------|---------------|--------------|
| 8    | WARNING LABEL        | VINYL         | BLACK/YELLOW |
| 7    | WRAP LABEL           | VINYL         | BLACK/YELLOW |
| 6    | OVERMOLD             | PVC           | GRAY         |
| 5    | O-RING               | NITRILE       | RED          |
| 4    | COUPLING NUT         | ZINC DIE-CAST | BLACK        |
| 3    | CONTACT SOCKET       | COPPER ALLOY  | GOLD PLATED  |
| 2    | FEMALE INSERT, 4P    | NYLON         | BLACK        |
| 1    | CABLE, DEV-NET, THIN | TPE JACKET    | GRAY         |
| ITEM | DESCRIPTION          | MATERIAL      | FINISH       |

|  |                    |                               |                                       |      |   |   |   |                   |                        |  |
|--|--------------------|-------------------------------|---------------------------------------|------|---|---|---|-------------------|------------------------|--|
| RELEASED<br>EC NO: IPG2019-0079<br>DRWN: RSTONE 2018/08/20<br>CHKD: C CHRAST 2018/08/23<br>APPR: BWOODMAN 2018/08/27 | DESCRIPTION<br>REV | QUALITY SYMBOLS<br>▽=0<br>∇=0 | GENERAL TOLERANCES (UNLESS SPECIFIED) |      | DIMENSION STYLE INCH/MM                 |   | SCALE ---   | DESIGN UNITS INCH | THIRD ANGLE PROJECTION |  |
|  |                    |                               | mm                                    | INCH | DRAWN BY DATE<br>RSTONE 2018/08/20      | TITLE<br>MIC M12 DEVICE NET FEMALE/FEMALE |   |                   |                        |  |
| 4 PLACES ±---  |                    |                               | 3 PLACES ±---                         |      | 2 PLACES ±---                           |   | CHECKED BY DATE<br>C CHRAST 2018/08/23  |                   | MOLEX INCORPORATED     |  |
| 1 PLACE ±---   |                    |                               | ANGULAR ±---°                         |      | APPROVED BY DATE<br>BWOODMAN 2018/08/27 |   | DOCUMENT NO. SD-130028-013  |                   |                        |  |
| DRAFT WHERE APPLICABLE MUST REMAIN WITHIN DIMENSIONS   |                    |                               | SEE P/N CHART                         |      | MATERIAL NO.                            |   | THIS DRAWING CONTAINS INFORMATION THAT IS PROPRIETARY TO MOLEX INCORPORATED AND SHOULD NOT BE USED WITHOUT WRITTEN PERMISSION |                   |                        |  |