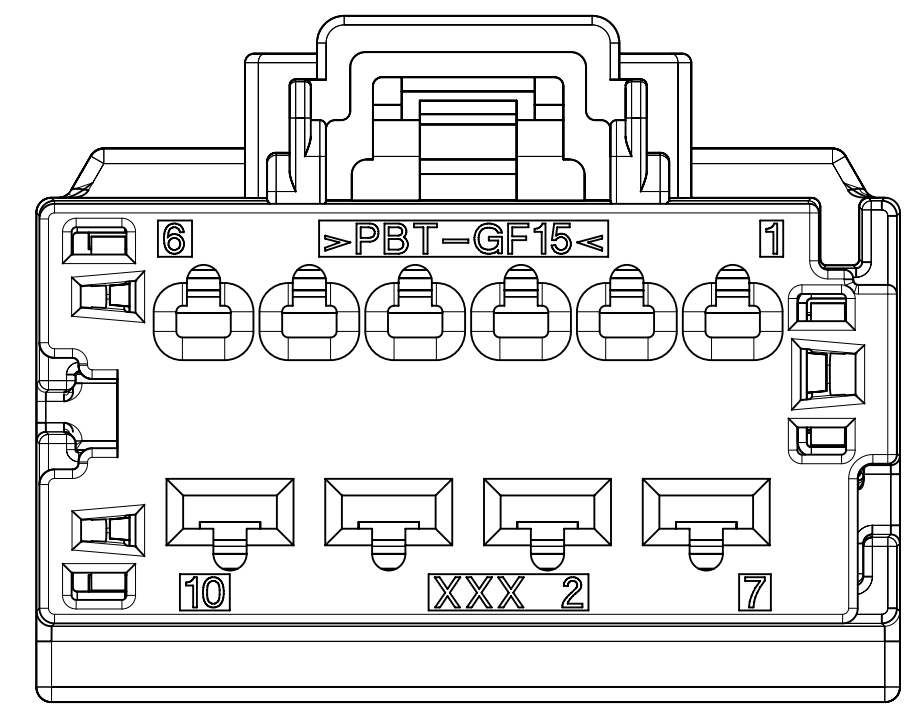
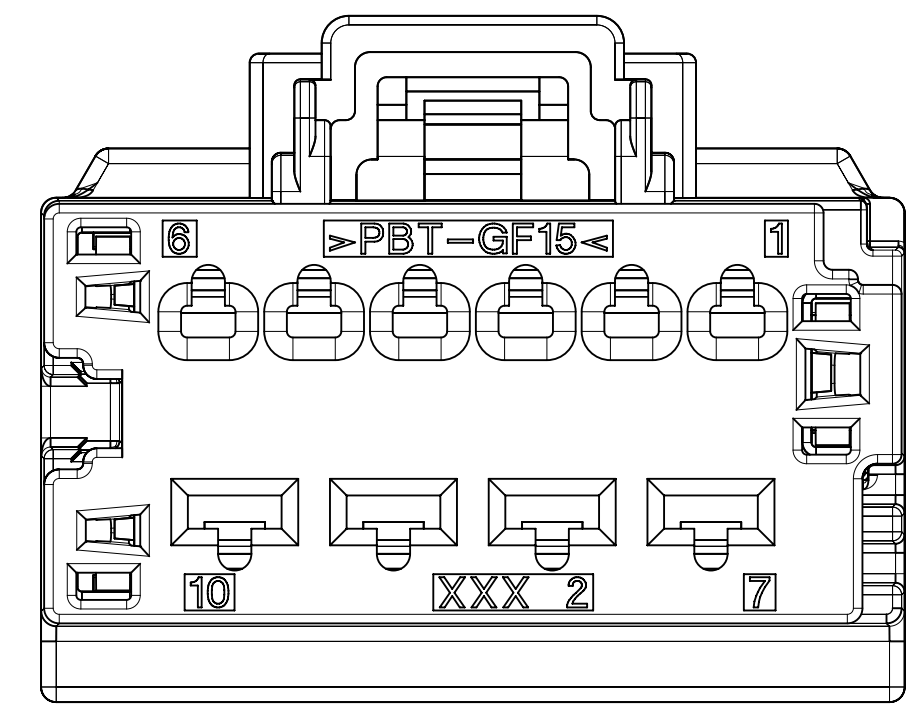


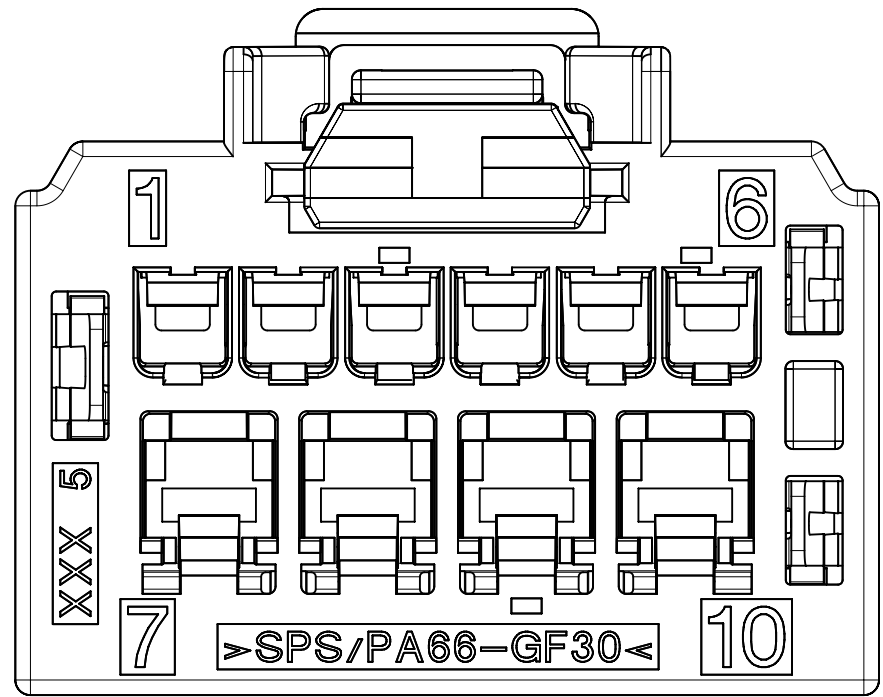
POLARIZATION OPTION A
P/N: 313721000



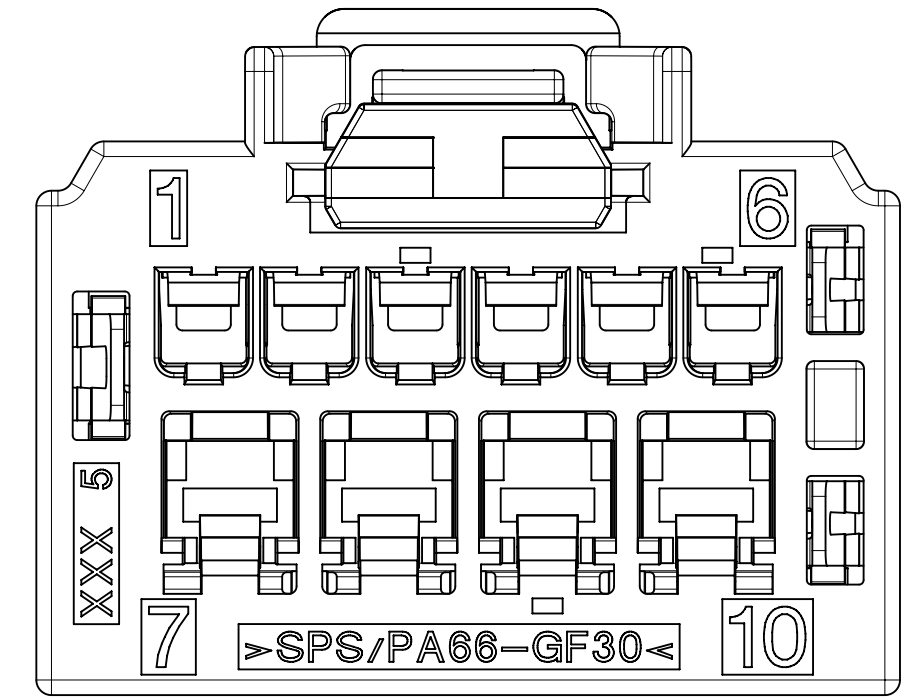
POLARIZATION OPTION B
P/N: 313721100



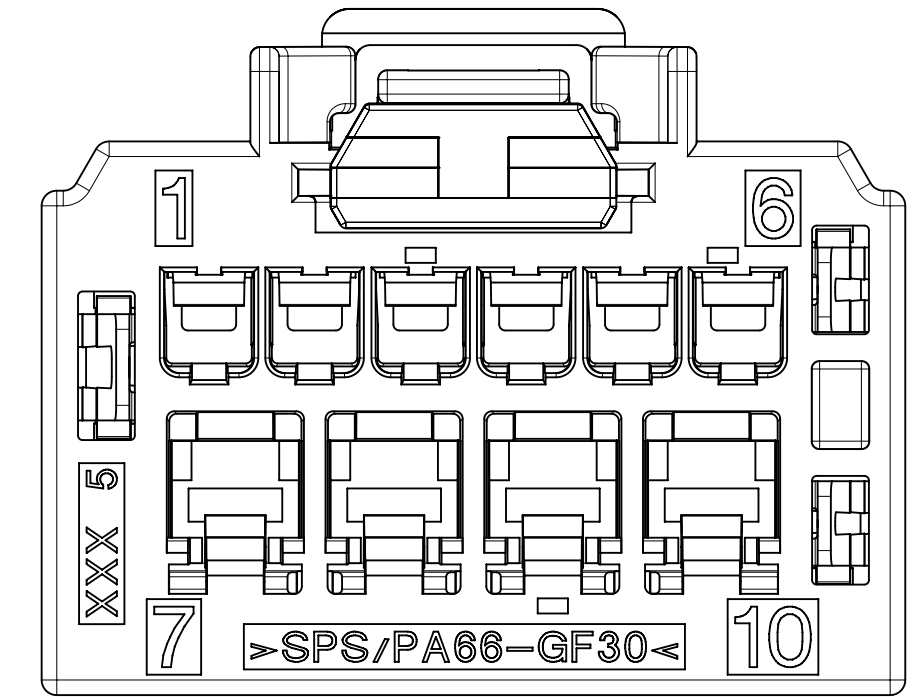
POLARIZATION OPTION C
P/N: 313721200



POLARIZATION OPTION A W/ CPA
P/N: 313721600



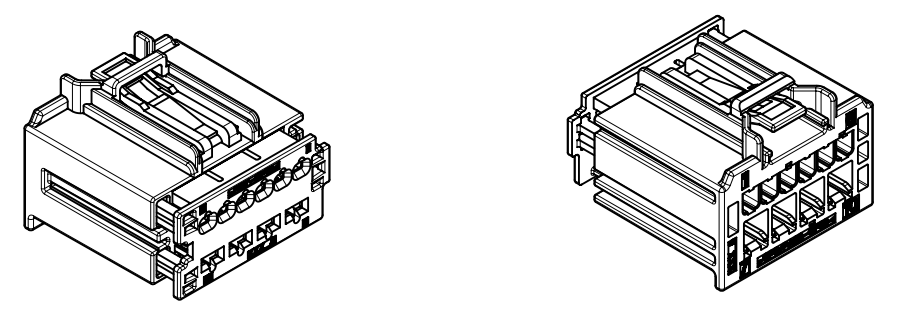
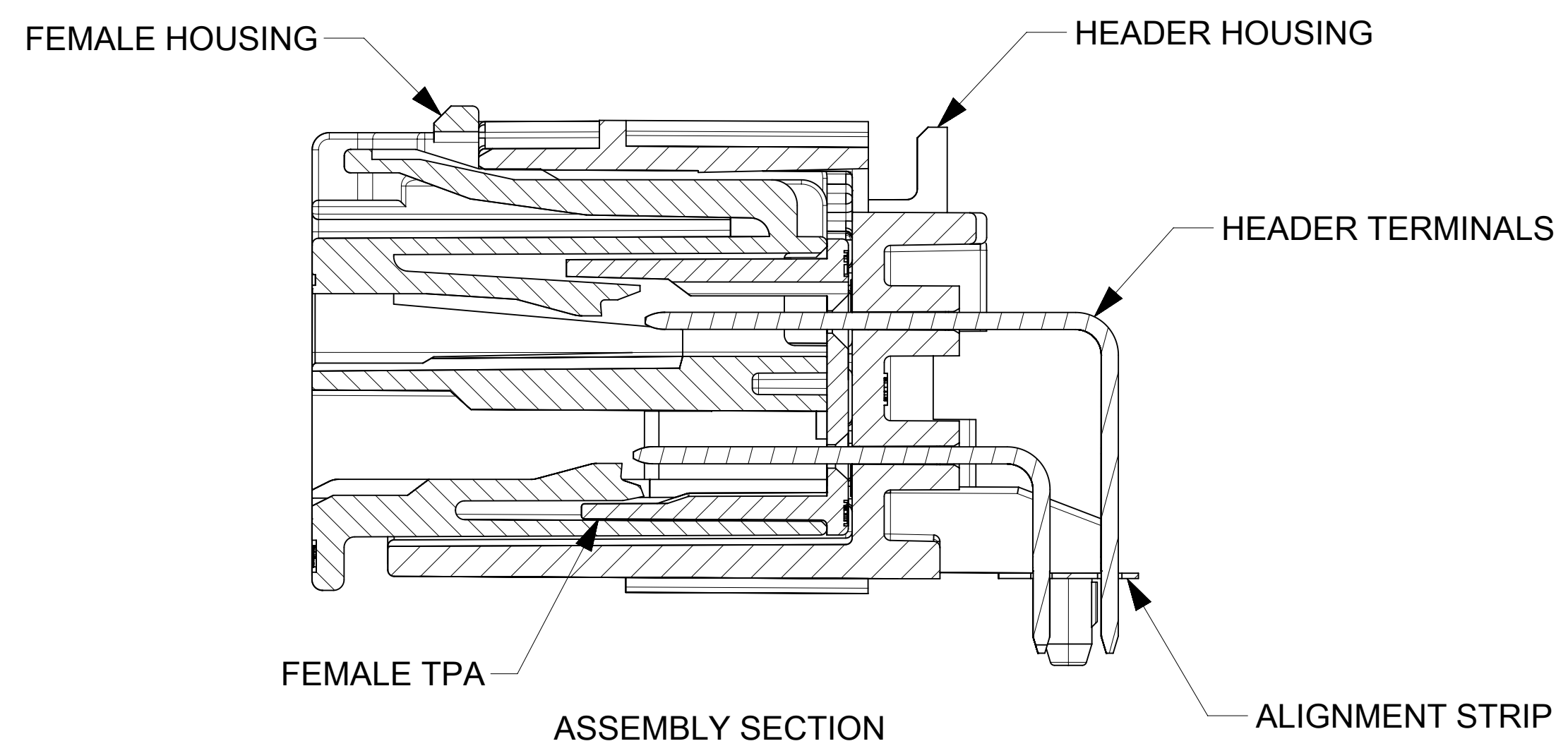
POLARIZATION OPTION B W/ CPA
P/N: 313721700



POLARIZATION OPTION C W/ CPA
P/N: 313721800

NOTES: VALID UNLESS OTHERWISE SPECIFIED

1. GENERAL:
 - a. APPLICATION SPECIFICATION SEE: AS-31372-100
 - b. PRODUCT SPECIFICATION SEE: PS-31372-100
 - c. PACKAGING SPECIFICATION PER MOLEX DRAWING: PK-31300-931
 - d. PARTS MUST BE IN COMPLIANCE TO MOLEX CHEMICAL SUBSTANCES FOR PRODUCTS AND PACKAGING SPECIFICATION: PS-40000-5015
 - e. DATA MUST BE SUBMITTED UNDER THE MOLEX PART NUMBER TO IMDS (COMPANY ID#13255)
2. DESIGN - MATERIALS:
 - a. SEE BOM TABLE
3. DESIGN - GEOMETRY:
 - a. THIS IS A 100% CAD GENERATED PART. THE CAD MATHEMATICAL DATA IS THE MASTER FOR THIS PART. FOR DIMENSIONAL OR ANY INFORMATION NOT SHOWN ON THIS DRAWING, ANALYZE THE CAD MODEL.
 - b. GEOMETRIC DIMENSIONS AND TOLERANCES PER ASME Y14.5M - 1994
 - c. EDGES AND UNDIMENSIONED DETAILS PER ISO13715
 - d. CORNERS SHOWN AS SHARP TO BE R 0.2 MAX.
 - e. LETTERING SHALL BE 0.15 MAX RAISED IN 0.25 MAX RECESS PAD. THIS INCLUDES RECYCLING CODE, CAVITY ID, VENDOR IDENTIFICATION, AND CUSTOMER MATERIAL NUMBER.
 - f. VISUAL DEFECTS SHALL MEET COSMETIC STANDARD PS-45499-002 (Class B)
4. DESIGN - MANUFACTURING:
 - a. TPAs MAY BECOME SEATED DURING TRANSIT. IF THIS OCCURS, REFERENCE MOLEX PRODUCT SPECIFICATION PS-34646-001




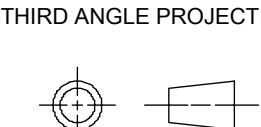
ISOMETRIC VIEWS
SCALE 1:1
(POLARITY A SHOWN)

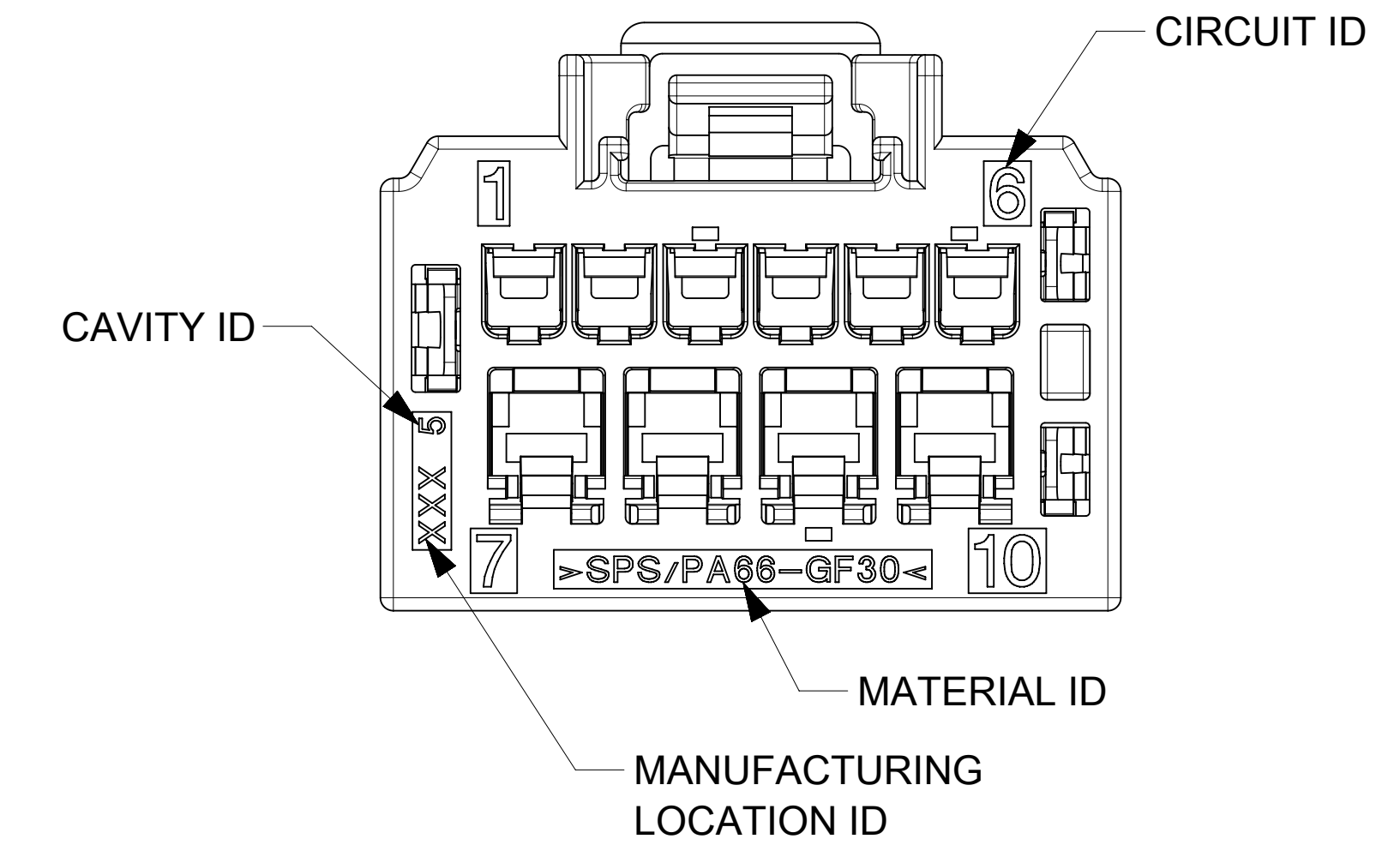
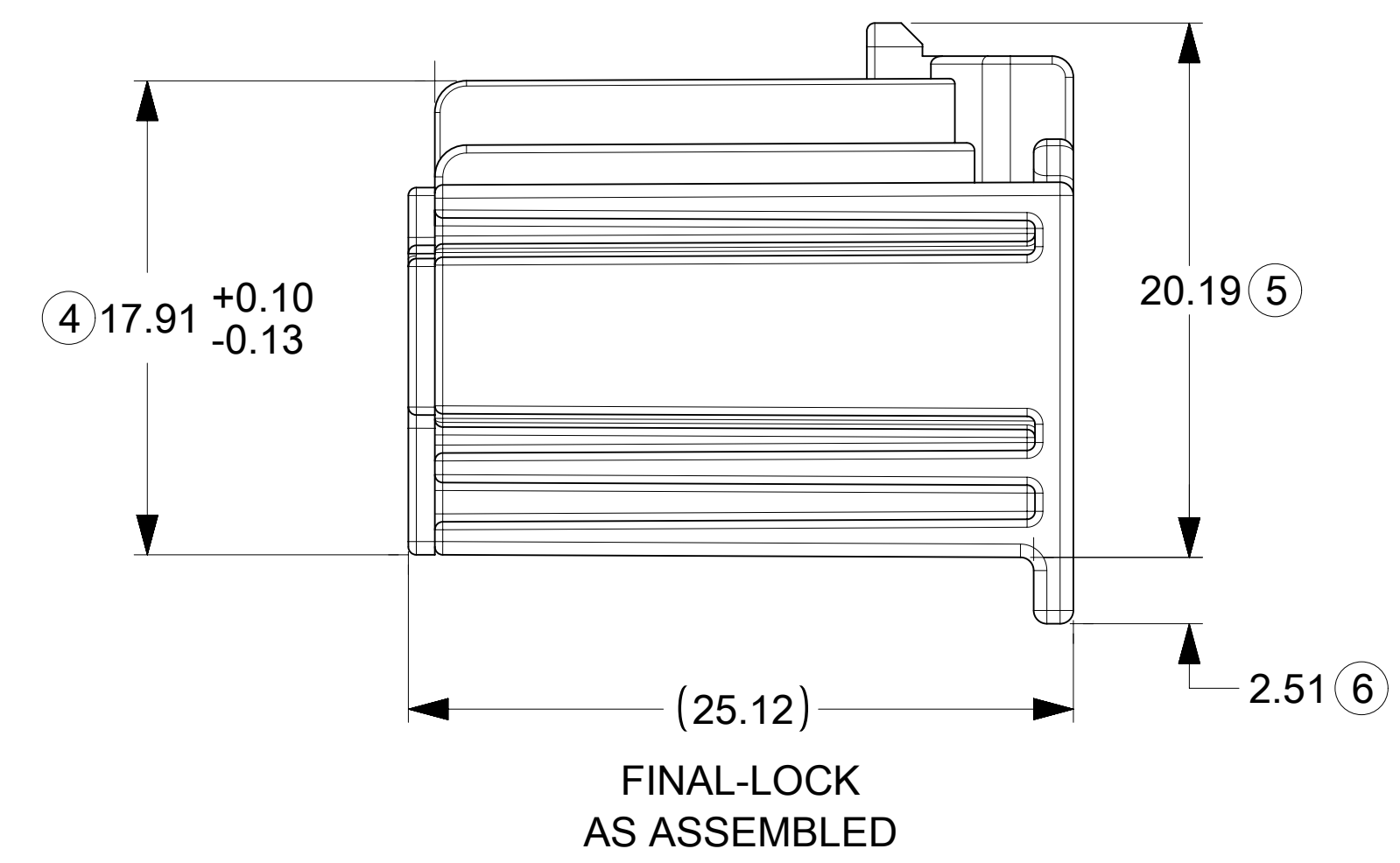
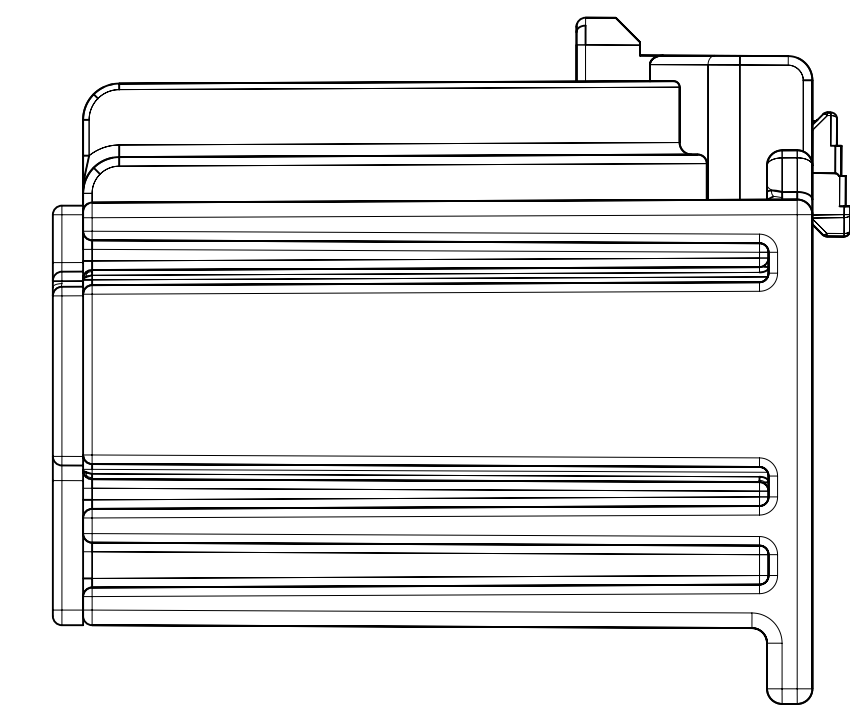
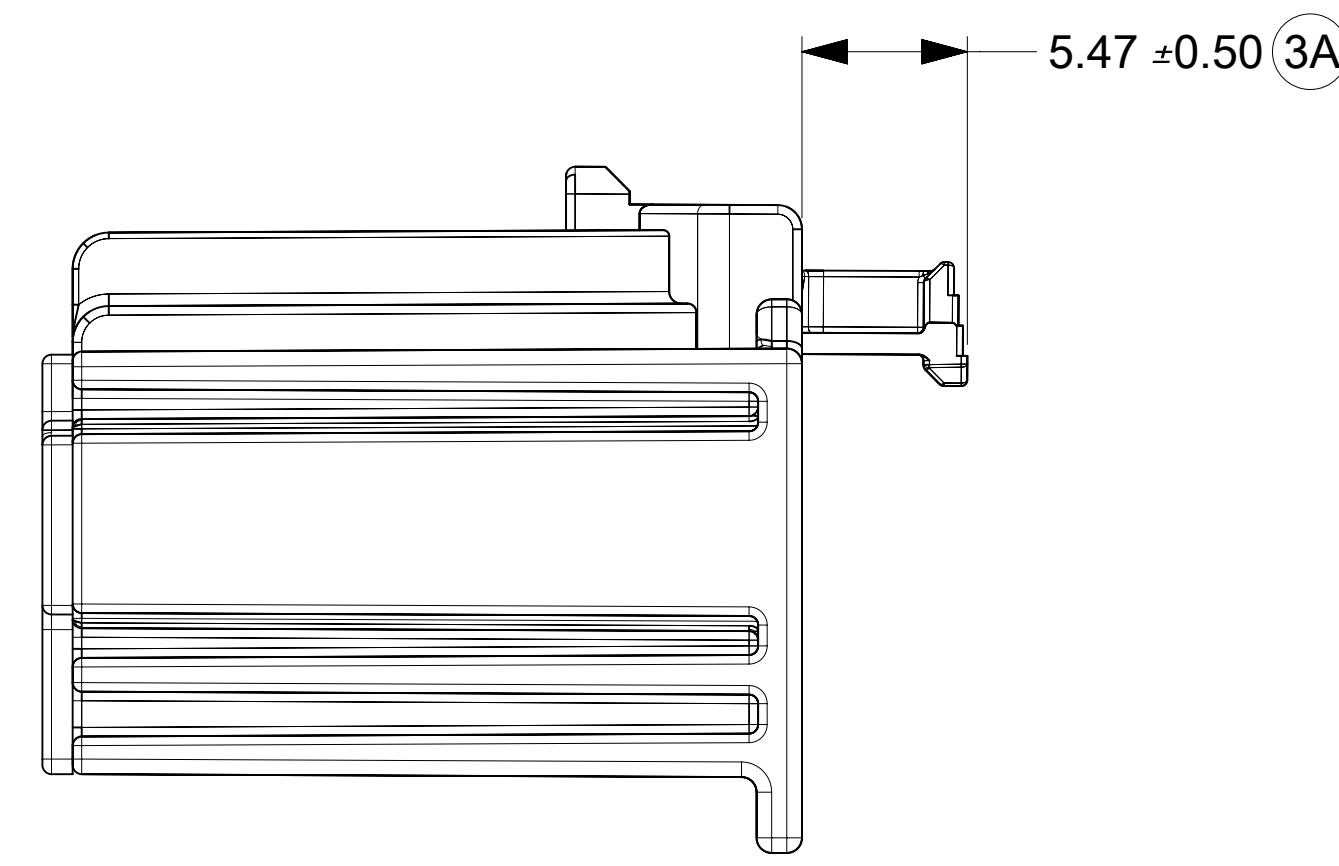
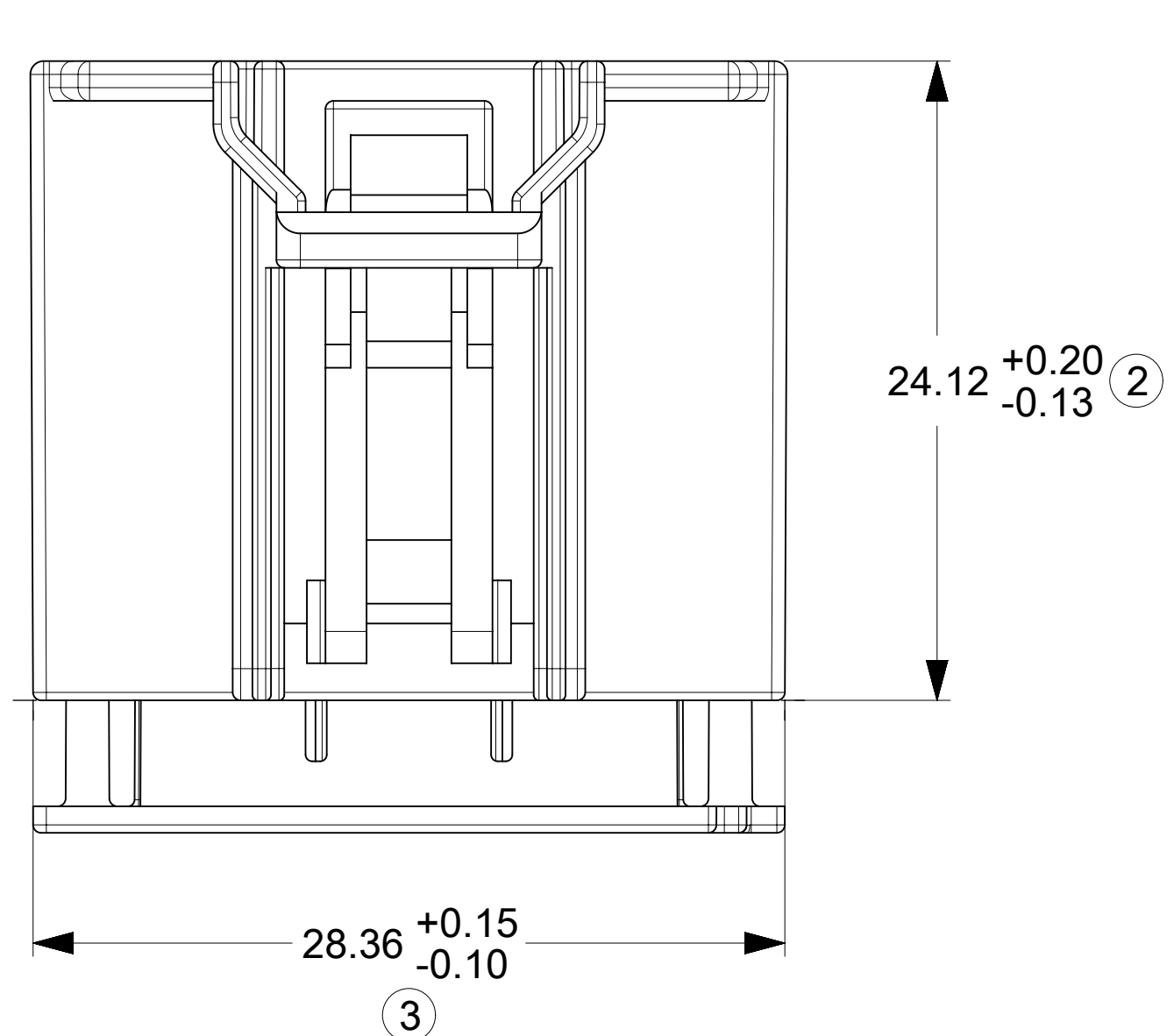
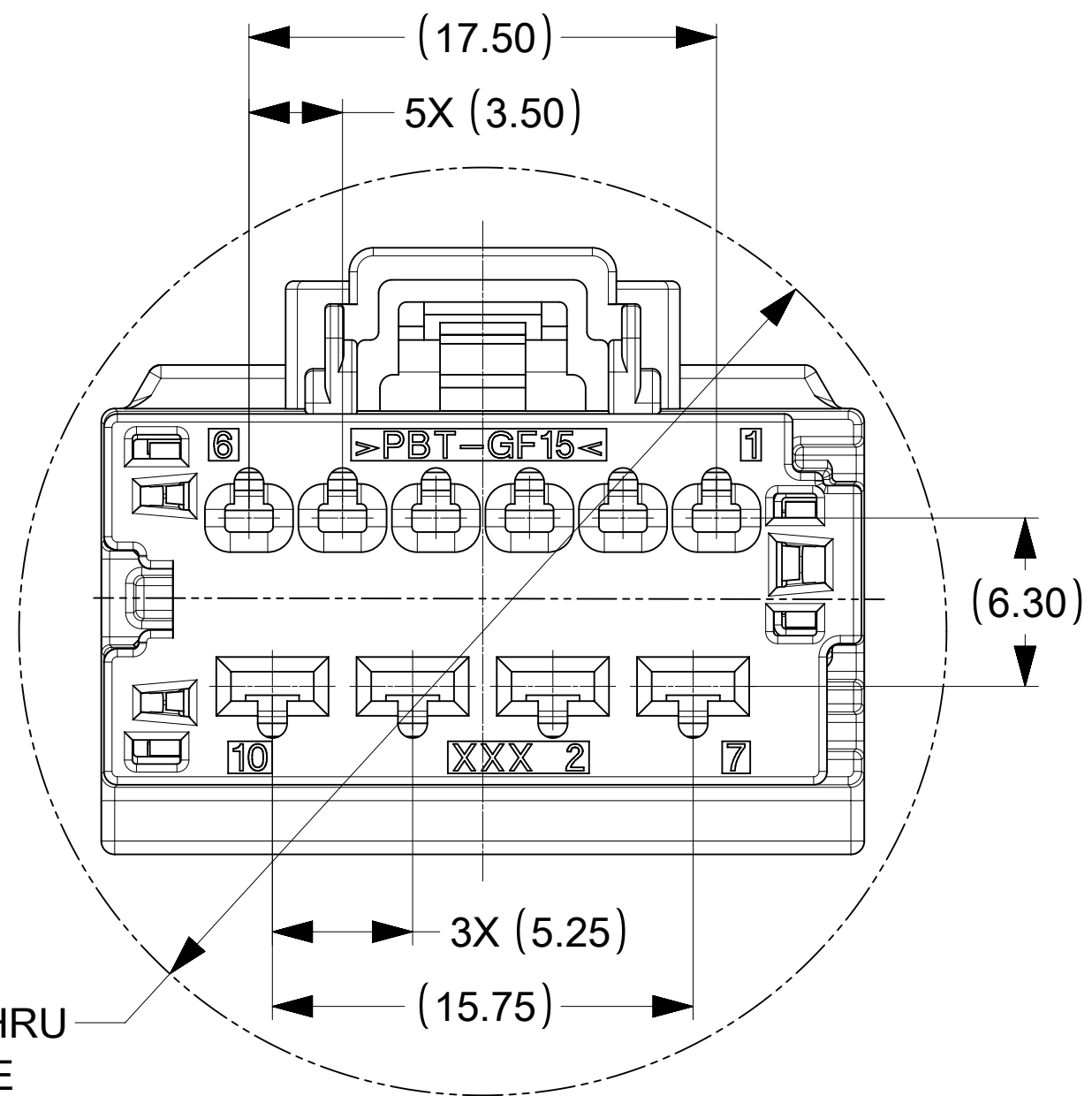
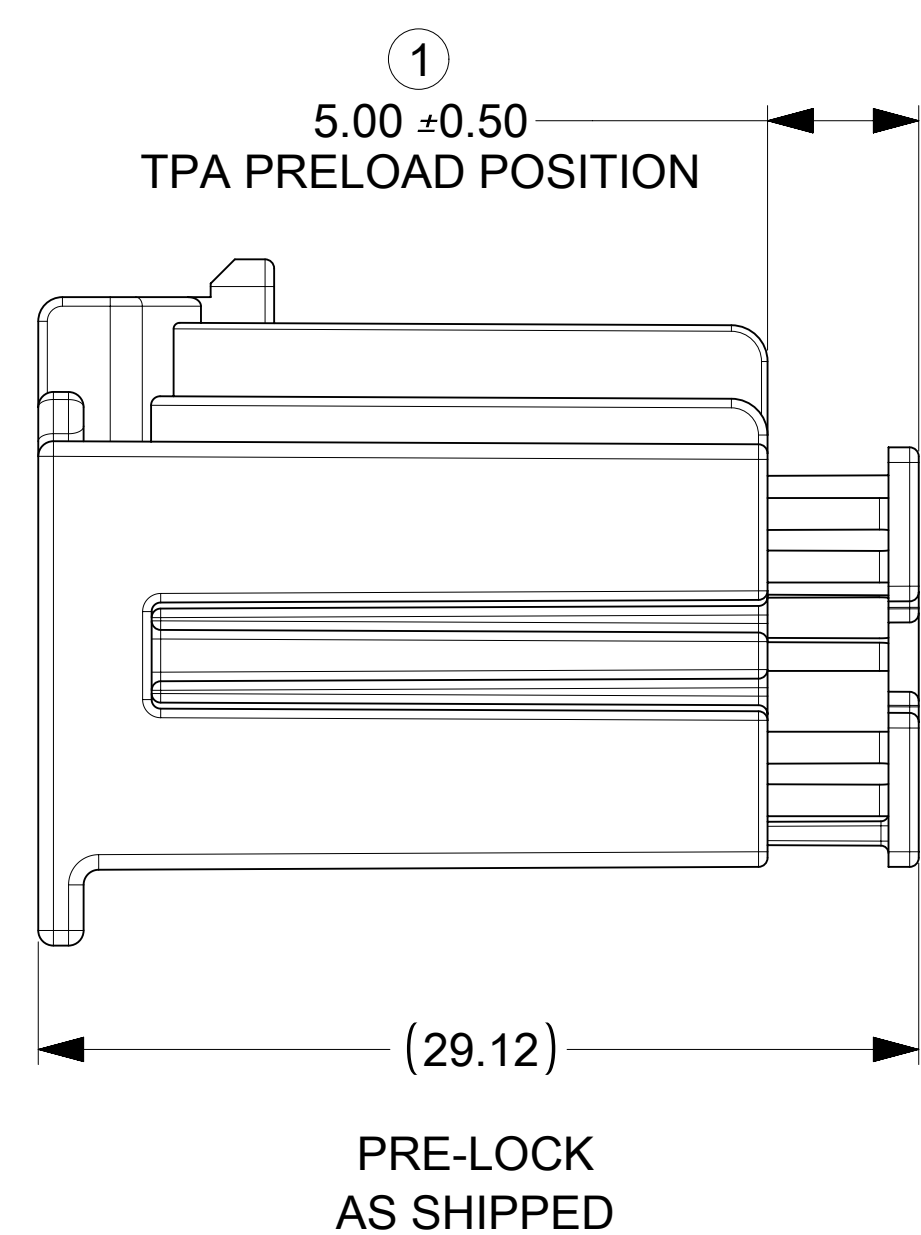
QUALITY SYMBOLS	THIS DRAWING CONTAINS INFORMATION THAT IS PROPRIETARY TO MOLEX ELECTRONIC TECHNOLOGIES, LLC AND SHOULD NOT BE USED WITHOUT WRITTEN PERMISSION		1 NX REMASTERING	
			Rev. DESCRIPTION	
▽ = 0	2018/10/17 2018/10/17 2018/10/17	GENERAL TOLERANCES (UNLESS SPECIFIED)	DIMENSION UNITS	SCALE
▽ = 0		ANGULAR TOL ± 1.0 °	mm	4:1
▽ = 0	606129 DRWN: SHANDITHAVAL CHKD: RBAUMAN REV APPR: RBAUMAN	4 PLACES ±	DRWN BY	DATE
▽ = 0		3 PLACES ±	RYELAVATTITH	2016/09/22
▽ = 0		2 PLACES ± 0.13	CHKD BY	DATE
▽ = 0		1 PLACE ± 0.25	APPR BY	DATE
▽ = 0		0 PLACES ±	JFISCHER01	2017/05/11
▽ = 0		DRAFT WHERE APPLICABLE MUST REMAIN WITHIN DIMENSIONS	DRAWING SIZE	THIRD ANGLE PROJECTION
▽ = 0			D	
		SERIES	MATERIAL NUMBER	CUSTOMER
		31372	SEE CHART	
		DOCUMENT NUMBER	DOC TYPE	DOC PART SHEET NUMBER
		313729000	PSD	000 1 OF 3

MOLEX ASSEMBLY PART NO.'S	MATING COMPONENT		TOOLED
	VERTICAL HEADER	RIGHT ANGLE HEADER	
313721000	346950100	346960100	YES
313721100	346950101	346960101	YES
313721200	346950102	346960102	YES
313721600	346950100	346960100	YES
313721700	346950101	346960101	YES
313721800	346950102	346960102	YES

ITEM	DESCRIPTION	COLOR	MOLEX COMPONENTS PART NO.	MATERIAL /SPEC.NO	RECYCLING CODE	WEIGHT	NO OF ITEMS REQUIRED				
1	FEMALE HOUSING POL A	BLACK	313722000	89992-1440	SPS/PA66-GF30	6.74g	1				
2	FEMALE HOUSING POL B	GRAY	313722100	89992-1451	SPS/PA66-GF30	6.73g		1			
3	FEMALE HOUSING POL C	BROWN	313722200	89992-1462	SPS/PA66-GF30	6.79g			1		
4	FEMALE CPA HOUSING POL A	BLACK	313722300	89992-1440	SPS/PA66-GF30	6.73g				1	
5	FEMALE CPA HOUSING POL B	GRAY	313722400	89992-1451	SPS/PA66-GF30	6.72g					1
6	FEMALE CPA HOUSING POL C	BROWN	313722500	89992-1462	SPS/PA66-GF30	6.78g					1
7	TPA	NATURAL	313723000	89992-0925	PBT-GF15	1.39g	1	1	1	1	1
8	NEW CPA	NATURAL	313724100	89992-1912	PA66-GF50	0.27g				1	1

ITEM	APPLICABLE COMPONENTS			APPLICABLE WIRE SIZE	
	DESCRIPTION	TYPE	SUPPLIER COMPONENTS PART NO.	WIRE GAGE	MAXIMUM INSULATION DIAMETER
1	MOLEX MX150 TERMINAL	Sn	330122001	14/16 AWG	2.70mm
2		Sn	330122002	18/20 AWG	2.54mm
3		Sn	330122003	22 AWG	1.70mm
4		Sn	330122004	0.35mm ² /0.50mm ²	1.70mm
5		Sn	330123001	14/16 AWG	2.70mm
6		Sn	330123002	18/20 AWG	2.54mm
7		Sn	330123003	22 AWG	1.70mm
8		Sn	330123004	0.35mm ² /0.50mm ²	1.70mm
9	YAZAKI 1.5 TERMINAL	Sn	7116-6317-02	14 AWG	2.70mm
10		Sn	7116-6316-02	16/18 AWG	2.40mm
11		Sn	7116-6315-02	20/22 AWG	1.90mm
12	TYCO 2.8 TERMINAL	Sn	1326030-4	10/12 AWG	4.04mm
13		Sn	1326030-3	14/16 AWG	2.69mm
14		Sn	1326030-2	18/20 AWG	2.06mm
15		Sn	1326030-1	22 AWG	1.65mm
16	YAZAKI 2.8 TERMINAL	Sn	7116-4113-02	12 AWG	4.04mm
17		Sn	7116-4112-02	14 AWG	2.69mm
18		Sn	7116-4111-02	16/18 AWG	2.34mm
19		Sn	7116-4110-02	20/22 AWG	1.85mm

QUALITY SYMBOLS F = 0 E = 0 B = 0 A = 0 C = 0 D = 0 G = 0 H = 0 I = 0 J = 0 K = 0 L = 0 M = 0 N = 0 O = 0 P = 0 Q = 0 R = 0 S = 0 T = 0 U = 0 V = 0 W = 0 X = 0 Y = 0 Z = 0	THIS DRAWING CONTAINS INFORMATION THAT IS PROPRIETARY TO MOLEX ELECTRONIC TECHNOLOGIES, LLC AND SHOULD NOT BE USED WITHOUT WRITTEN PERMISSION									
	2018/10/17	2018/10/17	2018/10/17	GENERAL TOLERANCES (UNLESS SPECIFIED)		DIMENSION UNITS	SCALE			
	DRWN: SHANDITHAVAL	CHKD: RBAUMAN	REV: RBAUMAN	ANGULAR TOL ± 1.0 °		mm	1:1			
	4 PLACES ±			DRWN BY		DATE		10 CIRCUIT HYBRID RECEPTACLE ASSEMBLY		
	3 PLACES ±			RYELAVATTITH		2016/09/22				
	2 PLACES ± 0.13			CHKD BY		DATE		PRODUCT CUSTOMER DRAWING		
	1 PLACE ± 0.25			APPR BY		DATE				
	0 PLACES ±			JFISCHER01		2017/05/11		SERIES	MATERIAL NUMBER	CUSTOMER
	DRAFT WHERE APPLICABLE MUST REMAIN WITHIN DIMENSIONS			DRAWING SIZE		THIRD ANGLE PROJECTION		31372	SEE CHART	
				D				DOCUMENT NUMBER	DOC TYPE	DOC PART
			B1				313729000	PSD	000	2 OF 3



QUALITY SYMBOLS F = 0 E = 0 D = 0 C = 0 B = 0 A = 0 Z = 0 Y = 0 X = 0 W = 0 V = 0	THIS DRAWING CONTAINS INFORMATION THAT IS PROPRIETARY TO MOLEX ELECTRONIC TECHNOLOGIES, LLC AND SHOULD NOT BE USED WITHOUT WRITTEN PERMISSION											
	2018/10/17	GENERAL TOLERANCES (UNLESS SPECIFIED)		DIMENSION UNITS	SCALE							
	2018/10/17	ANGULAR TOL ± 1.0 °		mm	4:1							
	2018/10/17	4 PLACES ±		DRWN BY	DATE	10 CIRCUIT HYBRID RECEPTACLE ASSEMBLY						
	2018/10/17	3 PLACES ±		RYELAVATTITH	2016/09/22							
	2018/10/17	2 PLACES ± 0.13		CHKD BY	DATE	PRODUCT CUSTOMER DRAWING						
	2018/10/17	1 PLACE ± 0.25		JFISCHER01	2017/05/11							
	2018/10/17	0 PLACES ±		APPR BY	DATE	SERIES	MATERIAL NUMBER	CUSTOMER				
	2018/10/17	DRAFT WHERE APPLICABLE MUST REMAIN WITHIN DIMENSIONS		DRAWING SIZE	THIRD ANGLE PROJECTION	31372	SEE CHART					
	2018/10/17			D		DOCUMENT NUMBER	313729000	DOC TYPE	PSD	DOC PART	000	SHEET NUMBER