

4

3

2

1

THIS DRAWING IS UNPUBLISHED.

RELEASED FOR PUBLICATION

20

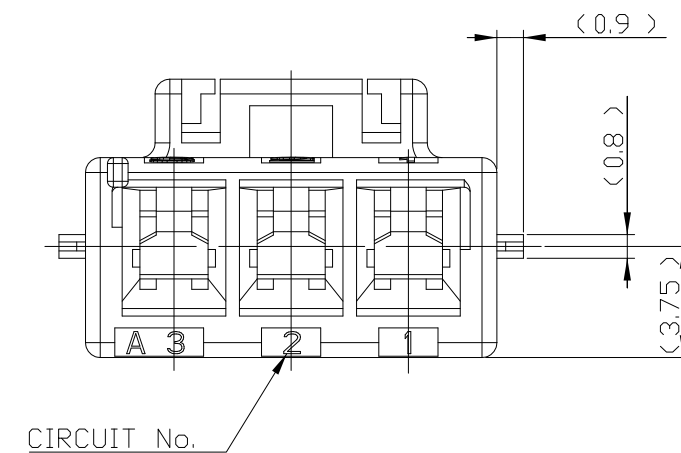
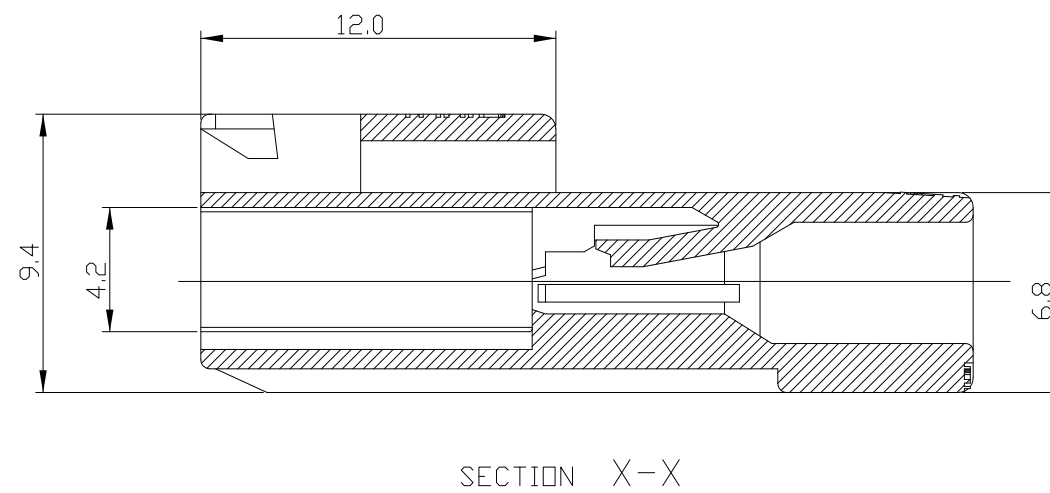
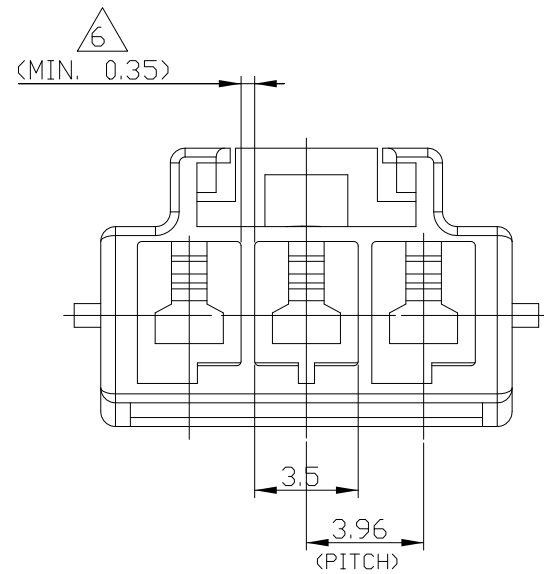
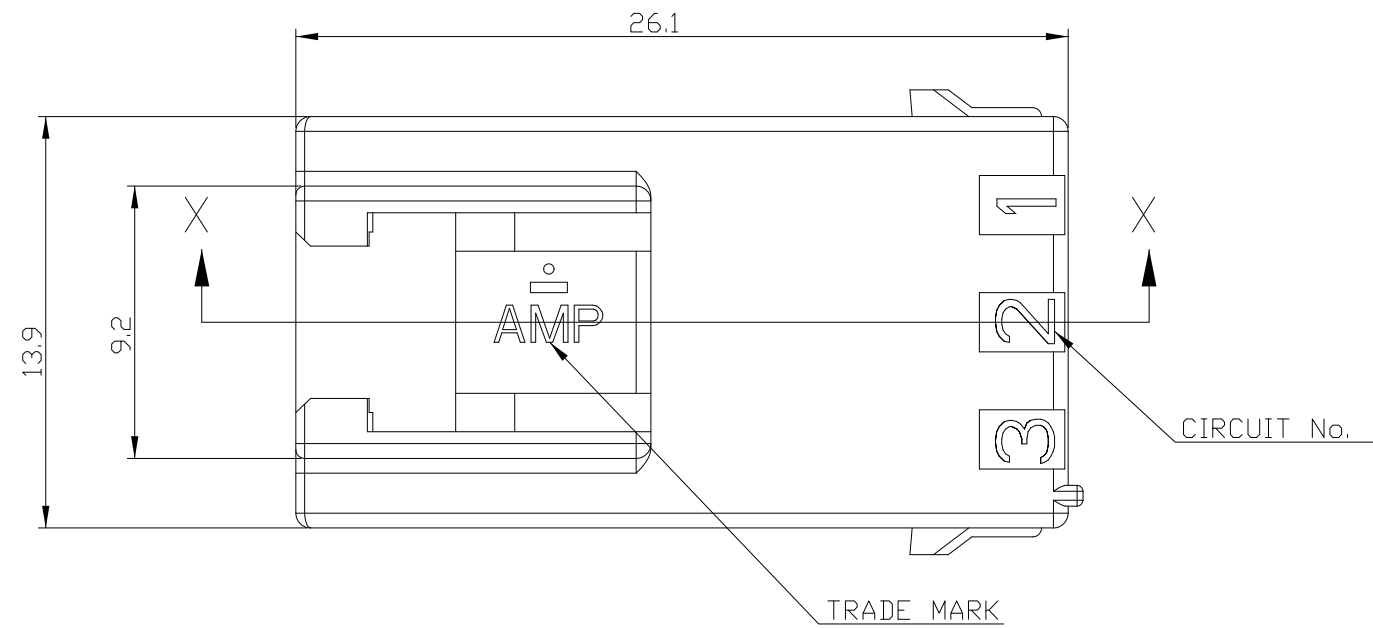
LOC DS

DIST -

REVISIONS

© COPYRIGHT 20 BY TYCO ELECTRONICS CORPORATION. ALL RIGHTS RESERVED.

P	LTR	DESCRIPTION	DATE	DWN	APVD
	A	RELEASED	29.MAY'09	SC	JK



- NOTE;
- 1.APPLICABLE CONTACT P/N  
-TAB CONTACT: 177917- □(AWG#16-#20)  
177916- □(AWG#22-#26)
  - 2.MATING CONN.P/N  
-PLUG HSG:368571- □  
-REC CONTACT:177915- □(AWG#16-#20)  
:177914- □(AWG#22-#26)
  - 3.APPLICABLE DOUBLE LOCK PLATE:177919-1  
\*IT SHOULD BE USED CERTAINLY WHEN CABLE ASS'Y
  - 4.GENERAL TOLERANCES:±0.3
  - 5.ACCORDING TO IEC 60335-1 4.2 EDITION  
-PART MEETS GWT 750°C,850°C.  
-MATERIAL MEETS BALL PRESSURE TESTING AT 125°C.  
-MATERIAL HAS CTI VALUE OF 250V.
  - 6.MIN.THICKNESS OF INSULATING WALL

368572-9	BLACK
368572-6	BLUE
368572-4	YELLOW
368572-2	RED
368572-1	NATURAL
P/N	COLOR

DIMENSIONS:		TOLERANCES UNLESS OTHERWISE SPECIFIED:		DWN		NAME			
mm		0 PLC	±-	SC KIM	AMP KOREA Kyungsan, Korea				
		1 PLC	±0.1	CHK BW KANG	Tyco Electronics				
		2 PLC	±0.05	APVD JK SONG	PDL 3P CAP HSG 3.96mm F/H (GWT)				
		3 PLC	±0.025	PRODUCT SPEC	108-61106				
		4 PLC	±0.0001	APPLICATION SPEC	-				
		ANGLES	±-	WEIGHT	SIZE	CAGE CODE	DRAWING NO	RESTRICTED TO	
MATERIAL	FINISH				A3	00779	368572		
PA66(UL94V-0)	-				CUSTOMER DRAWING		SCALE 4:1	SHEET 1 OF 1	REV A