

4

3

2

1

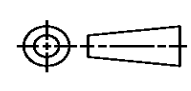
THIS DRAWING IS UNPUBLISHED. RELEASED FOR PUBLICATION  
© COPYRIGHT ALL RIGHTS RESERVED.

LOC	DIST	REVISIONS			
P	LTR	DESCRIPTION	DATE	DWN	APVD
	A1	ECR-15-012201	08SEP2015	GK	SD

# REPLACED BY OCEAN STYLE APPLICATOR PART NUMBER 2266823-1

FOR REPLACEMENT PARTS FOR APPLICATOR 1528919  
REFER TO ADDITIONAL PAGE(S). SPARE PARTS KIT (IF LISTED)  
WILL REMAIN AVAILABLE.

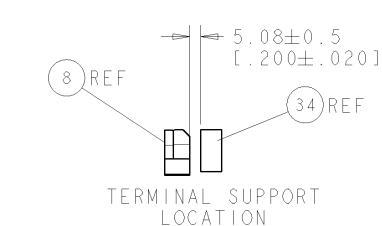
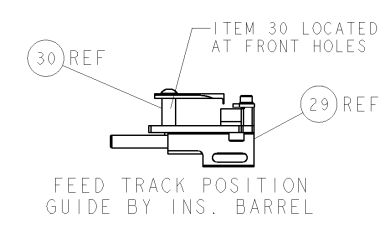
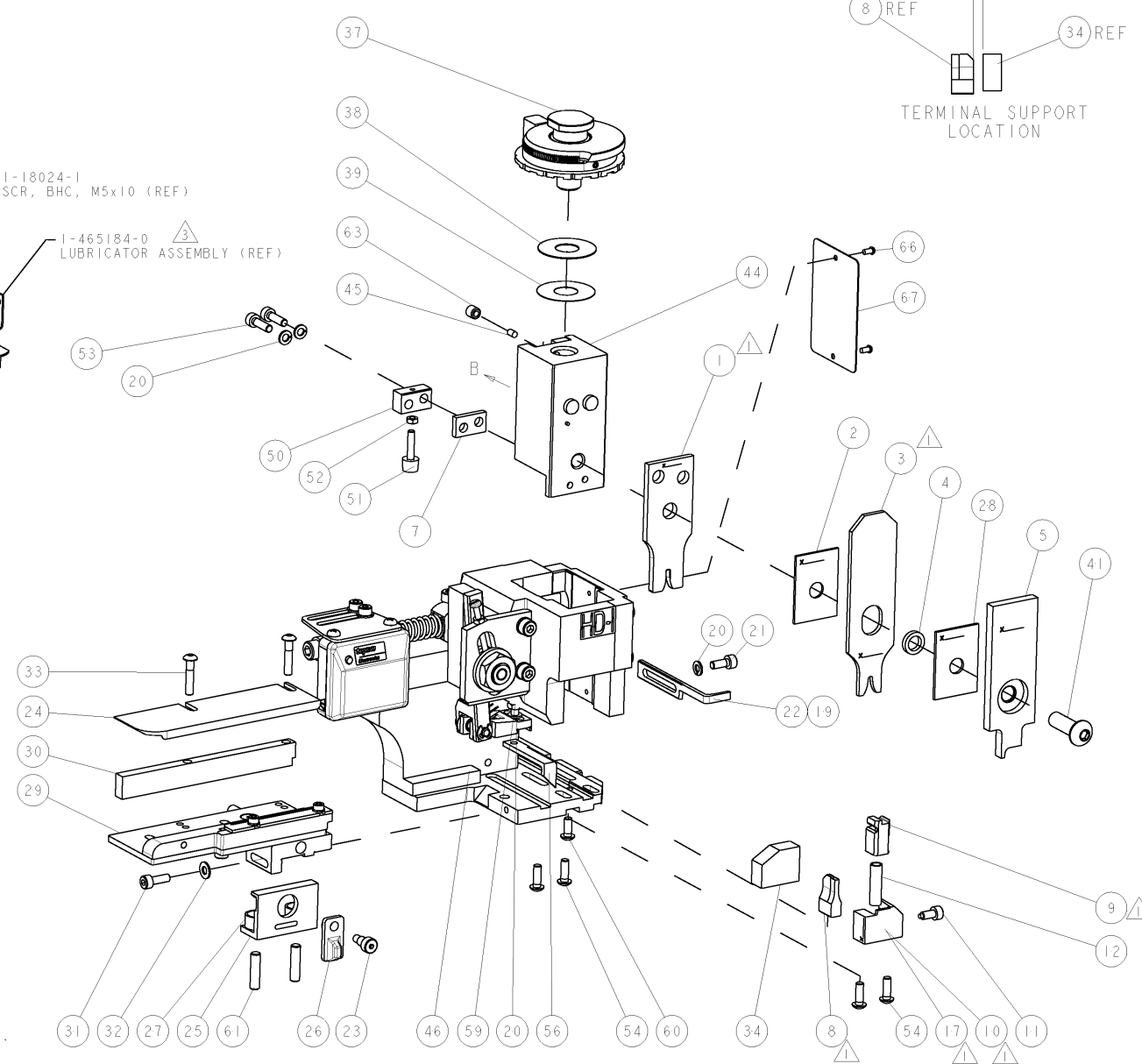
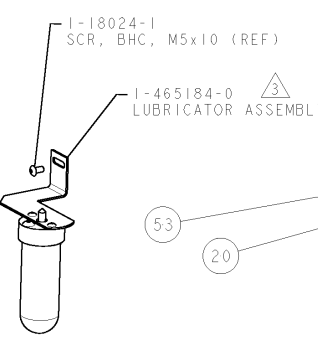
THE REPLACEMENT OCEAN STYLE APPLICATOR HAS THE  
SAME TERMINATOR/PRESS INTERFACE AS APPLICATOR  
1528919

THIS DRAWING IS A CONTROLLED DOCUMENT.		DWN	GOPALAKRISHNA HV		
DIMENSIONS:		CHK	GOPALAKRISHNA HV		
		TOLERANCES UNLESS OTHERWISE SPECIFIED:		APVD	
		0 PLC ± 1 PLC ± 2 PLC ± 3 PLC ± 4 PLC ± ANGLES ±		STOUGH DALE	
MATERIAL		PRODUCT SPEC		NAME	
FINISH		APPLICATION SPEC		FINE ADJUST SIDE FEED HDI APPLICATOR	
		WEIGHT	SIZE	CAGE CODE	DRAWING NO
			A3		©- 1528919
		CUSTOMER DRAWING		SCALE	SHEET 1 OF 2 REV A1



PART NUMBER	REV	TERMINATOR	FEED TYPE	DESCRIPTION
1528919-1	A	LEADMAKER	MECH POST FEED	CUTS CARRIER
1528919-2	A	BENCH	MECH PRE FEED	CUTS CARRIER
1528919-6	A	LEADMAKER	MECH POST FEED	CONTINUOUS CARRIER
7-1528919-1	A	LEADMAKER	MECH POST FEED	-1 AND SPARE PARTS
7-1528919-2	A	BENCH	MECH PRE FEED	-2 AND SPARE PARTS
7-1528919-6	A	LEADMAKER	MECH POST FEED	-6 AND SPARE PARTS
7-1528919-7	A	-	-	SPARE PARTS KIT

CRIMP DATA	YAZAKI TERMINAL	YAZAKI CRIMP SPECS
TERMINAL NAME: 1.5 SYSTEM CONNECTOR UNSEALED F/M TERMINAL		
CRIMP	SIZE	RANGE
WIRE	2.03 [0.080 IN]	F
INSUL	2.60 [0.102 IN]	OV
WIRE STRIP LENGTH 5.00-5.50 [0.197-0.216 IN]		APPL INSTRUCTIONS 408-8322 & 408-8490
TERMINAL APPL SPEC	YAZAKI DRAWING 3M5T-14474-DA4	FEED 11.50 [0.453 IN]
TERMINALS APPLIED		
TE PN	MANUF'S PN	
1949756-1	7116-4781-02	-
-	-	-
-	-	-
-	-	-
WIRE SIZE	CRIMP HEIGHT	REF SETTINGS
1.00mm <sup>2</sup>	1.25 ± 0.05 [0.049 ± 0.002 IN]	C2
0.75mm <sup>2</sup>	1.15 ± 0.05 [0.045 ± 0.002 IN]	C8

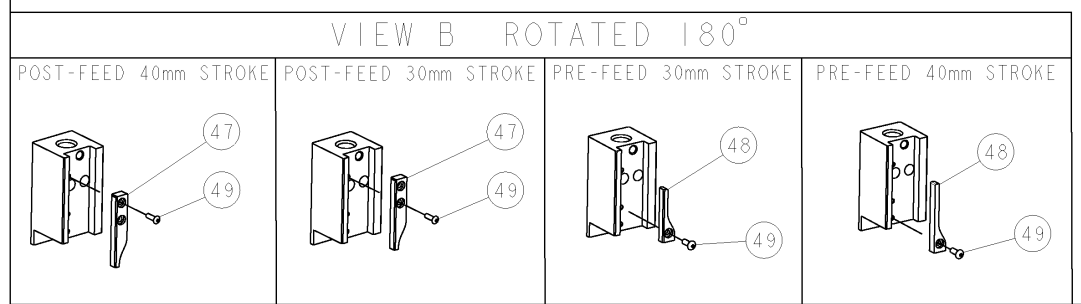


REV	DATE	BY	CHK	APP	DESCRIPTION
A	17SEP2008	MB	MC		ECO-08-023221

REV	DATE	BY	CHK	APP	DESCRIPTION	QTY	
-	-	-	-	-	-	73	
-	-	-	-	-	-	72	
-	1	1	1	1	1338705-3	DOCUMENTATION PACKAGE	71
-	-	-	-	-	-	70	
-	-	-	-	-	-	69	
-	-	-	-	-	-	68	
-	1	1	1	1	461264-5	PLATE, IDENTIFICATION	67
-	2	2	2	2	21017-2	SCREW, DRIVE	66
-	-	-	-	-	-	65	
-	-	-	-	-	-	64	
-	1	1	1	1	3-18031-0	SCR, SET, CUP POINT M6 X 6.0	63
-	-	-	-	-	-	62	
-	2	2	2	2	2-18032-5	SCR, SET, FLT POINT M5 X 20.0	61
-	1	1	1	1	18024-7	SCR, BTN SKT HD CAP (M4 X 10.0)	60
-	1	1	1	1	5-18022-2	SCR, HEX HD CAP M4 X 8.0	59
-	-	-	-	-	-	58	
-	-	-	-	-	-	57	
-	1	1	1	1	1338685-1	PAWL, FEED	56
-	-	-	-	-	-	55	
-	4	4	4	4	18024-8	SCR, BTN SKT HD CAP (M4 X 12.0)	54
-	2	2	2	2	9-18023-6	SCR, SKT HD CAP M4 X 14.0	53
-	1	1	1	1	18030-1	NUT, HEX, REG M3	52
-	1	1	1	1	811242-5	BUMPER, HOLD DOWN	51
-	1	1	1	1	690753-2	SPACER, TONKER	50
-	1	1	1	1	18024-3	SCR, BTN SKT HD CAP (M3 X 10.0)	49
-	-	-	-	-	1338675-1	CAM, UNIVERSAL PRE FEED	48
-	1	1	1	1	1338676-1	CAM, UNIVERSAL POST-FEED	47
-	1	1	1	1	1320999-3	APPLICATOR SUBASSEMBLY, HDI	46
-	1	1	1	1	690191-1	PLUG, NYLON	45
-	1	1	1	1	1338660-1	RAM	44
-	-	-	-	-	-	43	
-	-	-	-	-	-	42	
-	1	1	1	1	2-18024-6	SCR, BTN SKT HD CAP (M8 X 25.0)	41
-	-	-	-	-	-	40	
-	1	1	1	1	690125-1	SHIM SUB-ASSY	39
-	1	1	1	1	469367-9	SHIM	38
-	1	1	1	1	879103-2	FINE ADJUST HEAD ASSEMBLY	37
-	-	-	-	-	-	36	
-	-	-	-	-	-	35	
-	1	1	1	1	1320934-1	SUPPORT, TERMINAL	34
-	2	2	2	2	1-18024-0	SCR, BTN SKT HD CAP (M4 X 20.0)	33
-	1	1	1	1	18027-2	WASHER, FLAT, REG M4	32
-	1	1	1	1	1-18023-2	SCR, SKT HD CAP M4 X 12.0	31
-	1	1	1	1	1320908-1	SPACER, STRIP GUIDE	30
-	1	1	1	1	1633073-8	STRIP GUIDE ASSEMBLY	29
-	1	1	1	1	1-455888-2	SPACER, CRIMPER	28
-	2	2	2	2	1-22284-0	SPRING, COMPRESSION	27
-	1	1	1	1	356835-1	LEVER, DRAG RELEASE	26
-	1	1	1	1	240792-1	DRAG, TERMINAL	25
-	1	1	1	1	1320928-1	PLATE, STRIP GUIDE	24
-	1	1	1	1	980371-4	SCR, SKT HD SHLDR 5.0 DIA X 6.0	23
-	1	1	1	1	690472-2	STRIPPER	22
-	1	1	1	1	1-18023-1	SCR, SKT HD CAP M4 X 10.0	21
-	4	4	4	4	18025-2	WASHER, SPRG LOCK, REG M4	20
-	-	-	-	-	690472-1	STRIPPER	19
-	-	-	-	-	-	18	
-	1	1	1	1	1338684-1	SHEAR HOLDER, FRONT	17
-	-	-	-	-	-	16	
-	-	-	-	-	-	15	
-	-	-	-	-	-	14	
-	-	-	-	-	-	13	
-	1	1	1	1	3-22280-3	SPRING, COMPRESSION	12
-	1	1	1	1	356885-4	STOP, SHEAR	11
-	1	1	1	1	1320921-1	SHEAR HOLDER, FRONT, CUT	10
-	1	1	1	1	454276-1	FLOATING SHEAR, FRONT	9
-	1	2	2	2	9-1633138-9	ANVIL, COMBINATION	8
-	1	1	1	1	240641-5	SPACER	7
-	-	-	-	-	-	6	
-	1	1	1	1	1-455889-8	DEPRESSOR, SHEAR	5
-	1	1	1	1	238011-4	BLOCK, CRIMPER SPACER	4
-	1	2	2	2	2-1633569-1	CRIMPER, INSULATION OVERLAP	3
-	1	1	1	1	1-455888-0	SPACER, CRIMPER	2
-	1	2	2	2	456405-8	CRIMPER, WIRE PREMIUM	1

\* WARNING  
ON INSTALLATION, SET WIRE DISC TO LARGEST WIRE SIZE SETTING. USE OF SETTINGS BELOW MIN. REQUIRED CRIMP HEIGHT SETTING WILL CAUSE DAMAGE TO CRIMP TOOLING.

- △ RECOMMENDED SPARE PARTS.
- 2. GREASE RAM, CAM, CAM FOLLOWER AND FEED ROD LIGHTLY.
- △ CERTAIN TERMINALS REQUIRE LUBRICATION. REFER TO THE APPLICATOR INSTRUCTION SHEET FOR MORE INFORMATION.
- 4. LUBRICATE DAILY PER THE APPLICATOR INSTRUCTION SHEET SUPPLIED WITH THE APPLICATOR.
- △ ALL CRIMP DATA SUPPLIED BY THE TERMINAL MANUFACTURER.
- △ CRIMPER & ANVIL DIMS MAY NOT CONFORM TO THOSE SHOWN IN YAZAKI SPEC.
- △ INSULATION CRIMP HEIGHTS NOT RECOMMENDED BY TYCO ELECTRONICS UK LTD.



REV	DATE	BY	CHK	APP	DESCRIPTION	QTY			
-	-	-	-	-	-	84			
-	-	-	-	-	-	83			
-	-	-	-	-	-	82			
-	-	-	-	-	-	81			
-	-	-	-	-	-	80			
-	-	-	-	-	-	79			
-	-	-	-	-	-	78			
-	-	-	-	-	-	77			
-	-	-	-	-	-	76			
-	-	-	-	-	-	75			
-	-	-	-	-	-	74			
-77	-76	-72	-71	-6	-2	-1	PART NO	DESCRIPTION	ITEM NO

OWNER: M. BETTIS	DATE: 08AUG2008	TYCO ELECTRONICS	17105-3608
APPROVED: M. BETTIS	DATE: 08AUG2008	FINE ADJUST SIDE FEED HDI APPLICATOR	
DIMENSIONS: mm [IN]		TOLERANCES UNLESS OTHERWISE SPECIFIED:	
0 PLC ±		1 PLC ±	
2 PLC ±		3 PLC ±	
4 PLC ±		5 PLC ±	
MATERIAL:		FINISH:	
WEIGHT:		SCALE: 3:5	
CUSTOMER DRAWING:		SHEET 1 OF 1	