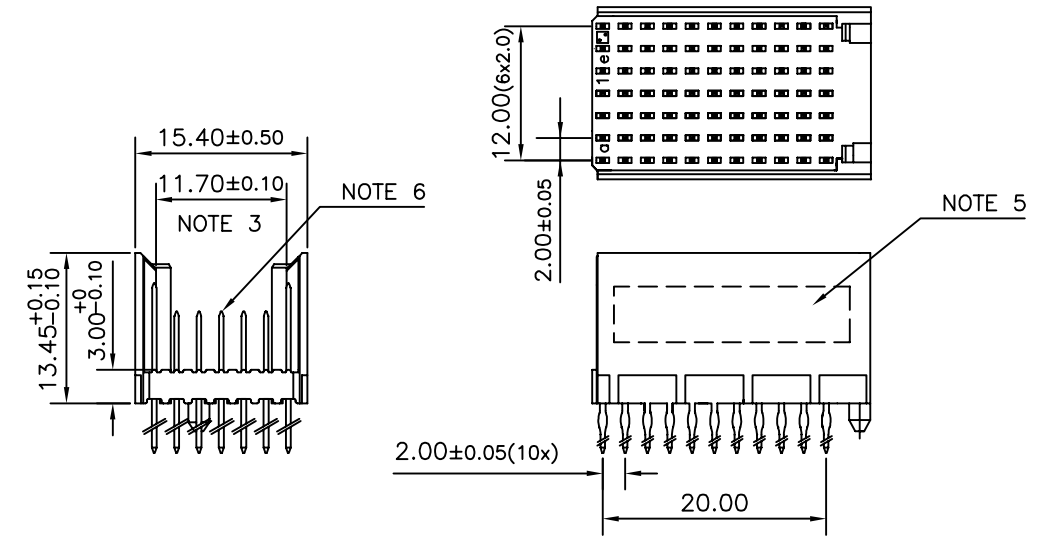


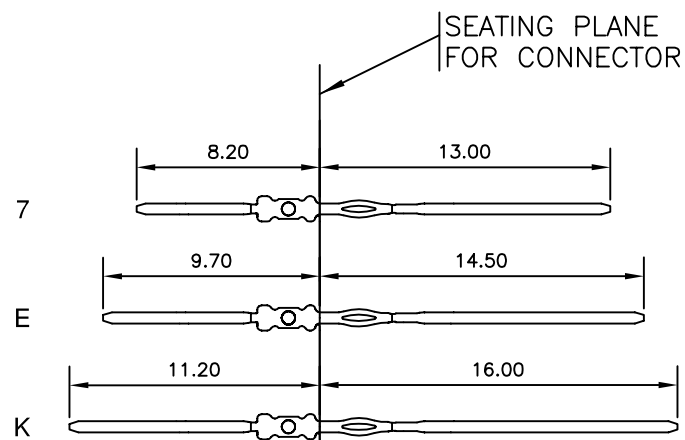
LOADING PATTERN MATING SIDE

f	K	K	K	K	K	K	K	K	K	K
e	K	7	7	7	7	7	7	7	7	K
d	E	7	7	7	7	7	7	7	7	E
c	E	7	7	7	7	7	7	7	7	E
b	E	7	7	7	7	7	7	7	7	E
a	K	7	7	7	7	7	7	7	7	K
z	K	K	K	K	K	K	K	K	K	K
P	0									
O	1									
S		0	5							1
S										0

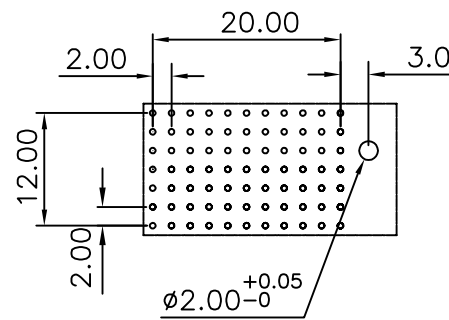
LOADED CONNECTOR ASSEMBLY
(FOR EXAMPLE)



CONTACT OVERVIEW



LAY-OUT P.C.B.-HOLE



HM2P09PNT114 **LEAD FREE INDICATOR : LF = LEAD FREE (DIGIT 15 & 16)**
PLATING CODE (DIGIT 13 AND 14)
(REF DRW NO. BS,C , 201844 , 003)

NOTES

- THIS PRODUCT IS CSA APPROVED.
- THIS PRODUCT IS UL RECOGNIZED.
- MEASURED AT THE BOTTOM.
- MATERIAL CONTACT: PHOSPHORBRONZE
HOUSING: CREAM WHITE GLASS FILLED POLYESTER UL-94V0
- CONNECTOR PRINTED WITH P/N AND DATE CODE.
- FOR ACTUAL CONTACT LOADINGS, SEE LOADING PATTERN MATING SIDE.
- SHAPE OF CONNECTOR HOUSING CAN ALTER DEPENDING ON PRODUCTION LOCATION
- THE PRODUCT (LF) MEETS EUROPEAN UNION DIRECTIVES AND OTHER COUNTRY REGULATIONS AS DESCRIBED IN GS-22-008
- FOR RECOMMENDED PTH DIMENSIONS REFER DRAWING : BS, A , 201572 , 001

CATALOG NO: HM2P09PNT114----

mat'l. code SEE NOTE 4		surface ISO 1302 ✓	tolerance ISO 406 ISO 1101	projection 	product family MILLIPACS
ltr	ecn no	dr	date	title MPACS 5+2R STR HDR PF CONN TYPE C	
A	105-0076	MINI	2005-05-21	angles	scale —
B	105-0222	MINI	2005-11-08	linear	
C	106-0099	MINI	2006-07-12	0°±1°	
		dr	MINI K VANDANATH	2005-05-21	dwg no sheet 1 of 1 BS, C ,203028, 251 size A3 type Product Customer Drawing
		enr	BIJU K PAUL	2005-05-21	
		chr	BIJU K PAUL	2006-07-12	
		appd	BIJU K PAUL	2006-07-12	
sheet index	revision sheet	c	1		