

# Data sheet

## SM02V01VXNN00G1 15-inch Reel solder pad/solder side

Page 1/5

P/N  
ASM02V0108-0G16

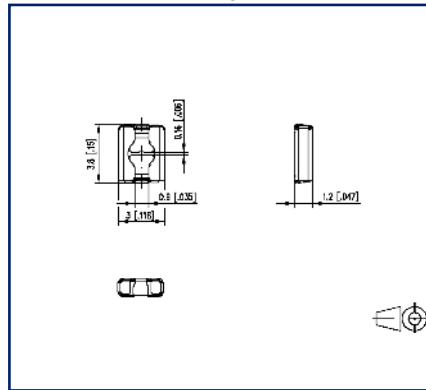
2023/06/28

Version: N

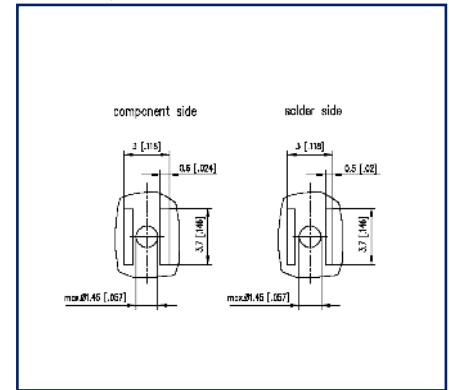
### Illustrations



Dimensional drawing



PCB-Layout



See enlarged drawings at the end of document

### Product specification

- spring clamp terminal block, SMT solderable
- one-way contact
- direction of connection vertical 0°
- Tape & Reel packaging

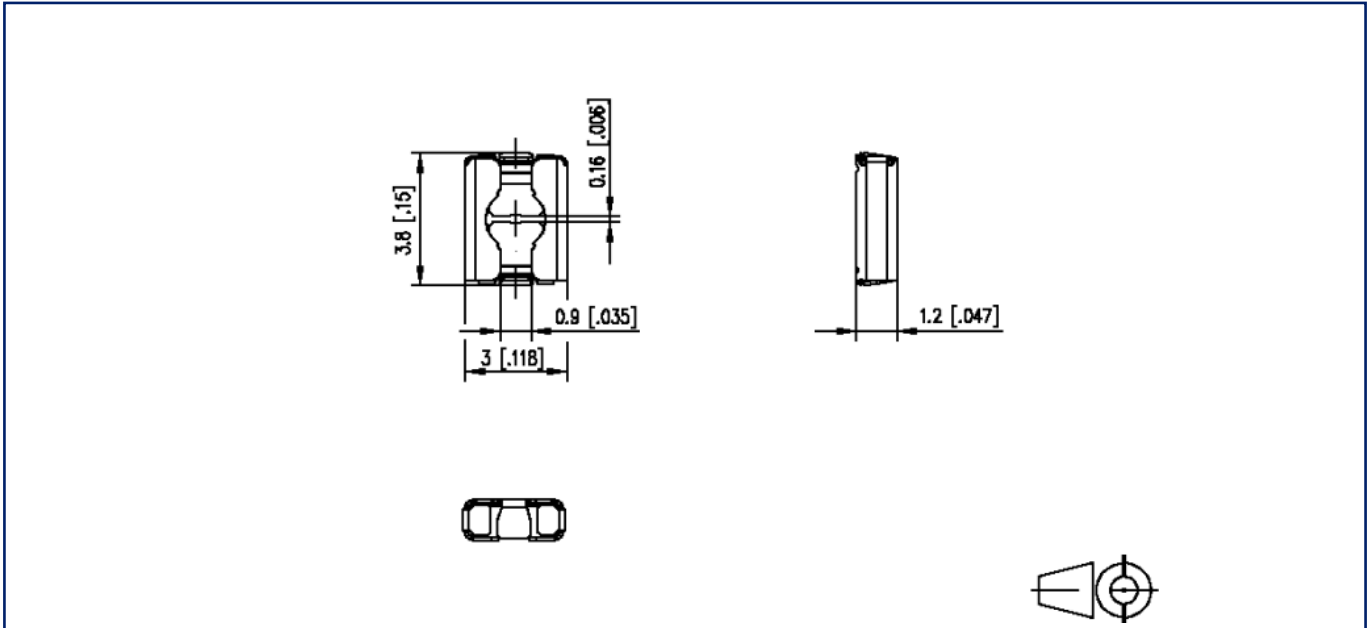
## Technical Data

| General Data             |  |
|--------------------------|--|
| min. number of poles     | 1  |
| max. number of poles     | 1  |
| Protection category      | IP00   |
| Min. insul. strip length | 4 mm   |
| Rated current            | 4 A  |
| Terminal data            |  |
| rat.wiring solid AWGmax  | 0.25 mm <sup>2</sup> - 0.5 mm <sup>2</sup> / AWG 24 - AWG 20   |
| Material                 |  |
| contact material         | CuBe   |
| Contact surface          | Ni + Sn  |
| Climatic Data            |  |
| upper limit temperature  | 150 °C   |
| lower limit temperature  | -40 °C   |
| general                  |  |
| Tolerance                | ISO 2768 -mH   |
| Solderability            | Acc. to IPC/JEDEC J-STD-020D-MSL 1   |
| Sicherheitshinweis       |  |
| Safety instructions      | Components have to be fixed in a way to prevent any transmission of forces on to the contact. Components with more than one pin are recommended. |
| General information      |  |
| General information      | Technical data were determined with round copper wires.  |

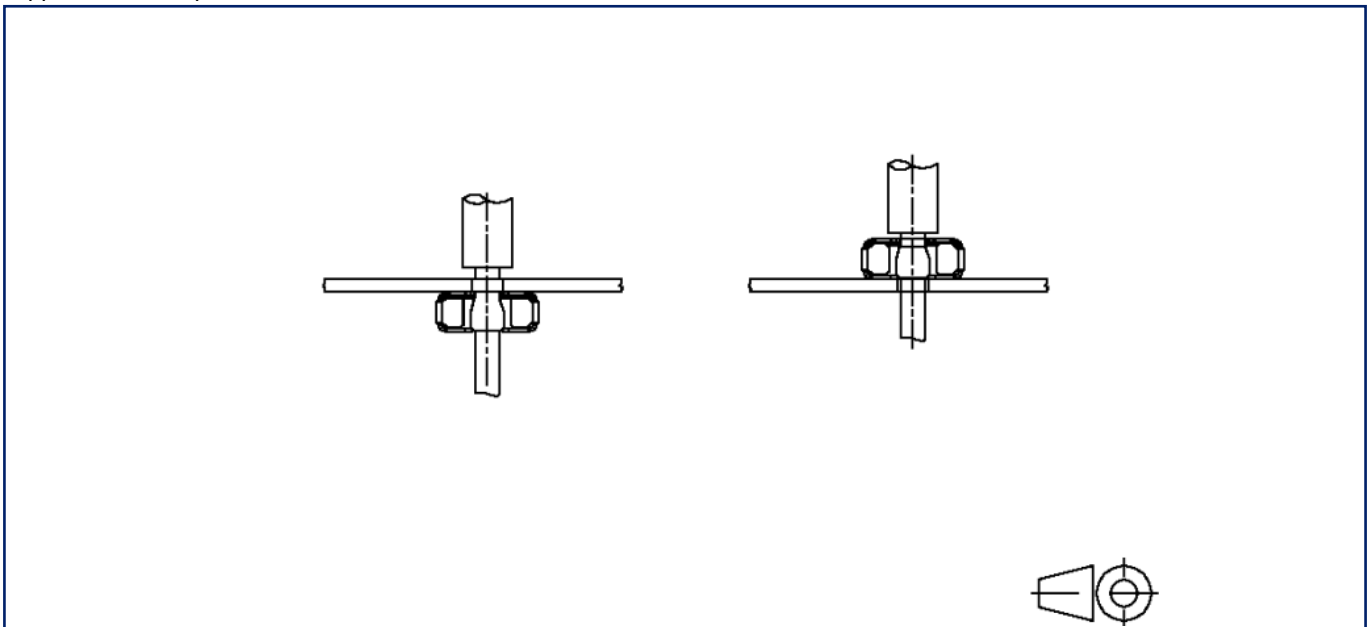


**Illustrations**

Dimensional drawing

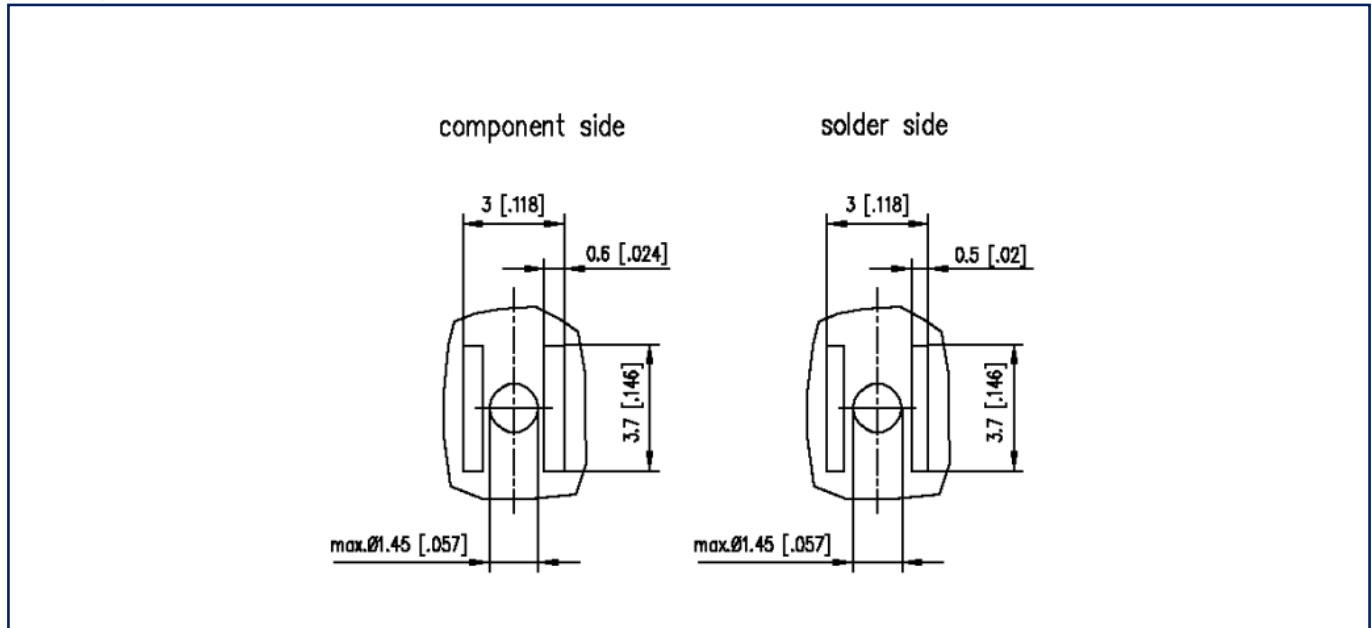


Application example



**Illustrations**

PCB-Layout



# U | Contact

Data sheet

**SM02V01VXNN00G1 15-inch Reel solder pad/solder side**

Page 5/5

P/N  
**ASM02V0108-0G16**

2023/06/28  
Version: N

## Illustrations