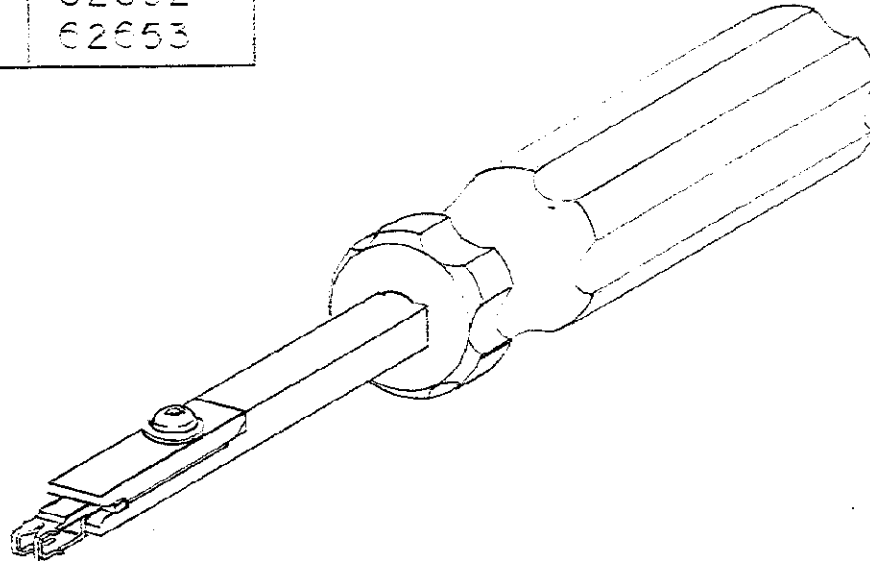


© COPYRIGHT 1977 BY AMP INCORPORATED, HARRISBURG, PA. ALL INTERNATIONAL RIGHTS RESERVED. AMP INCORPORATED PRODUCTS COVERED BY U.S. AND FOREIGN PATENTS AND /OR PATENTS PENDING.

REVISIONS				
LTR	DESCRIPTION	DATE	APPROVED	P/F
A	ADDED NOSE CHAMFER.	7-11-77	<i>[Signature]</i>	/
B	REVISED.	7-18-77	<i>[Signature]</i>	

TOOL NO.	TERM. NO.
	62600
274282-1	62651
	62652
	62653



"250" FASTON TAB

PART NO

UNLESS OTHERWISE SPECIFIED DIMENSIONS ARE IN INCHES. TOLERANCES ON:  
 DECIMALS ± .005  
 ANGLES ±

CONTRACT NO  
 DR *M* 6-29-77  
 CHK *B* 6/77



NAME TOOL, INSERTION M.W.I.C. TERM.

MATERIAL

APPD

SIZE **A** CODE IDENT NO **00779** DRAWING NO **274282**

FINISH

DSGN APPD  
 OTHER APPD

SCALE SHEET 1 of 1