

© COPYRIGHT 1975 BY AMP INCORPORATED, HARRISBURG, PA. ALL INTERNATIONAL RIGHTS RESERVED. AMP INCORPORATED PRODUCTS COVERED BY U. S. AND FOREIGN PATENTS AND/OR PATENTS PENDING.

REVISIONS						
P	F	ZONE	LTR	DESCRIPTION	DATE	APPROVED
		F		PLASTIC MATERIAL SUPPLIER CHANGED FOR HOUSING	05MAY2021	SB KJK

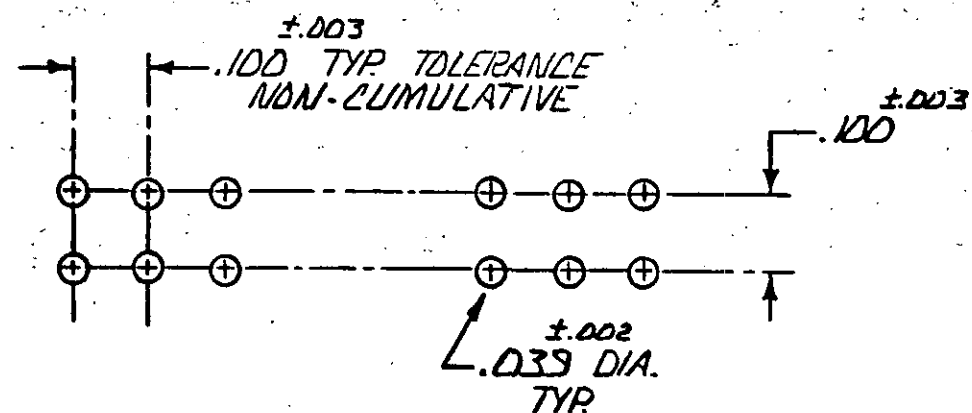
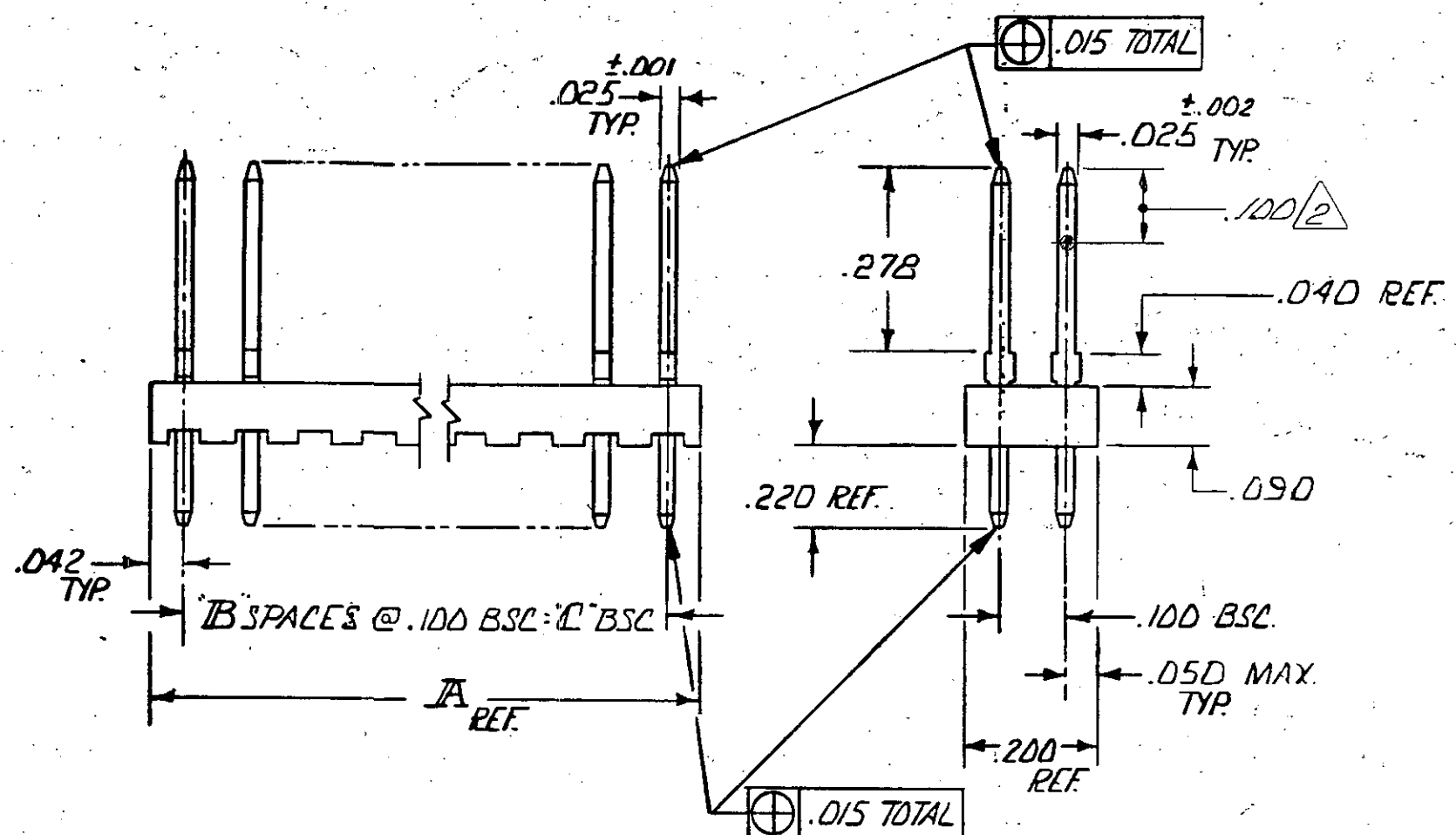
PART NO.	NO. OF PDS.	B	C	A
87346-1	20	9	.900	.584
2	26	12	1.200	1.284
3	4	1	.100	.184
4	50	24	2.400	2.484
5	10	4	.400	.484
6	40	19	1.900	1.984
7	2	—	—	.084
8	6	2	.200	.284
9	8	3	.300	.384
1-87346-0	12	5	.500	.584
1-	14	6	.600	.684
1-	16	7	.700	.784
1-	18	8	.800	.884
1-	22	10	1.000	1.084
1-	24	11	1.100	1.184
1-	28	13	1.300	1.384
1-	30	14	1.400	1.484
1-	32	15	1.500	1.584
1-	34	16	1.600	1.684
2-87346-0	36	17	1.700	1.784
2-	38	18	1.800	1.884
2-	42	20	2.000	2.084
2-	44	21	2.100	2.184
2-	46	22	2.200	2.284
2-	48	23	2.300	2.384
2-	52	25	2.500	2.584
2-	54	26	2.600	2.684
2-	56	27	2.700	2.784
2-	58	28	2.800	2.884
3-87346-0	60	29	2.900	2.984
3-	62	30	3.000	3.084
3-	64	31	3.100	3.184
3-	66	32	3.200	3.284
3-	68	33	3.300	3.384
3-	70	34	3.400	3.484
3-	72	35	3.500	3.584
3-	74	36	3.600	3.684
3-	76	37	3.700	3.784
3-	78	38	3.800	3.884
4-87346-0	80	39	3.900	3.984

OBSOLETE
4

OBSOLETE
4

OBSOLETE
4

OBSOLETE
4



RECOMMENDED HOLE LAYOUT

- 1. TRUE POSITION TOLERANCE OF POST TIPS APPLIES WHEN HEADERS ARE HELD FLAT AGAINST PRINTED CIRCUIT BOARD.
- 2. POINT OF MEASUREMENT FOR PLATING THICKNESS.
- 3. OBSOLETE PART NUMBER.
- 4. OBSOLETE PARTS: OBSOLETE CIS STREAMLINING PER D.RENAUD/D.SINISI

UNLESS OTHERWISE SPECIFIED DIMENSIONS ARE IN INCHES. TOLERANCES ON: DECIMALS ±.005 ANGLES ±		CONTRACT NO		PART NO	
MATERIAL HSB. - GLASS FILLED NYLON COLOR: BLACK POST - PHOS. BRONZE		DR D. [Signature] 7/10/75		NAME	
FINISH POST - .000015 GOLD OVER .000050 NICKEL		CHK B. [Signature] 7-11-75		TE Connectivity	
		APPD B. [Signature] 7/29/75		HOUSING ASSEMBLY, MOD II, .100 x .100 GRID, DBL. ROW	
		APPD R. [Signature] 7/29/75		SIZE CODE IDENT NO DRAWING NO	
		DSGN APPD		C 00779 87346	
		OTHER APPD		SCALE SHEET 1 of 1 REV F	