

# 54ACT11253, 74ACT11253 DUAL 1-OF-4 DATA SELECTORS/MULTIPLEXERS WITH 3-STATE OUTPUTS

T10113—D3110, MARCH 1988—REVISED MARCH 1990

- Inputs are TTL-Voltage Compatible
- Three-State Version of 'ACT11153
- Permits Multiplexing from N Lines to 1 Line
- Performs Parallel-to-Serial Conversion
- Package Options Include Plastic "Small Outline" Packages, Ceramic Chip Carriers, and Standard Plastic and Ceramic 300-mil DIPs
- Flow-Through Architecture to Optimize PCB Layout
- Center-Pin  $V_{CC}$  and GND Configurations to Minimize High-Speed Switching Noise
- EPIC™ (Enhanced-Performance Implanted CMOS) 1- $\mu$ m Process

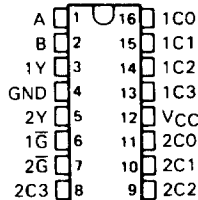
## description

Each of these data selectors/multiplexers contains inverters and drivers to supply full binary decoding data selection to the AND-OR gates. Separate output control inputs are provided for each of the two four-line sections.

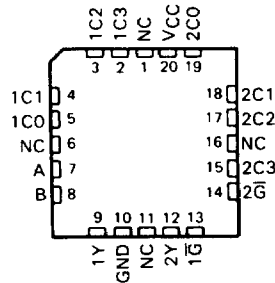
The three-state outputs can interface with and drive data lines of bus-organized systems. With all but one of the common outputs disabled (at a high-impedance state) the low-impedance of the single enabled output will drive the bus line to a high or low logic level. Each output has its own output enable ( $\bar{G}$ ). The output is disabled when its strobe is high.

The 54ACT11253 is characterized for operation over the full military temperature range of  $-55^{\circ}\text{C}$  to  $125^{\circ}\text{C}$ . The 74ACT11253 is characterized for operation from  $-40^{\circ}\text{C}$  to  $85^{\circ}\text{C}$ .

54ACT11253 ... J PACKAGE  
74ACT11253 ... D OR N PACKAGE  
(TOP VIEW)

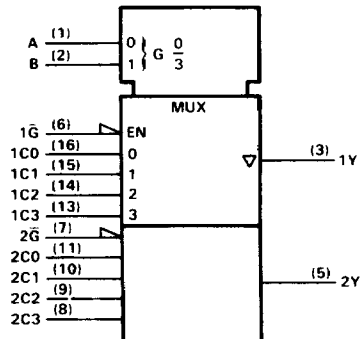


54ACT11253 ... FK PACKAGE  
(TOP VIEW)



NC—No internal connection

## logic symbol†



† This symbol is in accordance with ANSI/IEEE Std 91-1984 and IEC Publication 617-12.

Pin numbers shown are for D, J, and N packages.

EPIC is a trademark of Texas Instruments Incorporated.

PRODUCTION DATA documents contain information current as of publication date. Products conform to specifications per the terms of Texas Instruments standard warranty. Production processing does not necessarily include testing of all parameters.

**TEXAS  
INSTRUMENTS**

Copyright © 1990, Texas Instruments Incorporated

**54ACT11253, 74ACT11253**  
**DUAL 1-OF-4 DATA SELECTORS/MULTIPLEXERS**  
**WITH 3-STATE OUTPUTS**

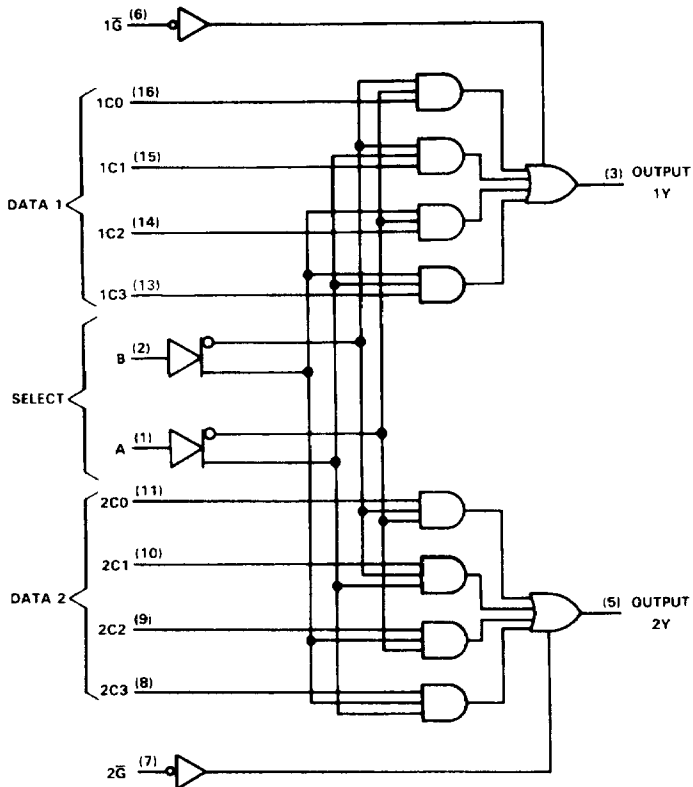
TI0113—D3110, MARCH 1988—REVISED MARCH 1990

**FUNCTION TABLE**

SELECT INPUTS		DATA INPUTS				OUTPUT ENABLE	OUTPUT
B	A	C0	C1	C2	C3	$\bar{G}$	Y
X	X	X	X	X	X	H	Z
L	L	L	X	X	X	L	L
L	L	H	X	X	X	L	H
L	H	X	L	X	X	L	L
L	H	X	H	X	X	L	H
H	L	X	X	L	X	L	L
H	L	X	X	H	X	L	H
H	H	X	X	X	L	L	L
H	H	X	X	X	H	L	H

Address inputs A and B are common to both sections.

**logic diagram (positive logic)**



Pin numbers shown are for D, J, and N packages.

# 54ACT11253, 74ACT11253 DUAL 1-OF-4 DATA SELECTORS/MULTIPLEXERS WITH 3-STATE OUTPUTS

D3110, MARCH 1988—REVISED MARCH 1990—T10113

## absolute maximum ratings over operating free-air temperature range (unless otherwise noted)†

Supply voltage range, $V_{CC}$ .....	-0.5 V to 7 V
Input voltage range, $V_I$ (see Note 1) .....	-0.5 V to $V_{CC} + 0.5$ V
Output voltage range, $V_O$ (see Note 1) .....	-0.5 V to $V_{CC} + 0.5$ V
Input clamp current, $I_{IK}$ ( $V_I < 0$ or $V_I > V_{CC}$ ) .....	$\pm 20$ mA
Output clamp current, $I_{OK}$ ( $V_O < 0$ or $V_O > V_{CC}$ ) .....	$\pm 50$ mA
Continuous output current, $I_O$ ( $V_O = 0$ to $V_{CC}$ ) .....	$\pm 50$ mA
Continuous current through $V_{CC}$ or GND pins .....	$\pm 100$ mA
Storage temperature range .....	-65°C to 150°C

† Stresses beyond those listed under "absolute maximum ratings" may cause permanent damage to the device. These are stress ratings only and functional operation of the device at these or any other conditions beyond those indicated under "recommended operating conditions" is not implied. Exposure to absolute-maximum-rated conditions for extended periods may affect device reliability.

NOTE 1: The input and output voltage ratings may be exceeded if the input and output current ratings are observed.

## recommended operating conditions

		54ACT11253		74ACT11253		UNIT
		MIN	MAX	MIN	MAX	
$V_{CC}$	Supply voltage	4.5	5.5	4.5	5.5	V
$V_{IH}$	High-level input voltage	2		2		V
$V_{IL}$	Low-level input voltage		0.8		0.8	V
$V_I$	Input voltage	0	$V_{CC}$	0	$V_{CC}$	V
$V_O$	Output voltage	0	$V_{CC}$	0	$V_{CC}$	V
$I_{OH}$	High-level output current		-24		-24	mA
$I_{OL}$	Low-level output current		24		24	mA
$\Delta t/\Delta v$	Input transition rise or fall rate	0	10	0	10	ns/V
$T_A$	Operating free-air temperature	-55	125	-40	85	°C

## electrical characteristics over recommended operating free-air temperature range (unless otherwise noted)

PARAMETER	TEST CONDITIONS	$V_{CC}$	$T_A = 25^\circ\text{C}$			54ACT11253		74ACT11253		UNIT
			MIN	TYP	MAX	MIN	MAX	MIN	MAX	
$V_{OH}$	$I_{OH} = -50 \mu\text{A}$	4.5 V	4.4		4.4	4.4			V	
		5.5 V	5.4		5.4	5.4				
	$I_{OH} = -24 \text{ mA}$	4.5 V	3.94		3.7	3.8				
		5.5 V	4.94		4.7	4.8				
	$I_{OH} = -50 \text{ mA}^\ddagger$	5.5 V			3.85					
$I_{OH} = -75 \text{ mA}^\ddagger$	5.5 V					3.85				
$V_{OL}$	$I_{OL} = 50 \mu\text{A}$	4.5 V		0.1	0.1	0.1			V	
		5.5 V		0.1	0.1	0.1				
	$I_{OL} = 24 \text{ mA}$	4.5 V		0.36	0.5	0.44				
		5.5 V		0.36	0.5	0.44				
	$I_{OL} = 50 \text{ mA}^\ddagger$	5.5 V			1.65					
$I_{OL} = 75 \text{ mA}^\ddagger$	5.5 V					1.65				
$I_{OZ}$	$V_O = V_{CC}$ or GND	5.5 V		$\pm 0.5$	$\pm 10$		$\pm 5$	$\mu\text{A}$		
$I_I$	$V_I = V_{CC}$ or GND	5.5 V		$\pm 0.1$	$\pm 1$		$\pm 1$	$\mu\text{A}$		
$I_{CC}$	$V_I = V_{CC}$ or GND, $I_O = 0$	5.5 V		8	160		80	$\mu\text{A}$		
$\Delta I_{CC}^\S$	One input at 3.4 V, Other inputs at GND or $V_{CC}$	5.5 V		0.9	1		1	mA		
$C_i$	$V_I = V_{CC}$ or GND	5 V		3.5				pF		
$C_o$	$V_O = V_{CC}$ or GND	5 V		8				pF		

‡ Not more than one output should be tested at one time, and the duration of the test should not exceed 10 ms.

§ This is the increase in supply current for each input that is at one of the specified TTL voltage levels rather than 0 V or  $V_{CC}$ .



**54ACT11253, 74ACT11253**  
**DUAL 1-OF-4 DATA SELECTORS/MULTIPLEXERS**  
**WITH 3-STATE OUTPUTS**

T10113—D3110, MARCH 1988—REVISED MARCH 1990

**switching characteristics,  $V_{CC} = 5 V \pm 0.5 V$  (see Figure 1)**

PARAMETER	FROM (INPUT)	TO (OUTPUT)	$T_A = 25^\circ C$			54ACT11253		74ACT11253		UNIT
			MIN	TYP	MAX	MIN	MAX	MIN	MAX	
$t_{PLH}$	A or B	Any Y	1.5	6.8	9.8	1.5	11.8	1.5	11	ns
$t_{PHL}$			1.5	9.1	12.6	1.5	15.5	1.5	14.3	
$t_{PLH}$	Data (Any C)	Y	1.5	5.7	7.4	1.5	8.9	1.5	8.3	ns
$t_{PHL}$			1.5	7.2	10.5	1.5	12.5	1.5	11.7	
$t_{PZH}$	$\bar{G}$	Y	1.5	5	7.6	1.5	9	1.5	8.5	ns
$t_{PZL}$			1.5	4.8	7.3	1.5	8.6	1.5	8.1	
$t_{PHZ}$	$\bar{G}$	Y	1.5	6.4	8.6	1.5	9.5	1.5	9.2	ns
$t_{PLZ}$			1.5	5.9	7.4	1.5	8.1	1.5	7.8	

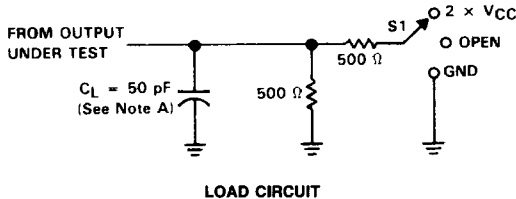
**operating characteristics,  $V_{CC} = 5 V, T_A = 25^\circ C$**

PARAMETER		TEST CONDITIONS	TYP	UNIT
$C_{pd}$	Power dissipation capacitance per multiplexer		Outputs enabled	42
		Outputs disabled	18	

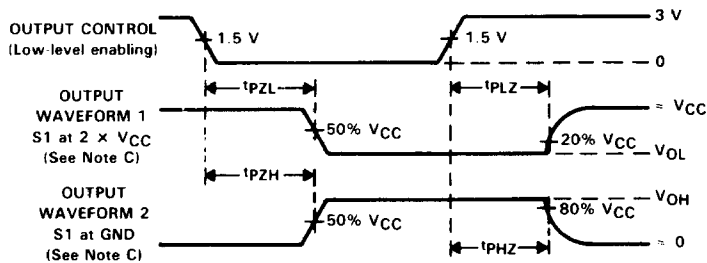
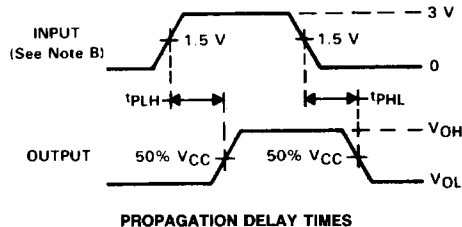
**54ACT11253, 74ACT11253**  
**DUAL 1-OF-4 DATA SELECTORS/MULTIPLEXERS**  
**WITH 3-STATE OUTPUTS**

D3110, MARCH 1988—REVISED MARCH 1990—T10113

**PARAMETER MEASUREMENT INFORMATION**



TEST	S1
$t_{PLH}/t_{PHL}$	OPEN
$t_{PLZ}/t_{PZL}$	$2 \times V_{CC}$
$t_{PHZ}/t_{PZH}$	GND



- NOTES: A.  $C_L$  includes probe and jig capacitance.  
 B. Input pulses are supplied by generators having the following characteristics: PRR  $\leq 10 \text{ MHz}$ ,  $Z_0 = 50 \Omega$ ,  $t_r = 3 \text{ ns}$ ,  $t_f = 3 \text{ ns}$ .  
 C. Waveform 1 is for an output with internal conditions such that the output is low except when disabled by the output control. Waveform 2 is for an output with internal conditions such that the output is high except when disabled by the output control.  
 D. The outputs are measured one at a time with one input transition per measurement.

**FIGURE 1. LOAD CIRCUIT AND VOLTAGE WAVEFORMS**