

1658624-2 ✓ ACTIVE

AMP-LATCH | AMP-LATCH - NOVO

TE Internal #: 1658624-2

Ribbon Cable Connectors, Wire-to-Board, 14 Position, 2.54 mm [.1 in] Centerline, Vertical, Through Hole - Solder, 2 Row, Receptacle, AMP-LATCH - NOVO

[View on TE.com >](#)



Connectors > PCB Connectors > Wire-to-Board Connectors > FFC, FPC & Ribbon Connectors > Ribbon Cable Connectors



Connector System: **Wire-to-Board**

Number of Positions: **14**

Centerline (Pitch): **2.54 mm [.1 in]**

PCB Mount Retention: **Without**

PCB Mount Orientation: **Vertical**

Features

Product Type Features

| | |
|------------------------------------|--------------------|
| Ribbon Cable Connector Header Type | Pin Header |
| Connector Product Type | Connector Assembly |
| Connector System | Wire-to-Board |
| Connector & Housing Type | Receptacle |
| Connector & Contact Terminates To | Wire & Cable |

Configuration Features

| | |
|-----------------------|----------|
| Number of Positions | 14 |
| PCB Mount Orientation | Vertical |
| Number of Rows | 2 |

Electrical Characteristics

| | |
|-----------------------|---------|
| Insulation Resistance | 5000 MΩ |
| Operating Voltage | 250 VAC |

Body Features

| | |
|-------------|---------|
| Daisy Chain | Without |
|-------------|---------|



| | |
|-----------------------|-------|
| Primary Product Color | Black |
| Connector Profile | Low |

Contact Features

| | |
|---|--|
| Mating Square Post Dimension | .64 mm[.025 in] |
| Mating Pin Diameter | .64 mm[.025 in] |
| Contact Type | Socket |
| Wire Contact Termination Area Plating Thickness | 1.27 μ m[50 μ in] |
| Wire Contact Termination Area Plating Material | Tin |
| Contact Mating Area Plating Material Thickness | .76 μ m[29.92 μ in] |
| Contact Mating Area Plating Material | Gold, Gold Flash over Palladium Nickel |
| Contact Shape & Form | Tuning Fork |
| Contact Underplating Material | Nickel |
| Contact Base Material | Phosphor Bronze |
| Contact Current Rating (Max) | 1 A |

Termination Features

| | |
|---|-------------------------------|
| Termination Method to Wire & Cable | Insulation Displacement (IDC) |
| Termination Method to Printed Circuit Board | Through Hole - Solder |

Mechanical Attachment

| | |
|-------------------------|----------------------------|
| Mating Alignment | With |
| PCB Mount Alignment | Without |
| Panel Mount Feature | Without |
| PCB Mount Retention | Without |
| Mating Alignment Type | Polarization |
| Mating Retention | Without |
| Connector Mounting Type | Cable Mount (Free-Hanging) |

Housing Features

| | |
|--------------------|----------------|
| Housing Material | Thermoplastic |
| Centerline (Pitch) | 2.54 mm[.1 in] |

Dimensions

| | |
|------------------|-------------------|
| Connector Length | 22.35 mm[.88 in] |
| Connector Height | 15.16 mm[.597 in] |
| Connector Width | 7.49 mm[.295 in] |



| | |
|--------------------------------------|-------------------------------|
| Wire Size | .08 – .15 mm ² |
| Compatible Insulation Diameter Range | .79 – .94 mm [.031 – .037 in] |
| Row-to-Row Spacing | 2.54 mm [.1 in] |

Usage Conditions

| | |
|-----------------------------|-----------------------------|
| Operating Temperature Range | -65 – 105 °C [-85 – 221 °F] |
|-----------------------------|-----------------------------|

Operation/Application

| | |
|---------------------|--------|
| Circuit Application | Signal |
|---------------------|--------|

Industry Standards

| | |
|------------------------|-----------------------|
| UL Rating | Recognized |
| Agency/Standard | CSA, UL |
| Approved Standards | CSA LR7189, UL E28476 |
| UL Flammability Rating | UL 94V-0 |

Packaging Features

| | |
|--------------------|------------------|
| Packaging Quantity | 50 |
| Packaging Method | Box & Tube, Tube |

Product Compliance

[For compliance documentation, visit the product page on TE.com>](#)

| | |
|---|--|
| EU RoHS Directive 2011/65/EU | Compliant |
| EU ELV Directive 2000/53/EC | Compliant |
| China RoHS 2 Directive MIIT Order No 32, 2016 | No Restricted Materials Above Threshold |
| EU REACH Regulation (EC) No. 1907/2006 | Current ECHA Candidate List: JUNE 2023 (235) Candidate List Declared Against: JAN 2023 (233) Does not contain REACH SVHC |
| Halogen Content | Not Low Halogen - contains Br or Cl > 900 ppm. |
| Solder Process Capability | Not applicable for solder process capability |

Product Compliance Disclaimer



This information is provided based on reasonable inquiry of our suppliers and represents our current actual knowledge based on the information they provided. This information is subject to change. The part numbers that TE has identified as EU RoHS compliant have a maximum concentration of 0.1% by weight in homogenous materials for lead, hexavalent chromium, mercury, PBB, PBDE, DBP, BBP, DEHP, DIBP, and 0.01% for cadmium, or qualify for an exemption to these limits as defined in the Annexes of Directive 2011/65/EU (RoHS2). Finished electrical and electronic equipment products will be CE marked as required by Directive 2011/65/EU. Components may not be CE marked. Additionally, the part numbers that TE has identified as EU ELV compliant have a maximum concentration of 0.1% by weight in homogenous

materials for lead, hexavalent chromium, and mercury, and 0.01% for cadmium, or qualify for an exemption to these limits as defined in the Annexes of Directive 2000/53/EC (ELV). Regarding the REACH Regulation, the information TE provides on SVHC in articles for this part number is based on the latest European Chemicals Agency (ECHA) 'Guidance on requirements for substances in articles' posted at this URL: <https://echa.europa.eu/guidance-documents/guidance-on-reach>

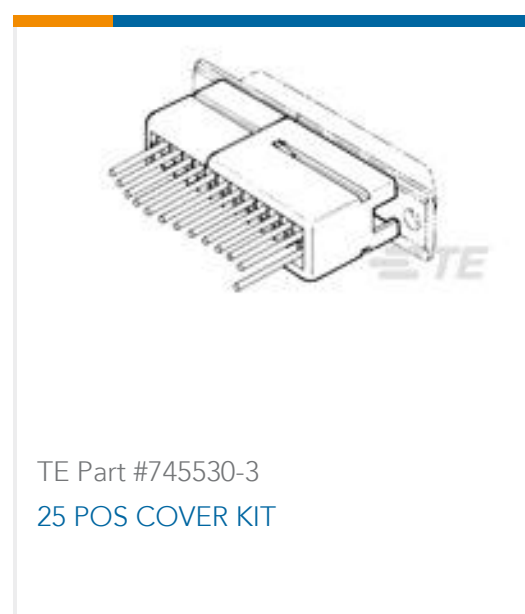
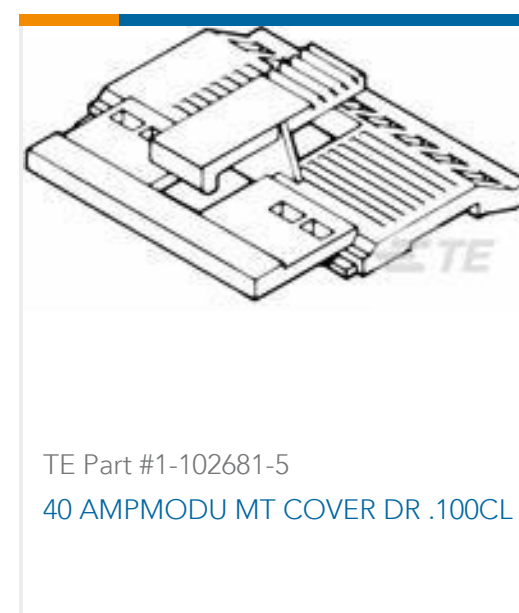
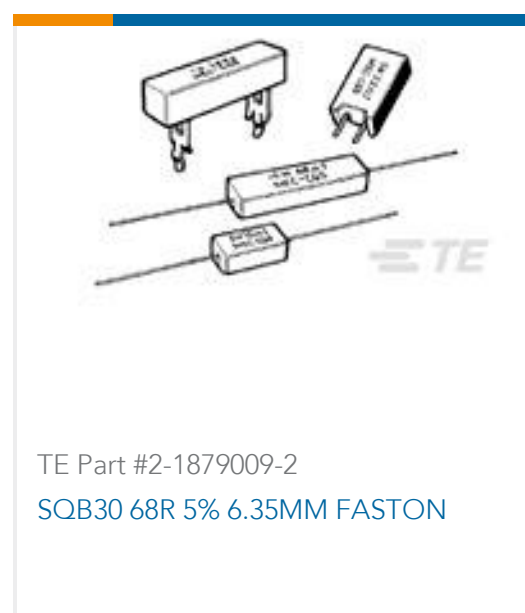
Compatible Parts

| | | | |
|---|--|---|--|
|  <p>TE Part # CAT-AM74-UN384H AMP-LATCH UNIVERSAL HEADERS</p> |  <p>TE Part # 499252-9 014 STRAIN RELIEF A-L RCPT</p> |  <p>TE Part # 5103309-2 A/L LOW PRO HDR 14P VERT BLACK</p> |  <p>TE Part # 5103310-2 A/L LOW PRO HDR 14P RA BLACK</p> |
|  <p>TE Part # 1-111446-5 14 UNIV I/O, NO EARS, LEAD FREE</p> |  <p>TE Part # 5103308-2 A/L LOW PRO HDR 14P VERT BLACK</p> |  <p>TE Part # 5103311-2 A/L LOW PRO HDR 14P RA BLACK</p> |  <p>TE Part # 5104338-2 A/L LOW PRO HDR 14P VERT HT</p> |
|  <p>TE Part # 1-111492-6 014 UNIV I/O 30DP NO EARS LTCH</p> |  <p>TE Part # 1-111504-5 014 UNIV I/O 30DP NO EARS LTCH</p> |  <p>TE Part # 5104340-2 A/L LOW PRO HDR 14P RA HT</p> |  <p>TE Part # 768340-1 UNIV HAND TOOL KIT AMPLATCH</p> |

Also in the Series | AMP-LATCH - NOVO

| | |
|--|---|
|  <p>Ribbon Cable Connectors(46)</p> |  <p>Ribbon Connector Accessories(10)</p> |
|--|---|

Customers Also Bought



Documents

Product Drawings

[014 NOVO DUAL 30DP FT](#)

English

CAD Files

Customer View Model

[ENG_CVM_CVM_1658624-2_D.2d_dxf.zip](#)

English

[3D PDF](#)

3D

Customer View Model

[ENG_CVM_CVM_1658624-2_D.3d_igs.zip](#)

English

Customer View Model

[ENG_CVM_CVM_1658624-2_D.3d_stp.zip](#)

English

By downloading the CAD file I accept and agree to the [Terms and Conditions](#) of use.

Datasheets & Catalog Pages

[Ribbon Cable Interconnect Solutions](#)

English

Product Specifications

[Application Specification](#)

English

Instruction Sheets

[Instruction Sheet \(U.S.\)](#)



English

[Agency Approvals](#)

[Agency Approval Document](#)

English