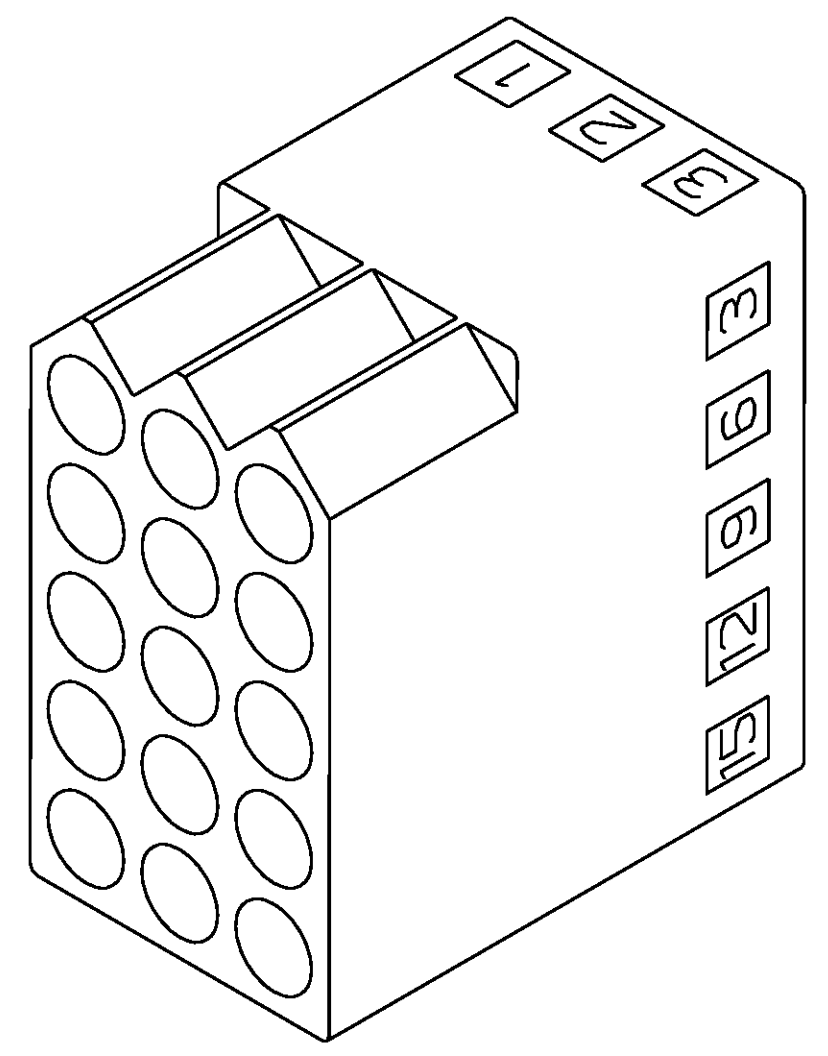
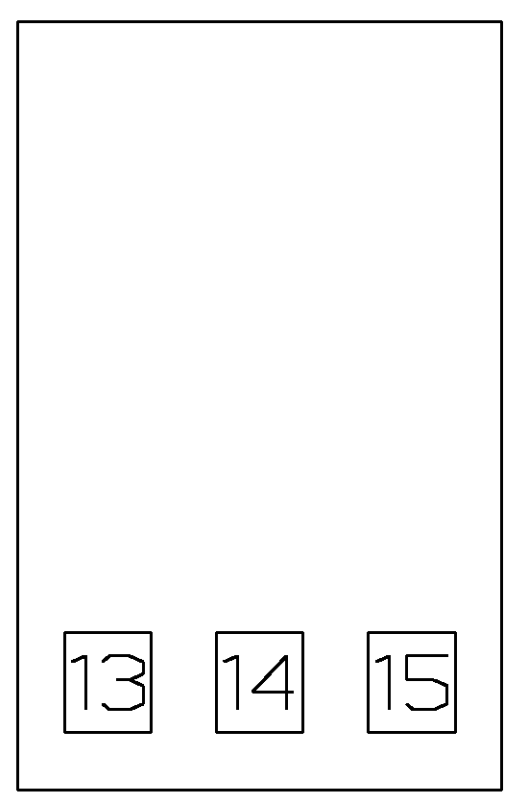
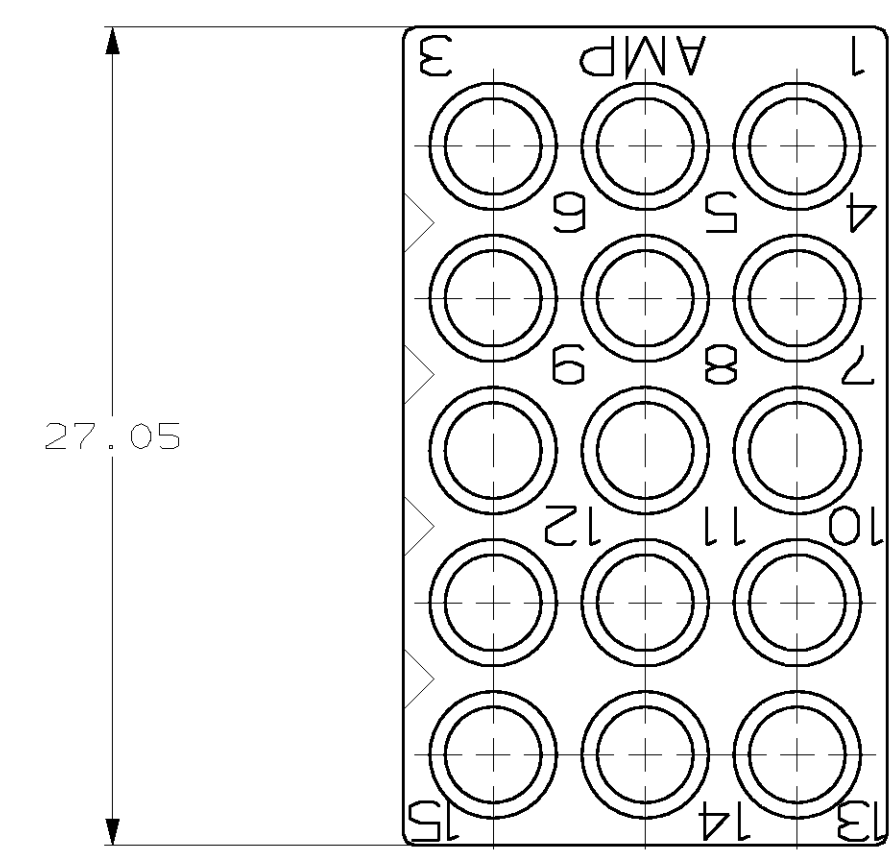
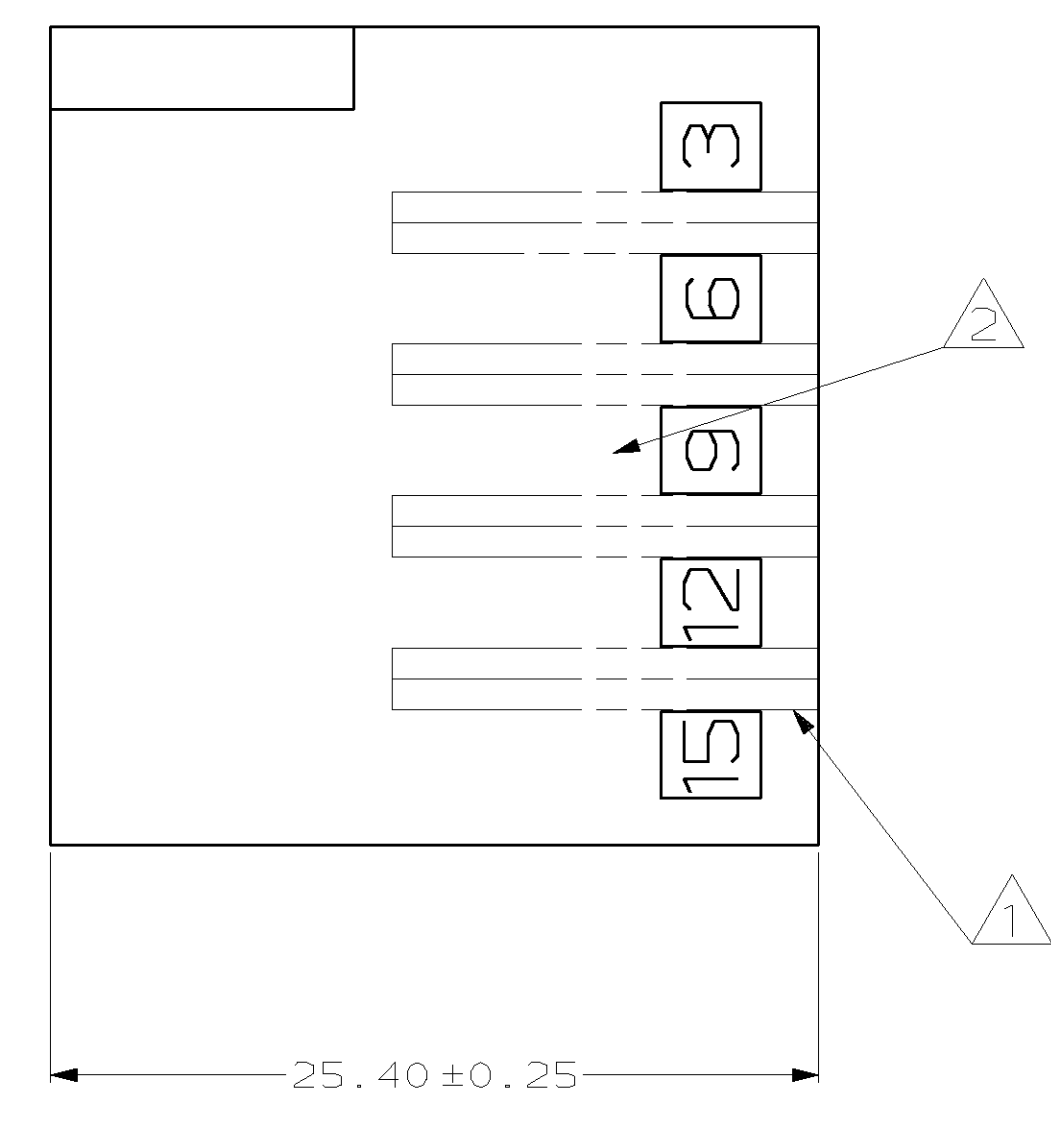
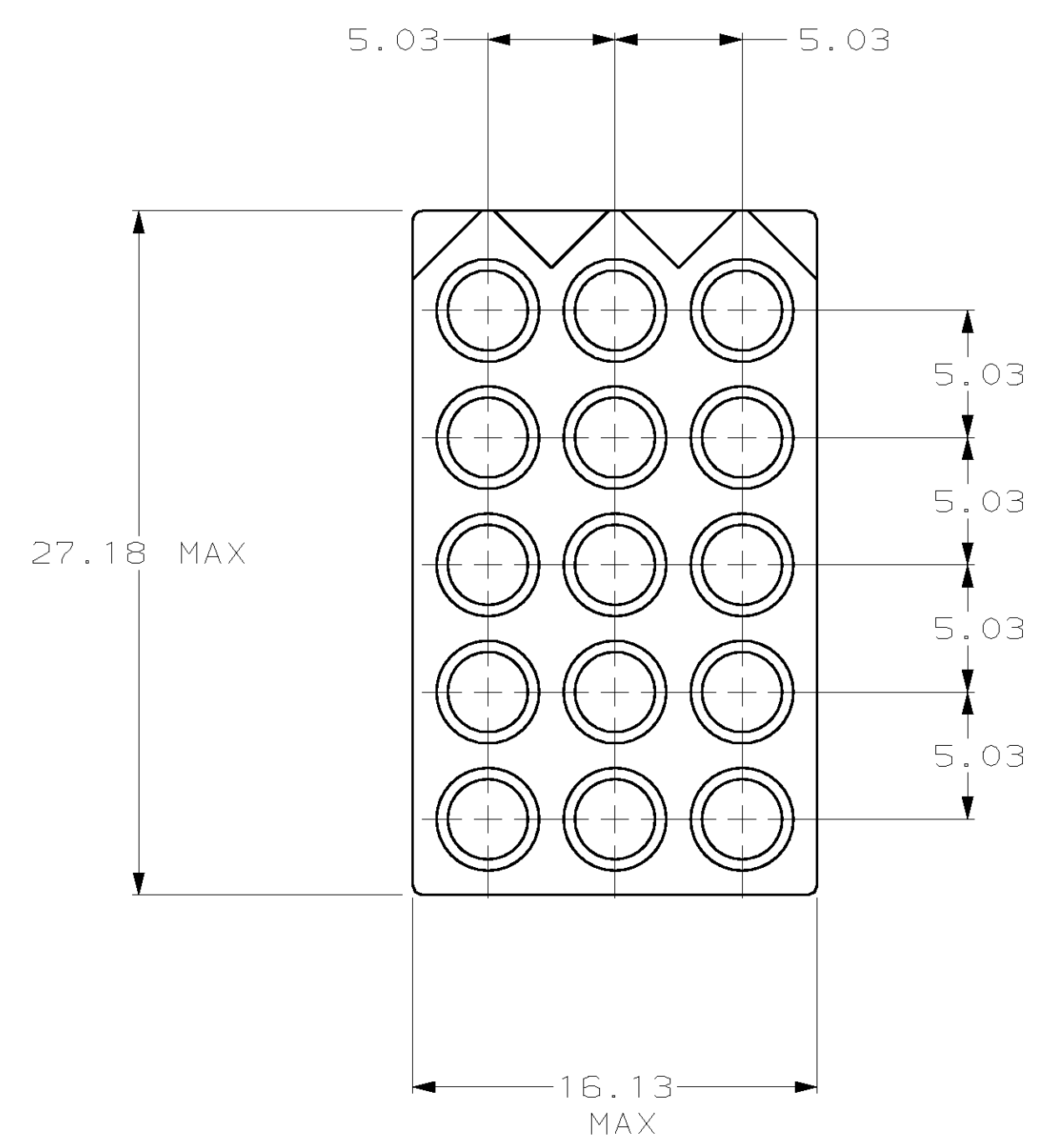
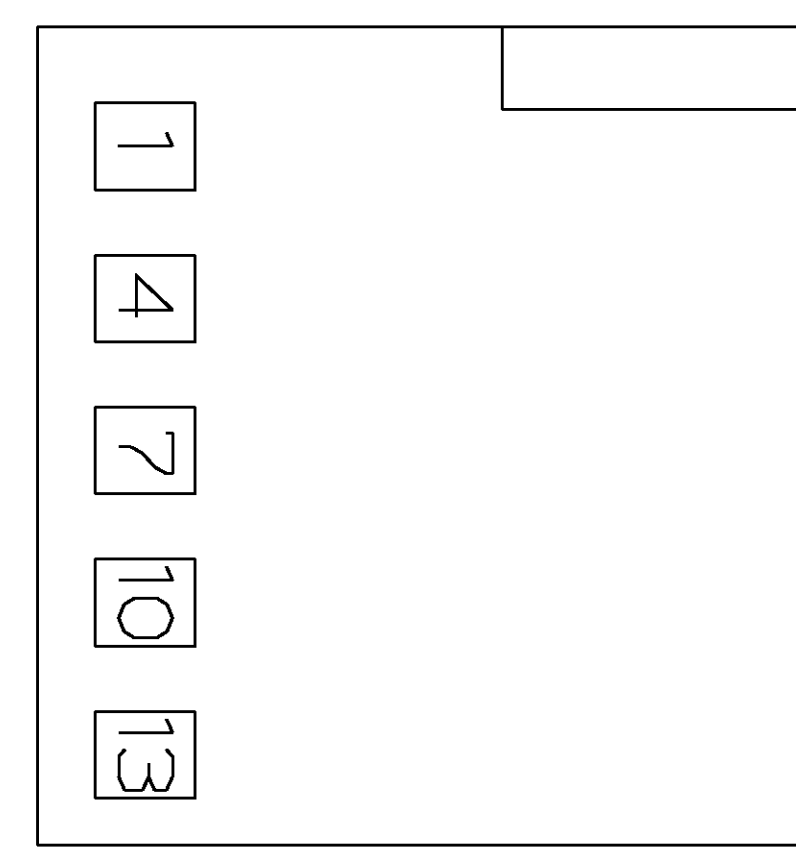
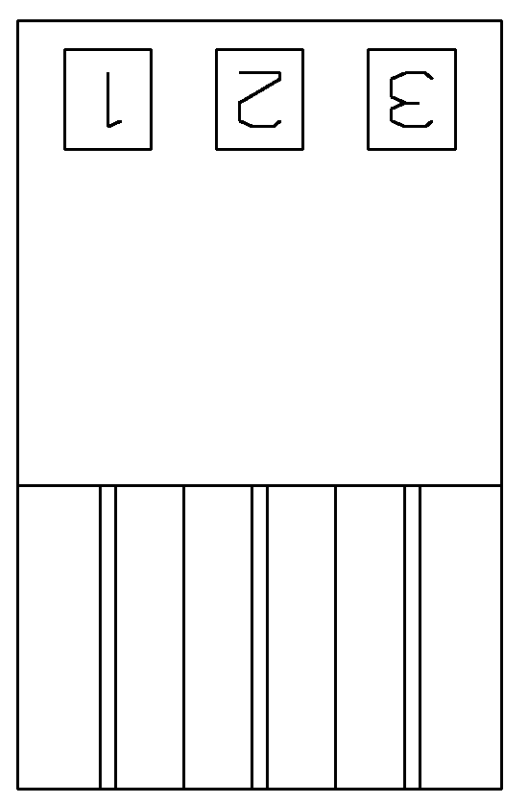


OPTIONAL CONSTRUCTION.  
 MARKING FOR UL LOGO AND CSA LOGO LOCATED APPROXIMATELY AS SHOWN.



3-DIMENSIONAL MODEL  
 NTS

27.18	1.070
27.05	1.065
25.40	1.000
16.13	.635
5.03	.198
2.36	.093
0.25	.010
0.13	.005
MM	IN

CONVERSION TABLE

**METRIC**

770105-1  
 PART NUMBER

THIS DRAWING IS A CONTROLLED DOCUMENT.		DWN K. WHITAKER 04-JUN-1999	AMP Incorporated Harrisburg, PA 17105-3608
DIMENSIONS:		CHK: J. SCHLUNZ 04-JUN-1999	
TOLERANCES UNLESS OTHERWISE SPECIFIED:		APV: J. SCHLUNZ 04-JUN-1999	NAME RECEPTACLE, 15 CIRCUIT, .093 COMMERCIAL PIN AND SOCKET
0 PLC ±-	1 PLC ±-	PRODUCT SPEC	RESTRICTED TO
2 PLC ±0.13	3 PLC ±-	APPLICATION SPEC	SIZE CAGE CODE DRAWING NO
4 PLC ±-	ANGLES ±-	HEIGHT	A100779 770105
MATERIAL NYLON, JL 94V-2, NATURAL	FINISH -	CUSTOMER DRAWING	SCALE 4:1 SHEET 1 OF 1 REV G