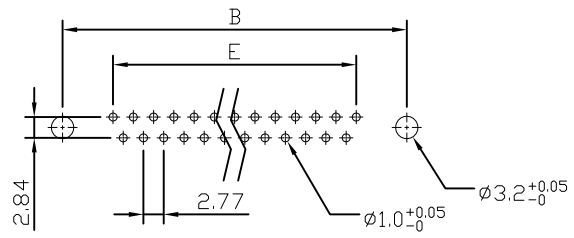
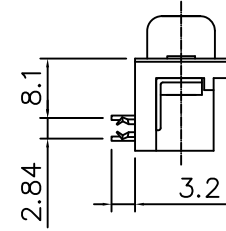
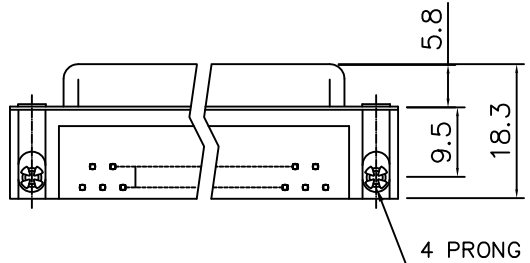
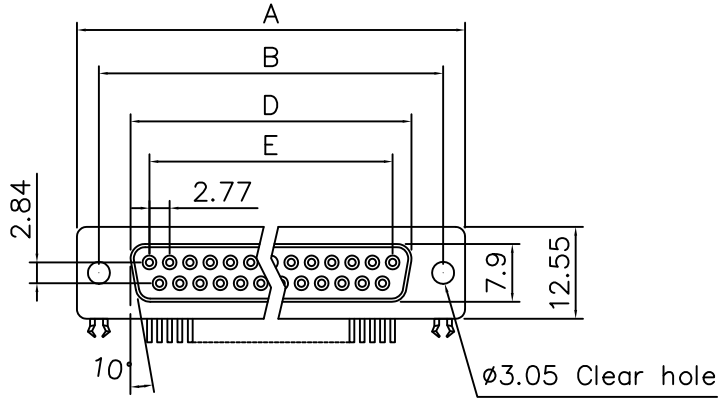


This document is the property of Amphenol Corporation and is delivered on the express condition that it is not to be disclosed, reproduced or used, in whole or in part, for manufacture or sale by anyone other than Amphenol Corporation without its prior consent, & that no right is granted to disclose or to use any information in this document.

Customer Drawing



RECOMMENDED P.C.B. LAYOUT
TOLERANCE: ±0.05MM



Dimensions

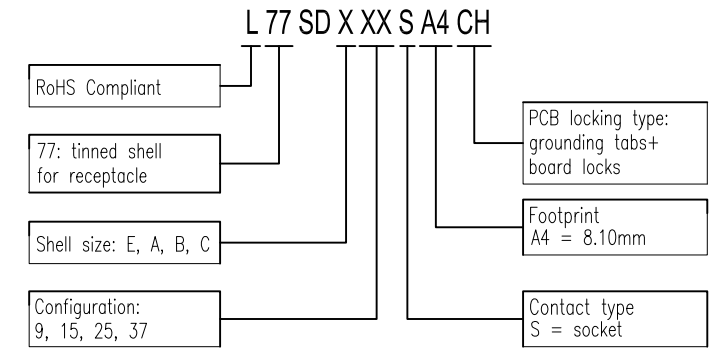
Positions	A	B	D	E
9	30.81	24.99	16.33	11.08
15	39.20	33.30	24.70	19.39
25	53.05	47.04	38.40	33.24
37	69.40	63.50	54.80	49.86

REVISIONS				
SYM	ECN	DESCRIPTION	DATE	APPROVED
1	HK--	First Release Drawing	12/15/16	IP

D-SUB TECHNICAL DATA

SHELL : Steel, 100u" Tin Over 50u" min nickel over 50u" min Copper
 BODY : Glass-Filled Thermoplastic PBT, UL94V-0, Color Black
 CONTACTS : Copper Alloy
 Gold flash over 50u" min nickel on mating area.
 100u" min tin over 50u" min nickel on solder area.
 BOARDLOCK: Brass, Tin plated.
 RIVET: Copper alloy, Nickel plated.
 ELECTRICAL : Voltage rating 250 V Rms Max.
 Current rating 3A.
 Withstanding Voltage >1000 V Rms
 Insulation resistance >1000 M Ohms
 Contact resistance 20 mOhms max.
 MARKING : Amphenol...(Series No.)
 Commercial reference
 Manufacturing date

PRODUCT CODE



UNLESS OTHERWISE SPECIFIED TOLERANCES	APPROVAL		DATE
	U.S.	METRIC	
.X +/-	0.50		DRAWN <i>Felix Liu</i> 12/16/16
.XX +/-	0.30		CHECKED <i>Tony Tang</i> 12/16/16
.XXX +/-	0.20		CHECKED
FRACTIONS +/-		5'	
ANGLES +/-			
FOR MATERIALS AND FINISHES SEE NOTES	DRAWING FILE :		
REMOVE SHARP EDGES	ANGLE OF PROJECTION		
DIMENSIONS			
U.S. INCHES			
METRIC MM			

Amphenol		
TITLE D-SUB connector, SD Series		
SIZE	DRAWING NO.	REV.
A4	L77SDXXXSA4CH	1
SCALE	NONE	SHEET 1 OF 1