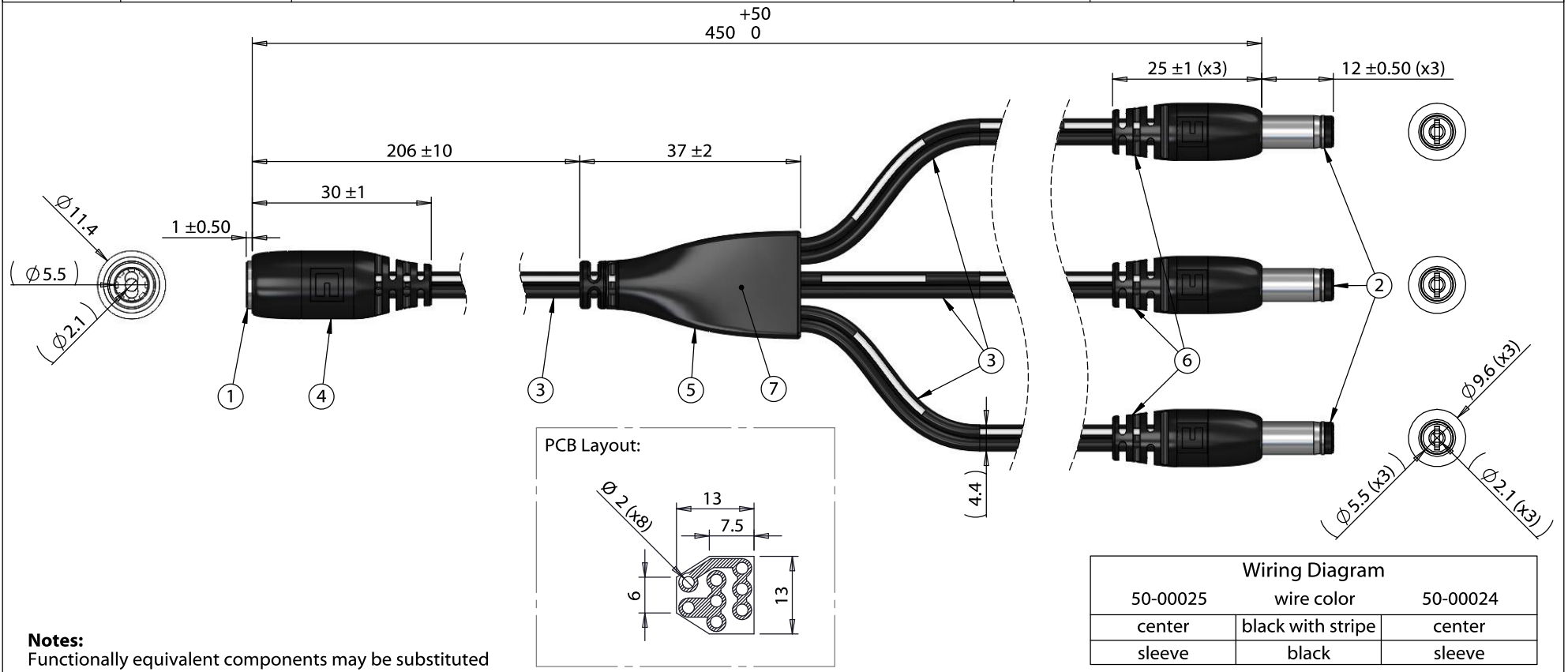


| ITEM NO. | PART NUMBER | DESCRIPTION | QTY. | COMPONENT NOTES |
|----------|-------------|--|------|-----------------|
| 1 | 50-00025 | Connector, dc jack, 5.5x2.1xL17.4 mm, molding style | 1 | |
| 2 | 50-00024 | Connector, dc plug, 5.5x2.1xL23 mm, molding style, spring contacts | 3 | |
| 3 | 30-00007 | Wire, 2C BC, 18 AWG, UL2468, 300V, 80C, 4.4 mm, VW-1, PVC, 87A | 4 | |
| 4 | 24-00004 | Overmold, PVC | 1 | black |
| 5 | 24-00186 | Overmold, splitter, Ø 8.0 mm by 10.0x18.0 mm | 1 | black |
| 6 | 24-00003 | Overmold, PVC | 3 | black |
| 7 | PCB | Splitter PCB, FR4, two-layer, tin, 13.0x13.0x1.6 mm | 1 | |



Notes:
Functionally equivalent components may be substituted

| | | | | | |
|-------------|-----------------|------------------------------|--|---|---|
| Revision: A | Date: 4/10/2018 | Description: Initial release | Prepared: JP Digitally signed by JP Date: 2018.04.11 11:32:14 -07'00' | Notes: RoHS compliant | TENSILITY tel 1.541.323.3228 800 877.670.7118 fax 1.541.323.4202 web tensility.com |
| | | | Verified: AW Digitally signed by AW Date: 2018.04.11 15:09:08 -07'00' | Function test: no open, no short circuit, no intermittent | |
| | | | Dimensions are in millimeters. Tolerances: X: ± 0.5 mm X.X: ± 0.3 mm X.XX: ± 0.05 mm | Description: Cable, 450 mm, 5.5x2.1 mm 50-00025 dc jack to y-split to 3x 5.5x2.1x12 mm 50-00024 dc plug, 18 AWG | Size: A Part number: 10-02738 |
| | | | | | Scale: 1:1 Sheet 1 of 1 |

5 4 3 2 1

To see a custom version of this cable assembly, call Tensility at 541-323-3228 or email engineering@tensility.com