

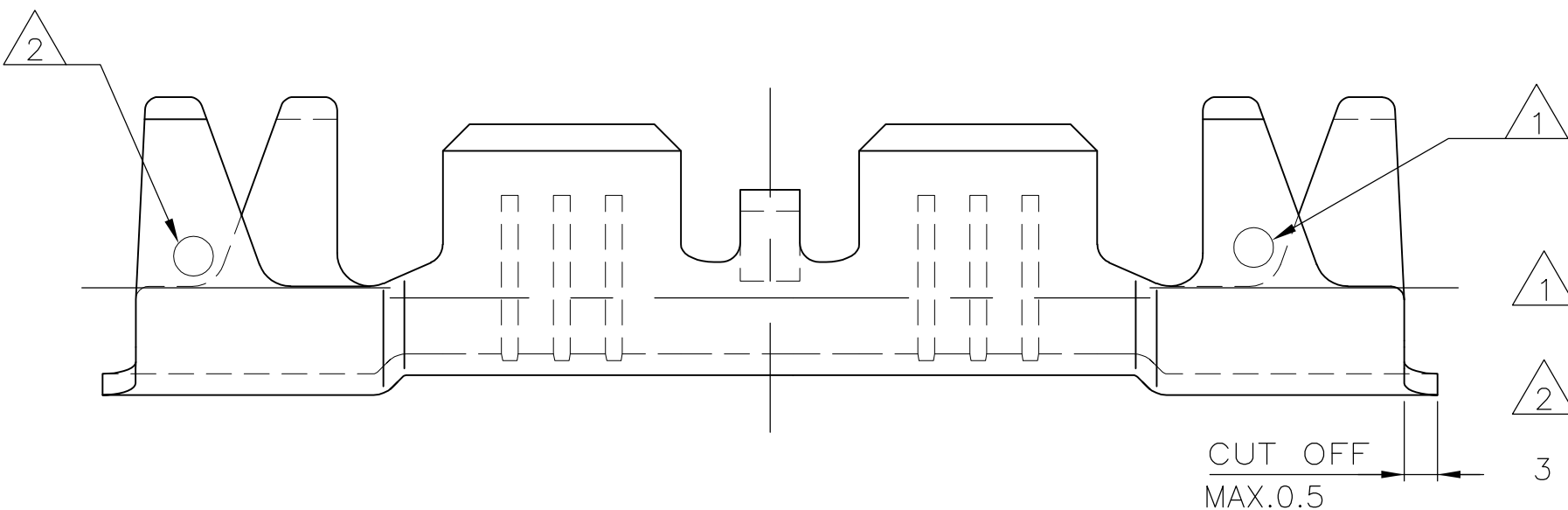
THIS DRAWING IS UNPUBLISHED.

RELEASED FOR PUBLICATION

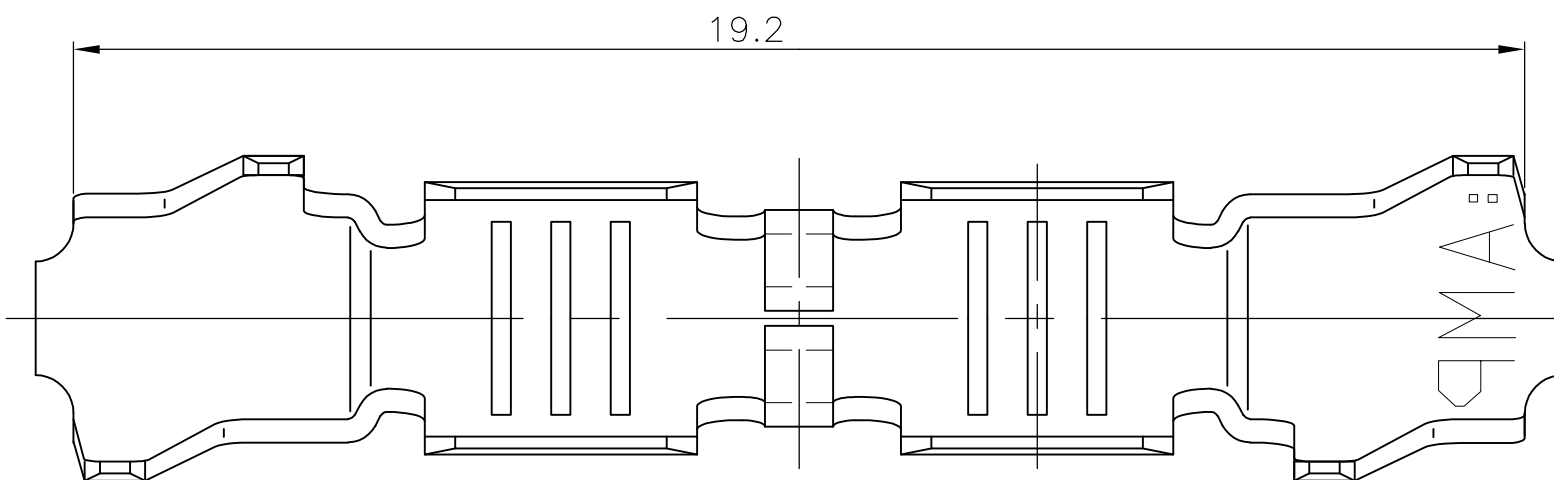
© COPYRIGHT - By -

ALL RIGHTS RESERVED.

LOC	DIST	REVISIONS			
P	LTR	DESCRIPTION	DATE	DWN	APVD
A1	-	A1	NEW CD CREATED USING PD	08DEC2014	NK LP



- 1 REVISION INDEX EXCHANGEABLE, CORRESPONDING TO ACTUAL REV. NUMBER (LETTERS ONLY)
- 2 DIE IDENTIFICATION NUMBER.
- 3 MISSING DIMENSION AND NOTES SEE 968042.



PER-TIN-PLATED 1-3	963922-1
FINISH	PART NO

THIS DRAWING IS A CONTROLLED DOCUMENT.		DWN	08DEC2014	<b>TE Connectivity</b>	
		CHK	08DEC2014		
		APVD	08DEC2014		
		NAME			
DIMENSIONS: mm 		TOLERANCES UNLESS OTHERWISE SPECIFIED: Din 6930-f 0 PLC ± - 1 PLC ± - 2 PLC ± - 3 PLC ± - 4 PLC ± - ANGLES ± -		PRODUCT SPEC - APPLICATION SPEC - WEIGHT -	
MATERIAL		FINISH		BUTT SPLICE, LOOSE PIECE SIZE CAGE CODE DRAWING NO RESTRICTED TO A3 00779 C-963922 -	
CUSTOMER DRAWING				SCALE	10:1
				SHEET	1 OF 1
				REV	A1