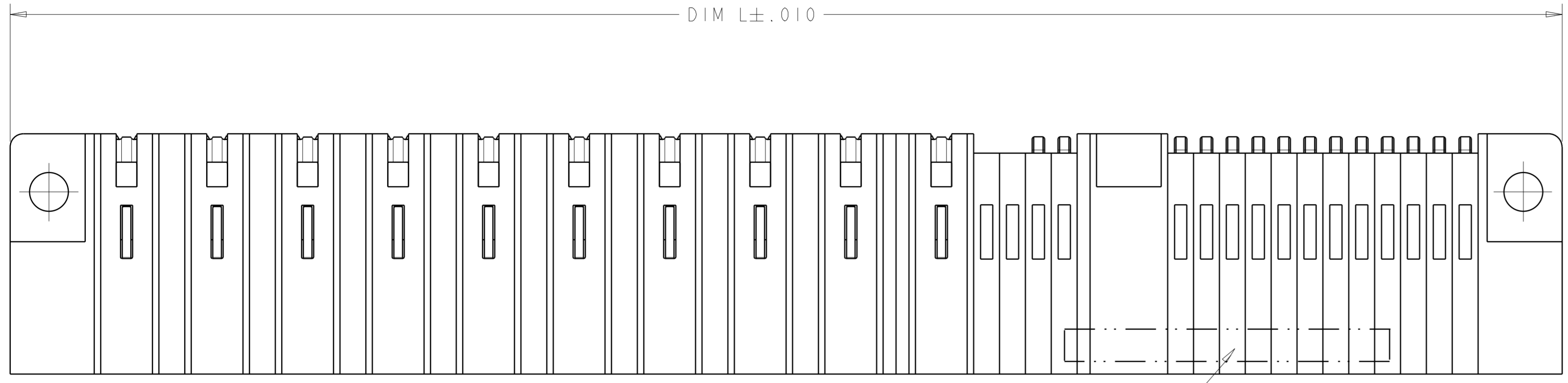
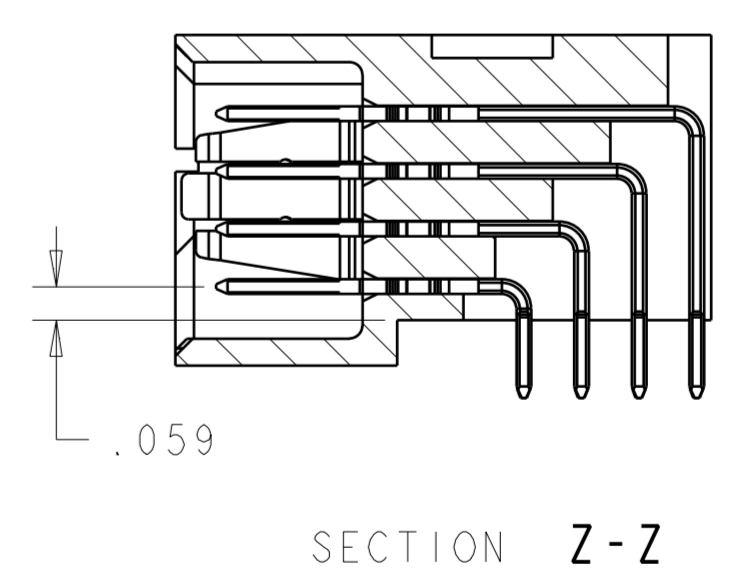
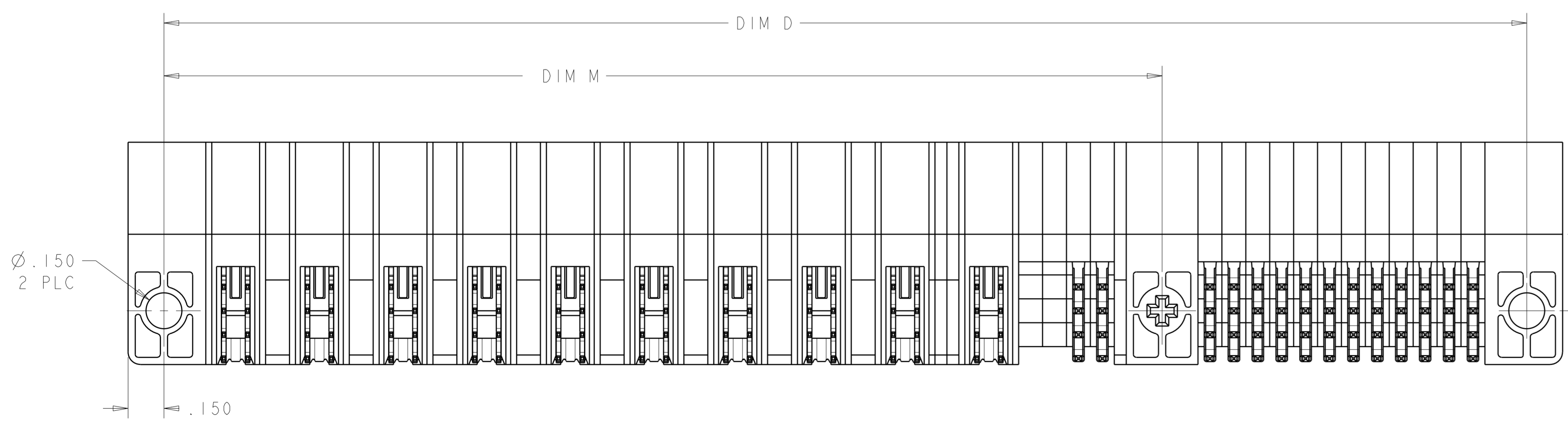
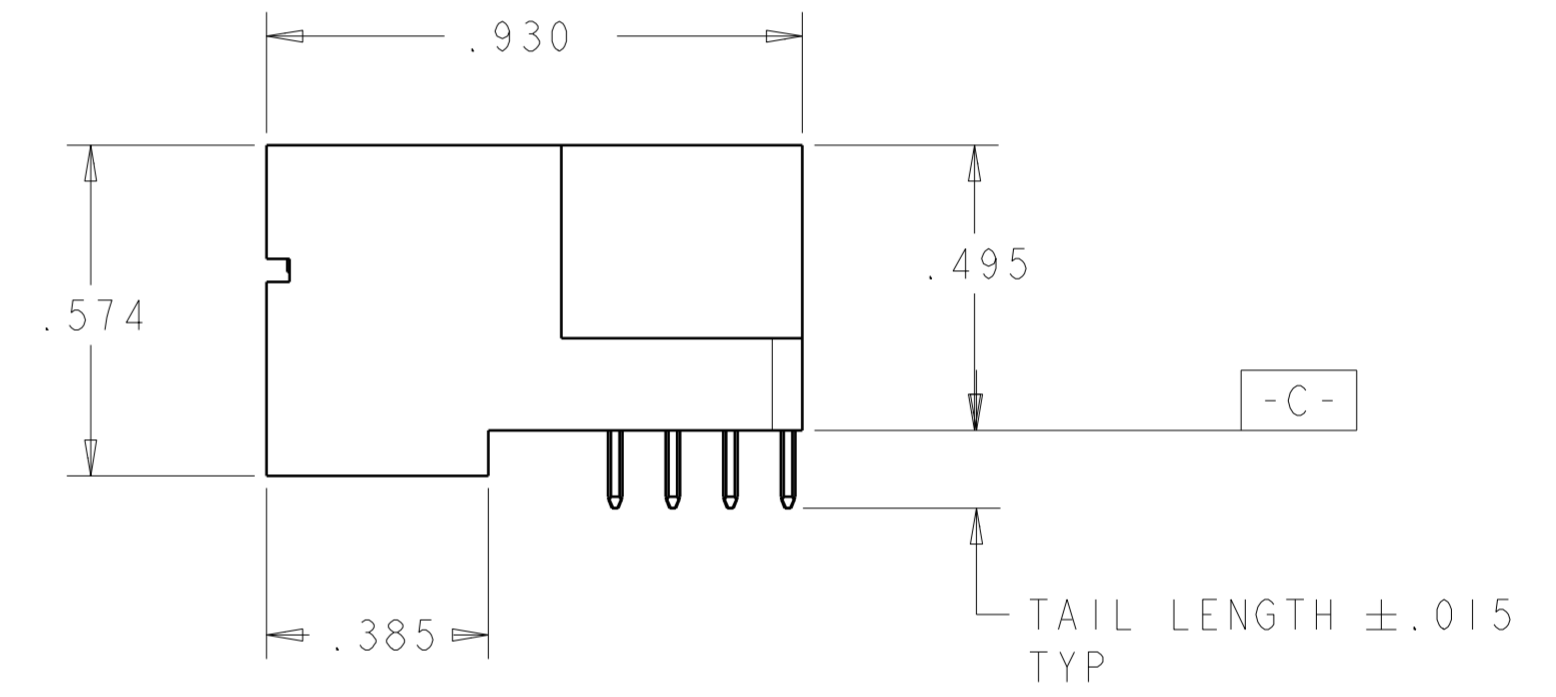
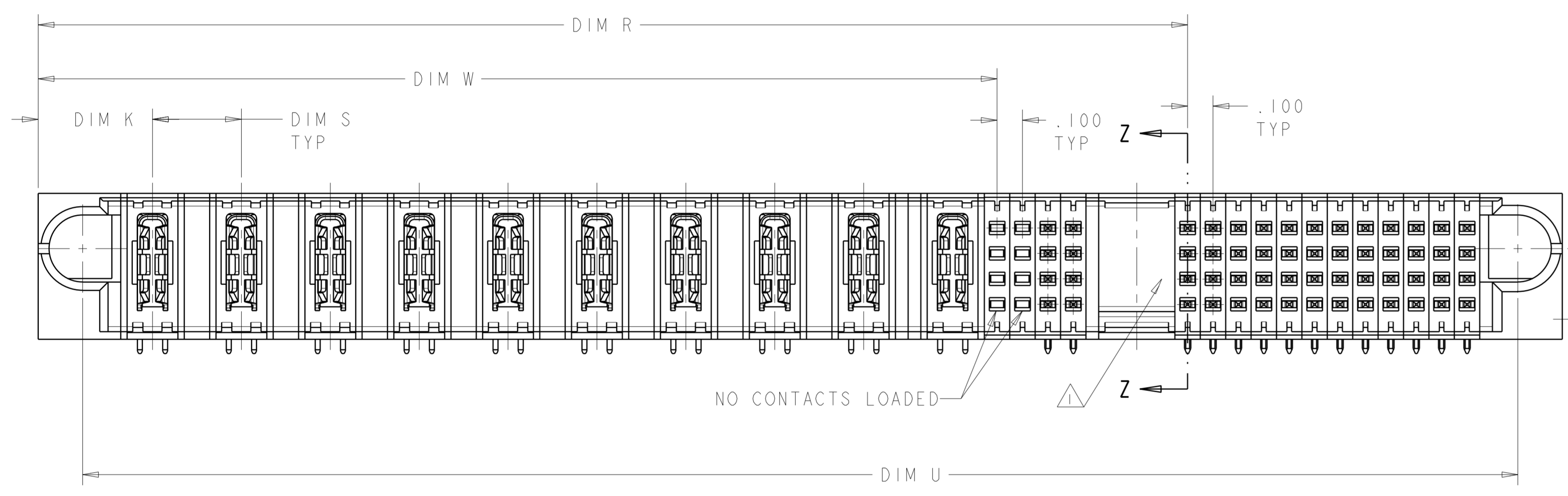


LOC	DIST	REVISIONS			
P	LTR	DESCRIPTION	DATE	DWN	APVD
A		PRELIMINARY RELEASE	18AUG2006	CZ	SY



- 1 OPTIONAL CENTER MODULE WITH Ø.150 THRU HOLE OR HOLD DOWN FEATURE.
- 2 "AMP", PART NUMBER, AND DATE CODE TO BE MARKED IN AREA SHOWN.
- 3 MATERIAL: HOUSING - GLASS FILLED HIGH TEMP THERMO PLASTIC, UL94 V-0  
 SIGNAL CONTACT - COPPER ALLOY  
 POWER CONTACT - HIGH CONDUCTIVITY COPPER ALLOY
- 4 CONTACT PLATING: SIGNAL CONTACTS - .000050 MIN Ni UNDER ALL.  
 .000030 MIN Au ON CONTACT AREA.  
 .000100 MIN Sn AT PCB INTERFACE.  
 POWER CONTACTS - .000050 MIN Ni UNDER ALL.  
 .000030 MIN Au ON CONTACT AREA.  
 .000100 MIN Sn AT PCB INTERFACE.
- 5 MECHANICAL CONNECTOR KEEP OUT ZONE.
- 6 DATUM AND BASIC DIMENSIONS ESTABLISHED BY CUSTOMER.
- 7 PCB - ALL HOLE DIAMETERS ARE FINISHED HOLE SIZES.
- 8 PCB - .0453 +/- .0010 DRILLED HOLES PLATED WITH .0003 MIN Sn OVER .001 TO .003 PLATING TO ACHIEVE A .040 DIA. HOLE.



5.650	.350	4.525	3.775	5.700	4.175	2.250	.450	10ACP + 64S	1892122-1
DIM U	DIM S	DIM R	DIM W	DIM D	DIM M	DIM L	DIM K	DESCRIPTION	PART NUMBER

DIMENSIONS: INCHES 		TOLERANCES UNLESS OTHERWISE SPECIFIED: 0 PLC ± 1 PLC ±.01 2 PLC ±.01 3 PLC ±.005 4 PLC ±.0020 ANGLES ±.0°		DWN CECILY ZHOU CHK S ZHAO APVD S YAO DATE 18AUG2006 NAME PRODUCT SPEC 108-1973 APPLICATION SPEC 114-13038 WEIGHT CUSTOMER DRAWING		18AUG2006 18AUG2006 18AUG2006 AMP Tyco Electronics incorporated Shanghai, P.R.China, 200233 RIGHT ANGLE HEADER ASSEMBLY WITH GUIDES MULTI-BEAM XL SIZE 114-13038 SCALE 4:1 SHEET 1 OF 2 REV A	
---------------------------	--	---	--	--	--	--	--

