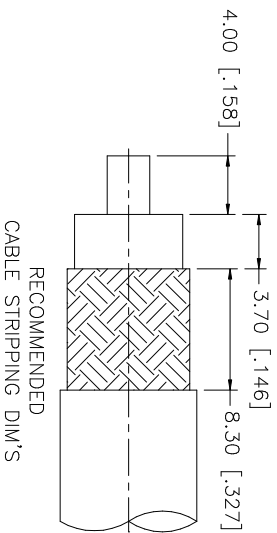
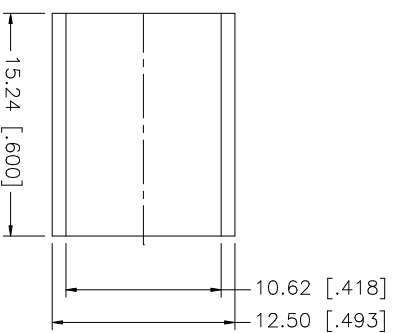
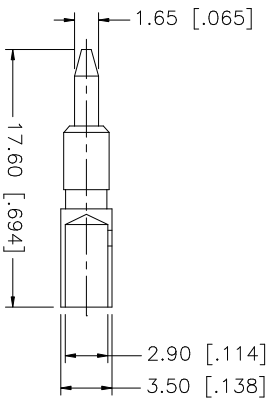
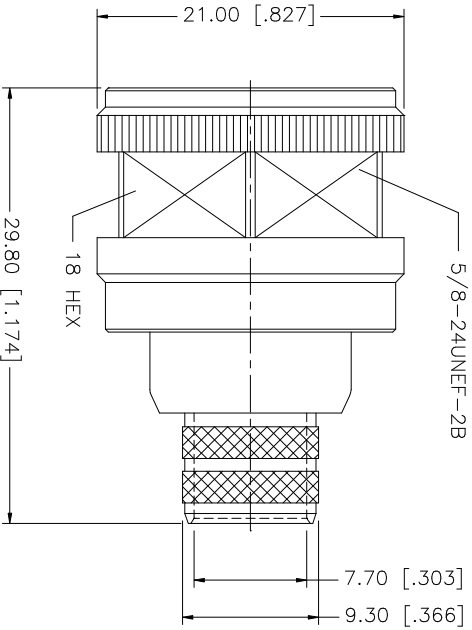


REV.	DATE	DESCRIPTION
NC	03/31/05	INITIAL RELEASE
A	02/23/06	MODIFY FERRULE DIAMETERS



- NOTE:
1. CRIMPED FERRULE
HEX CRIMP SIZE .429"
 2. CRIMPED CONTACT PI
HEX CRIMP SIZE .118"

QTY	DESCRIPTION	MATERIAL	FINISH	DO NOT SCALE DRAWING	CAD FILE	DWG. NO.	REV.	SIZE	SCALE
1	FERRULE	COPPER	NEXCOTE			172102H243-11.DWG	A	A	NA
1	CONTACT PIN	BRASS	15U" GOLD						
1	RETAINER RING	SUS 304	NATURAL						
1	GASKET	SILICONE	RED						
1	INSULATOR	TEFLON	NATURAL						
1	SHELL/BODY	BRASS	NEXCOTE						

Amphenol Connex

N CRIMP PLUG - FOR LMR 400,
(FOR LMR400, B9913 CABLE)

172102H243-11

UNLESS OTHERWISE SPECIFIED DIMENSIONS ARE IN MILLIMETERS. DIMENSIONS IN [] ARE IN INCHES AND FOR CUSTOMER REFERENCE ONLY.
UNLESS OTHERWISE SPECIFIED TOLERANCES FOR MILLIMETERS ARE:
0.5 - 8mm ± 0.20mm
8 - 30mm ± 0.40mm
30 - 120mm ± 0.50mm
UNLESS OTHERWISE SPECIFIED TOLERANCES FOR INCHES ARE:
.020 - .315 = ± 0.007"
.315 - 1.180 = ± 0.015"
1.180 - 4.724 = ± 0.020"

APPROVALS	DATE
DRAWN G.R.S.	02/23/06
CHECKED	
ISSUED	
SHEET 1 OF 1	

PART DESCRIPTION	PART NO.
N CRIMP PLUG - FOR LMR 400, (FOR LMR400, B9913 CABLE)	172102H243-11