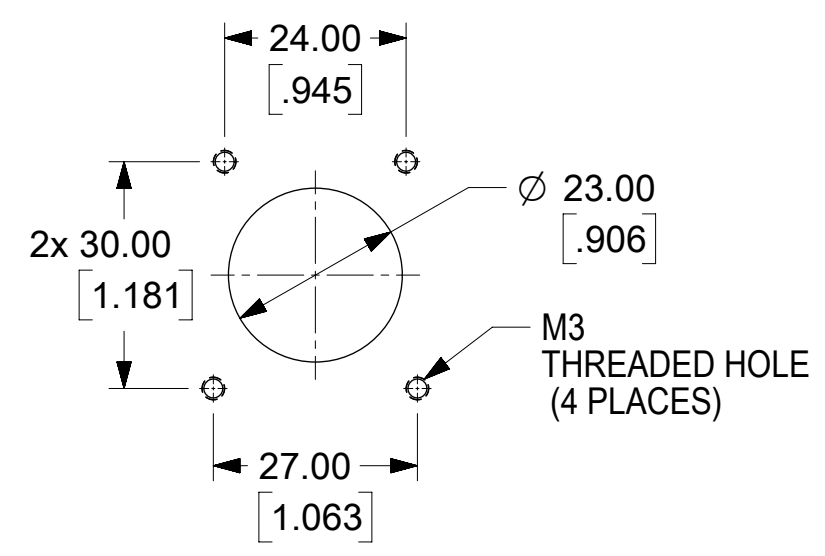
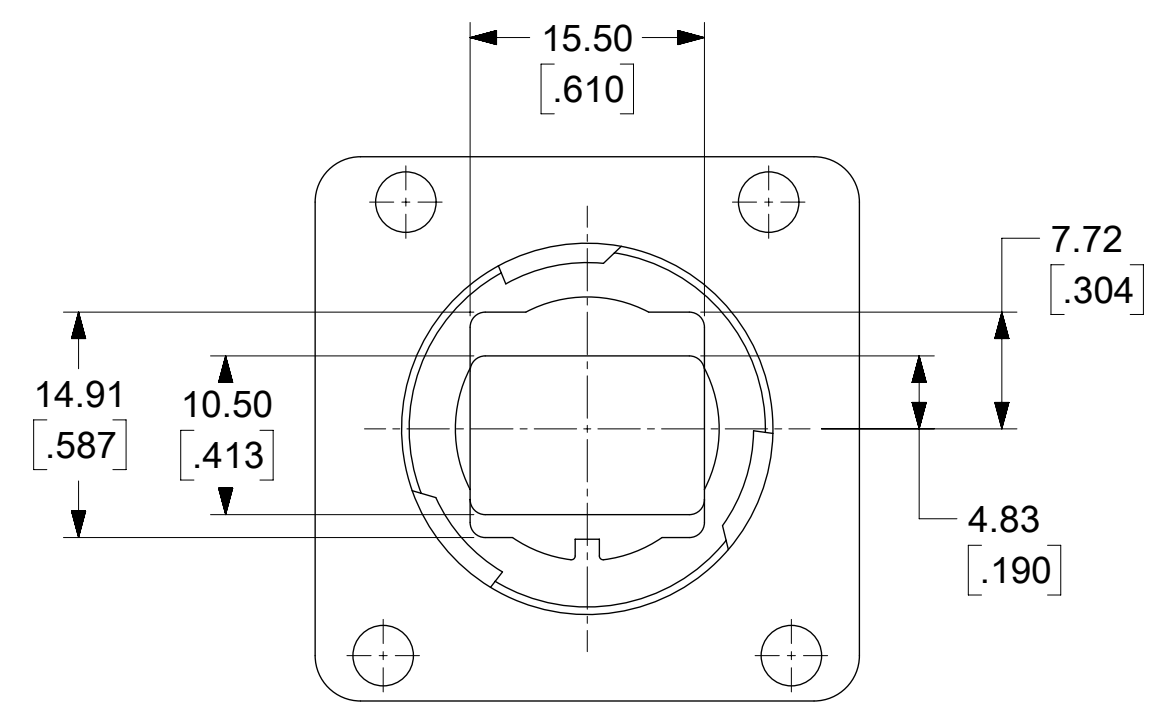
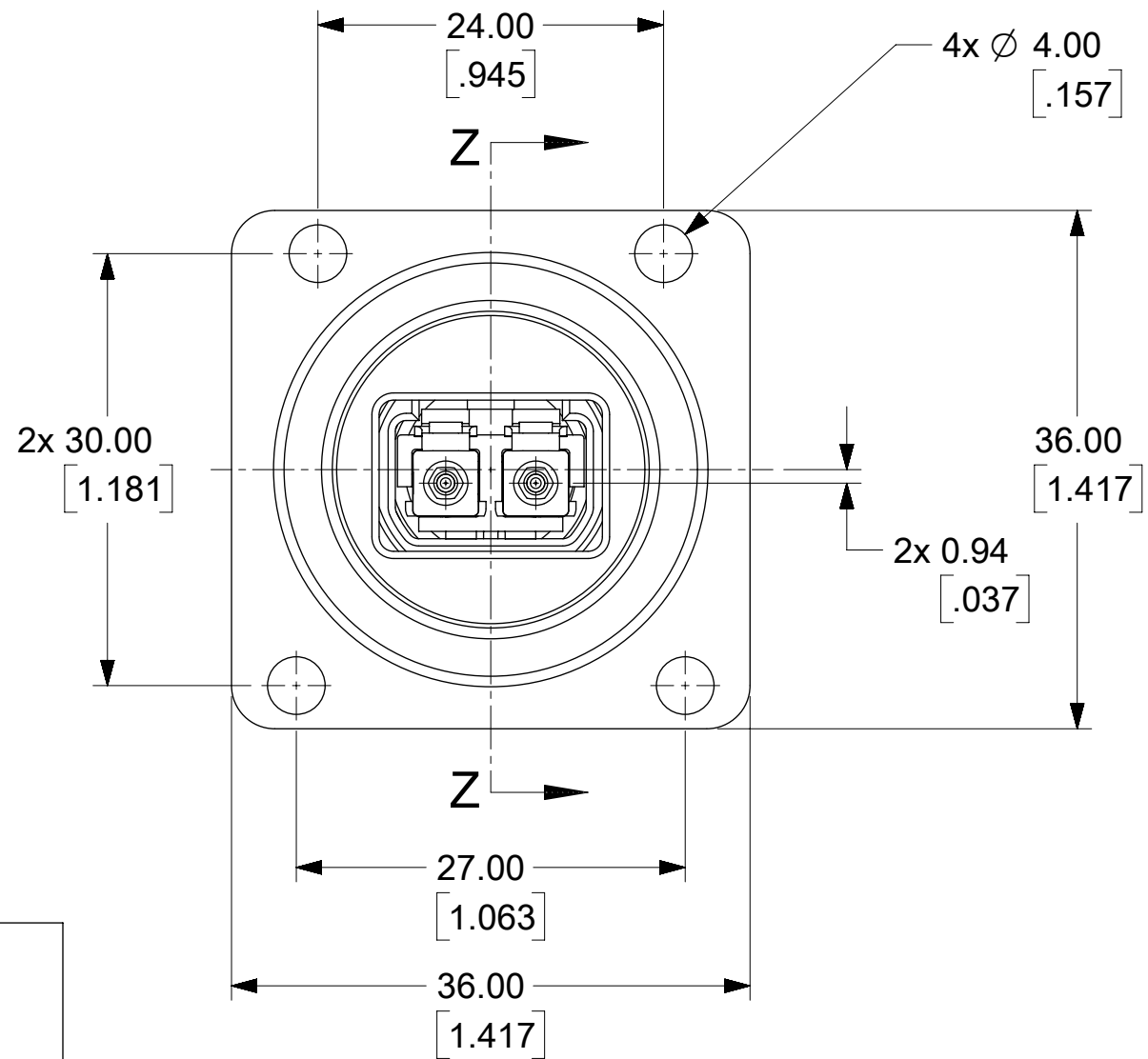


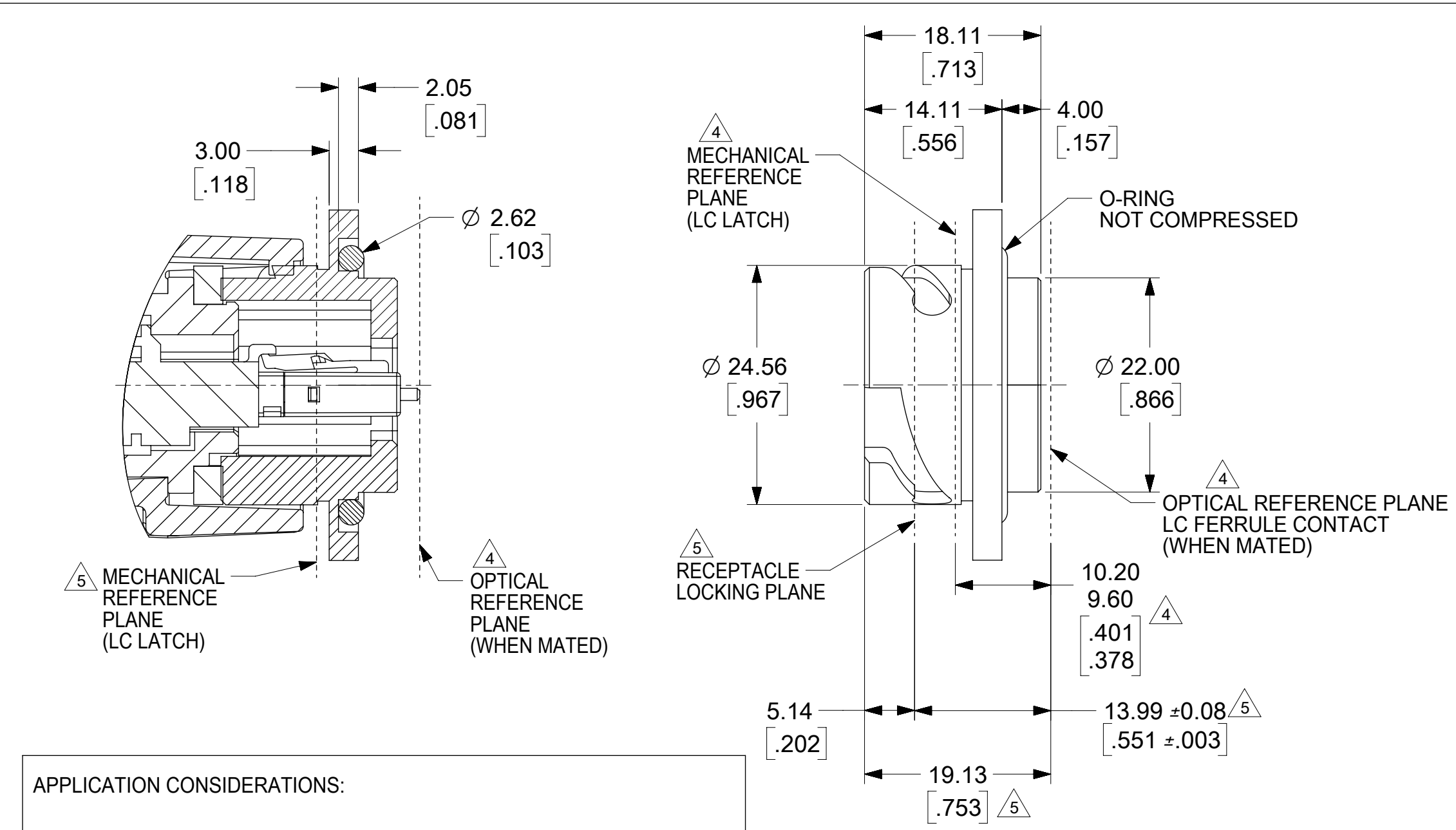
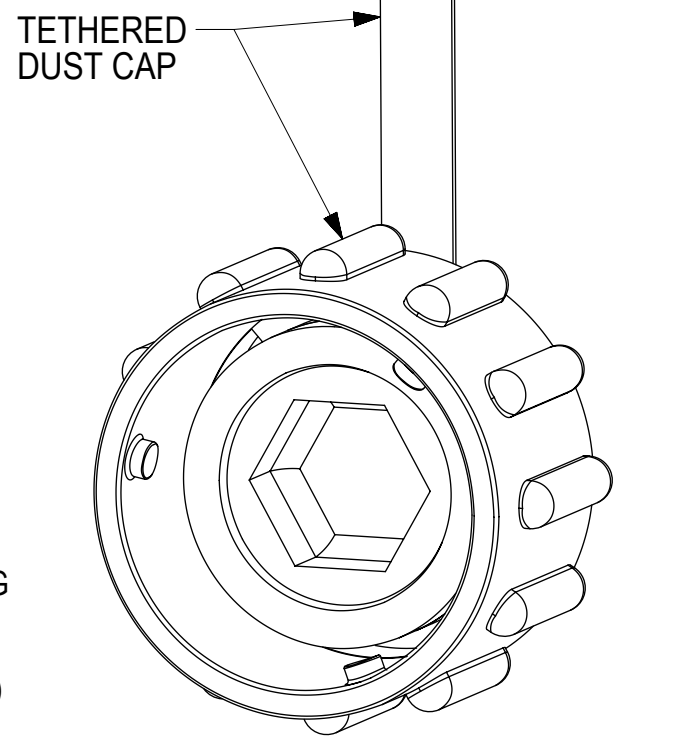
PART NUMBER	DUST CAP COLOR
1065018004	BLACK
1065018005	WHITE



RECOMENDED MOUNTING CUTOUT  
Scale 1:1



REPRESENTATIVE TRANSCEIVER SHOWN FOR REFERENCE THIS VIEW ONLY



NOTES:

- ALL DIMENSIONS ARE FOR REFERENCE ONLY.
- MATERIALS-  
 ADAPTER HOUSING: ZINC ALLOY WITH ELECTROLESS NICKEL PLATING  
 O-RING: ETHYLENE-PROPYLENE  
 TETHER: BLACK - POLYETHYLENE (PE); WHITE - POLYPROPYLENE (PP)  
 DUST CAP: POLYBUTYLENE TEREPHTHALATE (PBT)  
 DUST CAP SEAL: SILICONE RUBBER  
 DUST CAP SCREW: NICKEL PLATED BRASS
- REFERENCE OR DIMENSION PER IEC-61754-20
- REFERENCE OR DIMENSION PER ODVA STANDARD
- SEE APPLICATION CONSIDERATIONS FOR CRITERIA ON PROPER USE.

APPLICATION CONSIDERATIONS:

- THE RECEPTACLE WILL HOLD AN ODVA COMPLIANT CONNECTOR IN THE LOCATION AS SHOWN.
- THE OPTICAL AND MECHANICAL (LC LATCH) REFERENCE PLANES OF THE TRANSCEIVER MUST BE SET AT THE LOCATIONS SHOWN AS RELATED TO THE RECEPTACLE LOCKING PLANE.
- THE SFP CAGE SETS THE LOCATION OF THE TRANSCEIVER, BUT TRANSCEIVER INTERFACE DIMENSIONS DIFFER BY MANUFACTURER.
- USER MUST REFER TO SFP CAGE AND TRANSCEIVER MANUFACTURER DATASHEETS FOR DIMENSIONS TO PROPERLY LOCATE THE OPTICAL AND MECHANICAL (LC LATCH) REFERENCE PLANES.

QUALITY SYMBOLS	THIS DRAWING CONTAINS INFORMATION THAT IS PROPRIETARY TO MOLEX ELECTRONIC TECHNOLOGIES, LLC AND SHOULD NOT BE USED WITHOUT WRITTEN PERMISSION		DIMENSION UNITS	SCALE	<b>molex</b>	
▽ = 0	2017/08/07	2017/08/08	HYBRID	2:1		
▽ = 0	EC NO: 120383 DRWN: MAGHAYERE01 CHKD: IGLUMIN APP: IGLUMIN	REV: 001	GENERAL TOLERANCES (UNLESS SPECIFIED)		SIMPLIFIED SFP RECEPTACLE ASSY, ODVA	
▽ = 0			ANGULAR TOL ± °			
▽ = 0			4 PLACES ±	AECKHART		2014/12/18
▽ = 0			3 PLACES ±	CHKD BY		DATE
▽ = 0			2 PLACES ±	LSADAUSKAS		2015/01/12
▽ = 0	1 PLACE ±	APPR BY	DATE	PRODUCT CUSTOMER DRAWING		
▽ = 0	0 PLACES ±	WCHEN	2015/01/28	SERIES		
□ = 0	DRAFT WHERE APPLICABLE MUST REMAIN WITHIN DIMENSIONS		DRAWING SIZE	THIRD ANGLE PROJECTION	MATERIAL NUMBER	
■ = 0	A2	C	C	106501	SEE TABLE	
▽ = 0				DOCUMENT NUMBER	CUSTOMER	
				SD-106501-8004	GENERAL MARKET	
				DOC TYPE	DOC PART SHEET NUMBER	
				PSD	001 1 OF 1	