

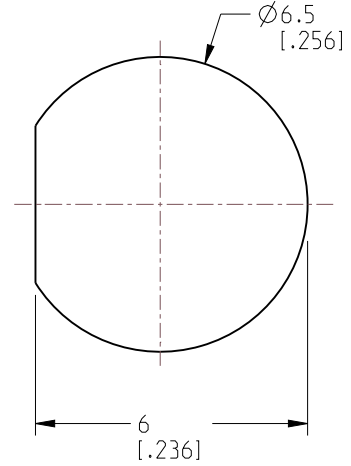
NOTES:

1. MATERIALS AND FINISHES:
 BODY - BRASS, GOLD PLATING
 CONTACT - BERYLLIUM COPPER, GOLD PLATING
 INSULATOR - PTFE, NATURAL
 LOCK WASHER & HEX NUT - STAINLESS STEEL, PASSIVATED
2. ELECTRICAL:
 A. IMPEDANCE: 50 OHM
 B. FREQUENCY RANGE: DC-26.5 GHz
 C. VSWR (RETURN LOSS): 1.15 MAX. DC - 12 GHz
 1.20 MAX. 12 - 18 GHz
 1.30 MAX. 18 - 26.5 GHz
 D. DIELECTRIC WITHSTANDING VOLTAGE: 1000 VRMS. MIN.
3. MECHANICAL:
 A. DURABILITY: 500 CYCLES MIN.
 B. TEMPERATURE RANGE: -65°C TO 165°C

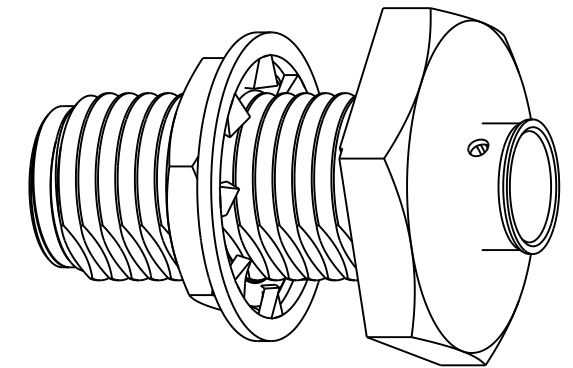
4. PACKAGING:
 A. QUANTITY: SINGLE PACK
 B. MARKING: PACKAGING TO BE MARKED
 "AMPHENOL RF, 901-10744, AND YYWW"
5. CABLE ASSEMBLY INSTRUCTIONS:
 A. TRIM CABLE AS SHOWN.
 B. INSERT CABLE CENTER CONDUCTOR INTO CONNECTOR
 AND SOLDER BODY TO THE OUTER CONDUCTOR.

6 SHOWS CABLE ENTRY DIMENSIONS.

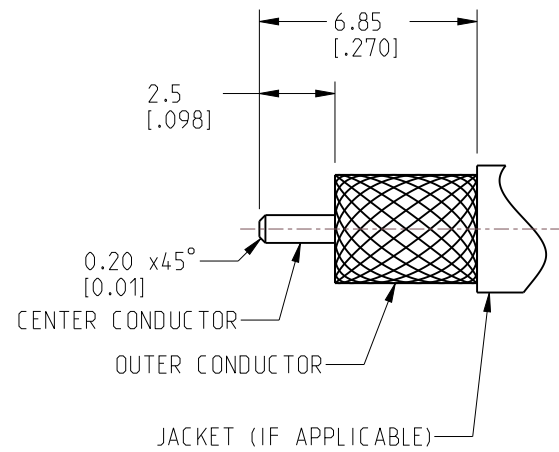
REVISIONS				
REV	DESCRIPTION	DATE	ECN	APPR
A	RELEASE TO MFG.	5-FEB-21	15747	SH



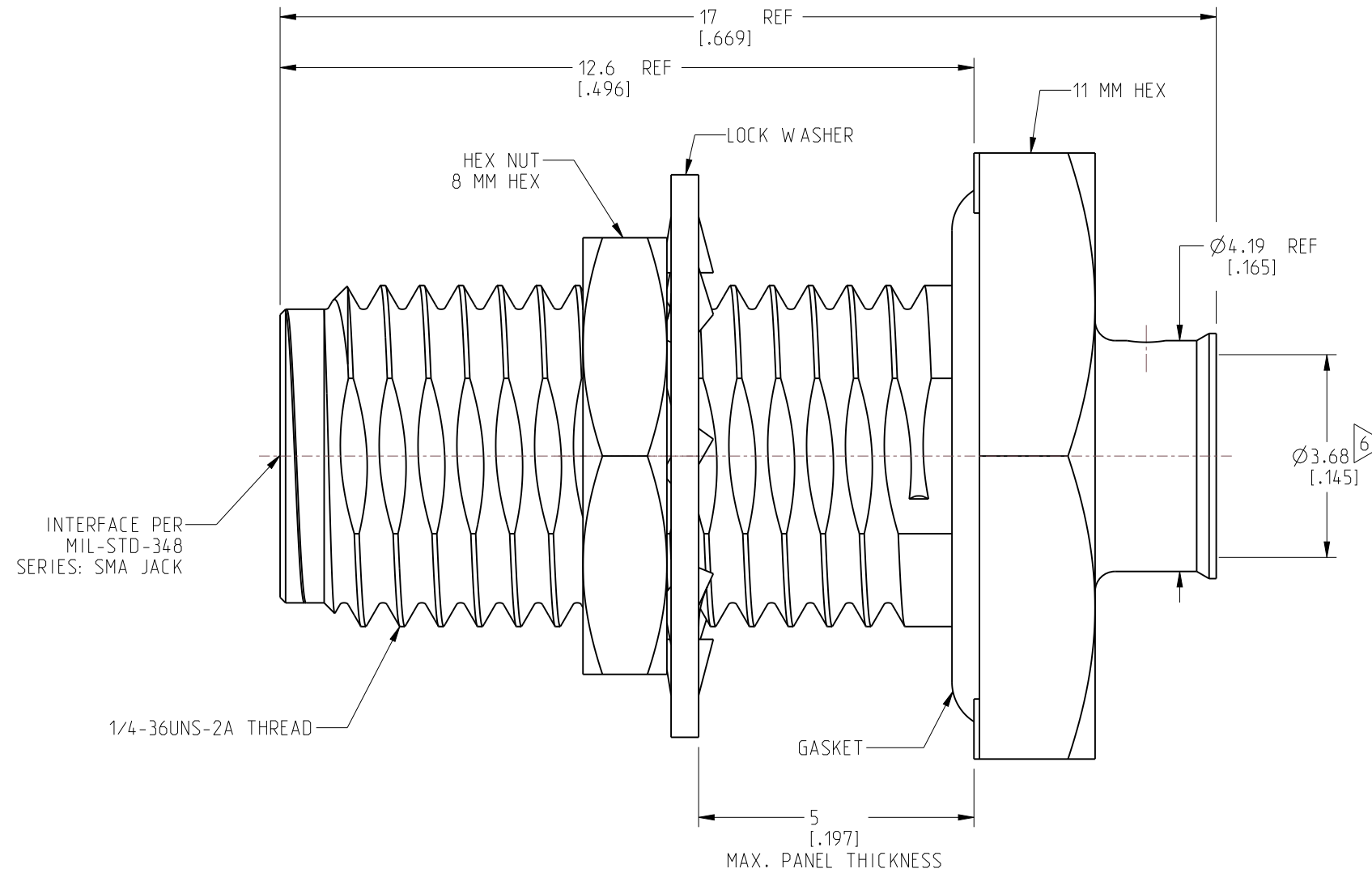
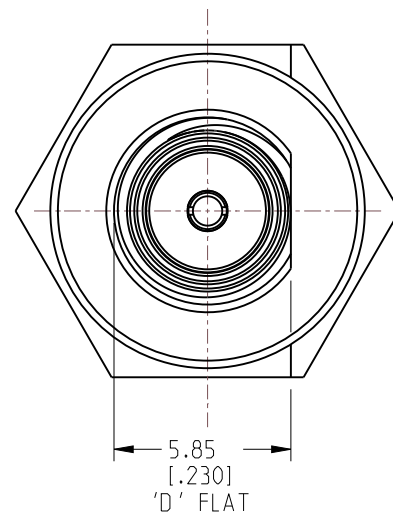
RECOMMENDED PANEL MOUNTING HOLE



SCALE 4.000



RECOMMENDED CABLE STRIPPING DIMENSIONS



CUSTOMER OUTLINE DRAWING

ALL OTHER SHEETS ARE FOR INTERNAL USE ONLY

NOTICE: These drawings, specifications, or other data (1) are, and remain the property of Amphenol corp. (2) must be returned upon request; and (3) are confidential and not to be disclosed to any person other than those to whom they are given by Amphenol Corp. The furnishing of these drawings, specifications, or other data by Amphenol Corp., or to any other person to anyone for any purpose is not to be regarded by implication or otherwise in any manner licensing, granting rights to permitting such holder or any other person to manufacture, use or sell any product, process or design, patented or otherwise, that may in any way be related to or disclosed by said drawings, specifications, or other data.

UNLESS OTHERWISE SPECIFIED DIMENSIONS ARE METRIC (INCHES) AND TOLERANCES ARE:
 <0.5mm = ±0.05mm [-0.020 = ±0.002]
 >0.5 - 6mm = ±0.1mm [0.020 - 0.236 = ±0.004]
 >6.00 - 30mm = ±0.2mm [0.236 - 1.181 = ±0.008]
 >30.00 - 120mm = ±0.3mm [1.181 - 4.725 = ±0.012]

MATERIAL
SEE NOTES

TITLE
SMA STR BHD JACK
FOR 0.141" CABLE, IP67
26.5 GHz

Amphenol RF		SIZE	DRAWING NO. 901-10744	REV A
			ITEM NO. 901-10744	
			PART NO. 901-10744	

THIRD ANGLE PROJ.	REFERENCE 901-10720	EAR# 10071
-------------------	------------------------	---------------

ENGINEER E.W.U	DATE 26-JAN-21
-------------------	-------------------

SHEET NO. 2 OF 2	SCALE: 9.0:1.0
------------------	----------------