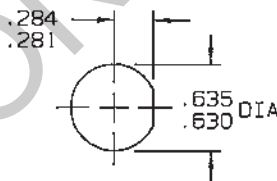
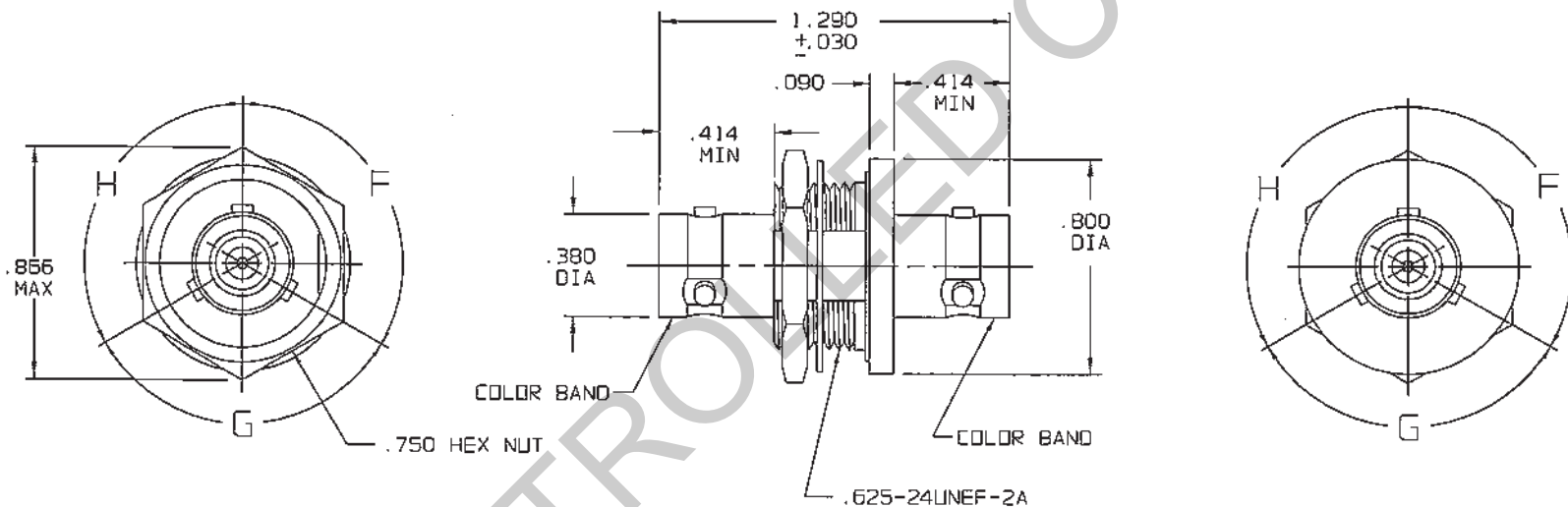


POLARIZATION CHART				
KEYING LETTER	F DEGREES	G DEGREES	H DEGREES	COLOR BAND
T	100°	150°	110°	RED
U	120°	130°	110°	ORANGE
V	115°	130°	115°	YELLOW
W	125°	110°	125°	GREEN
X	130°	100°	130°	BLUE
Y	110°	140°	110°	VIOLET
Z	100°	160°	100°	GRAY
S	135°	135°	90°	WHITE
NONE	120°	120°	120°	NONE

DATA CONTAINED IN THIS DOCUMENT IS PROPRIETARY TO TROMPETER ELECTRONICS INC. AND SHALL NOT BE DISCLOSED, COPIED OR USED FOR PROCUREMENT OR MANUFACTURE WITHOUT EXPRESS WRITTEN PERMISSION OF TROMPETER ELECTRONICS INC.

REVISIONS		3-0057	SH 1
REV	DESCRIPTION	DATE	APPROVED
G	REVISED PER ECO 14834	12-5-02	AAH

RED INDICATES ORIGINAL



5. EXAMPLE OF COMPLETE MODEL NO:
 BJ73 T
 BASIC MODEL NO. ————
 POLARIZATION LETTER ————

4. CONCENTRIC TWINAX/TRIAX 3-LUG BAYONET FEED THRU INSULATED BULKHEAD RECEPTACLE

3. MAX PNL THK .187

2. FINISH: TFS-1A (NICKEL)

1. ALL DIM ARE IN INCHES

RECOMMENDED
 PANEL CUTOUT
 SCALE: NONE

INTERPRET DRAWING PER MIL-STD-100 DIMENSIONS ARE IN INCHES AND INCLUDE FINISH THICKNESS UNLESS OTHERWISE SPECIFIED		TOL: UNLESS SPECIFIED .XX .XXX ± .005 .XXX ANGLES				
DRAWN: AAH CHECKED: DD QUANTITY: MN MADE: [Signature]	DATE: 12-2-02 12/4/02 5 DEC 02 12/5/02	MATERIAL:	FINISH:			TITLE: BJ73
APPROVED: [Signature] CAD FILE NO: 3-0057G	NEXT ASSY	DD NOT SCALE DWG	SIZE: A SCALE: NONE	EAGE CODE: 14949	DRAWING NO.: 3-0057 DATE: 2-5-81	REV.: G SHEET: 1C