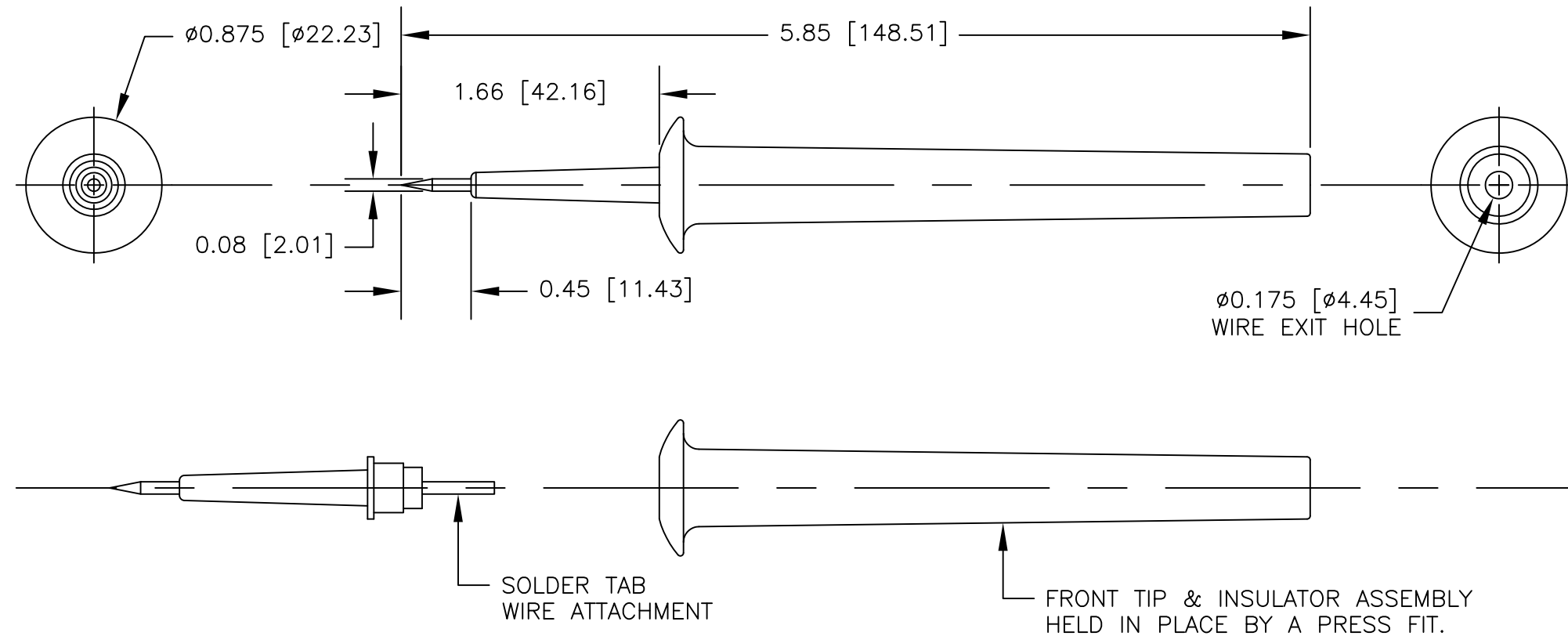


NOTES: UNLESS OTHERWISE SPECIFIED

1. CONSTRUCTION:
HOUSING: MOLDED NYLON. AVAILABLE IN BLACK,
RED, GREEN OR BLUE.
CONTACT TIP: NICKEL PLATED STEEL.
2. PERFORMANCE:
MAXIMUM CURRENT: 5 AMPS
MAXIMUM VOLTAGE: 1000 V
MAXIMUM TEMPERATURE: 200°F (93°C)

REVISIONS			
LTR	DESCRIPTION	DATE	APPROVED



		UNLESS OTHERWISE SPECIFIED DIMENSIONS ARE IN INCHES TOLERANCES ARE: FRACTIONS DECIMALS ANGLES ± .XX ± ± .XXX ±	CONTRACT NO.		E-Z-HOOK DIVISION OF TEKTEST INC. ARCADIA, CA 91006 U.S.A.	
			APPROVALS	DATE		
		MATERIAL SEE NOTE.	DRAWN	R.L.	3/15	
			APPROVED BY			
		FINISH SEE NOTE.			DESCRIPTION STD NEEDLE TIP PROBE	
NEXT ASSY	USED ON				SIZE	CODE IDENT NO.
APPLICATION		DO NOT SCALE DRAWING			DRAWING NO.	REV.
					B 08505	34
					SCALE	1:1
					SHEET 1 OF 1	