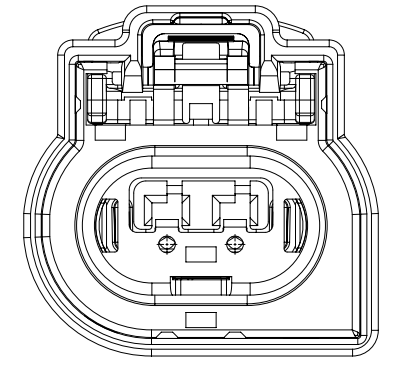
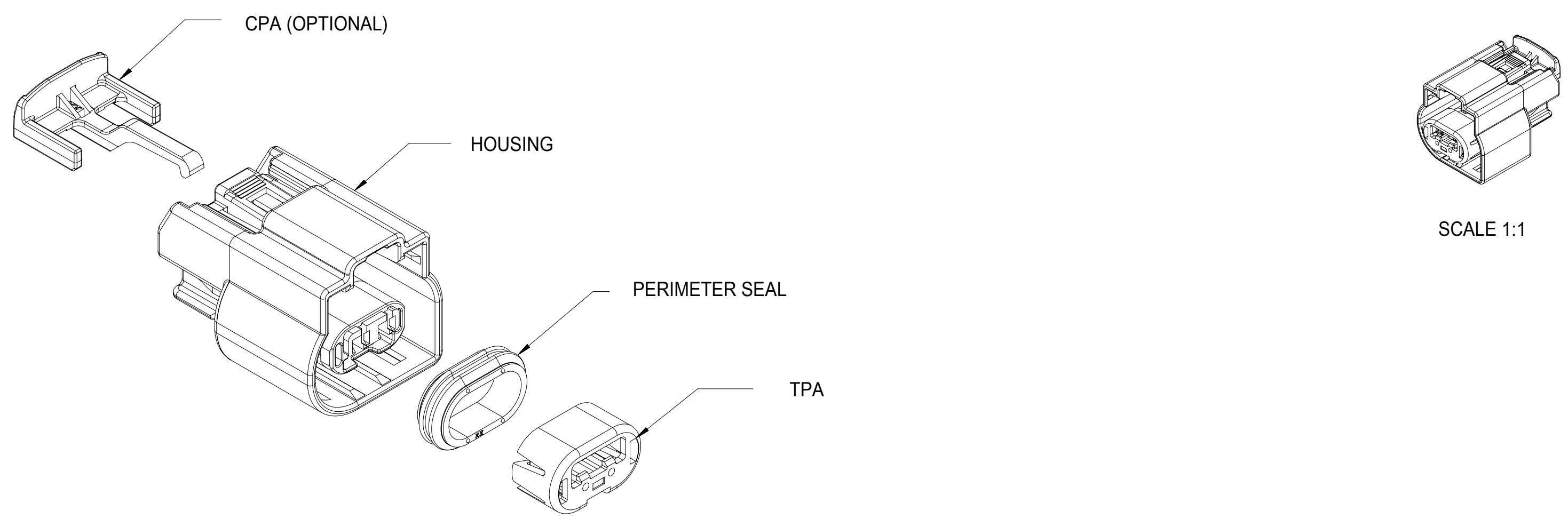
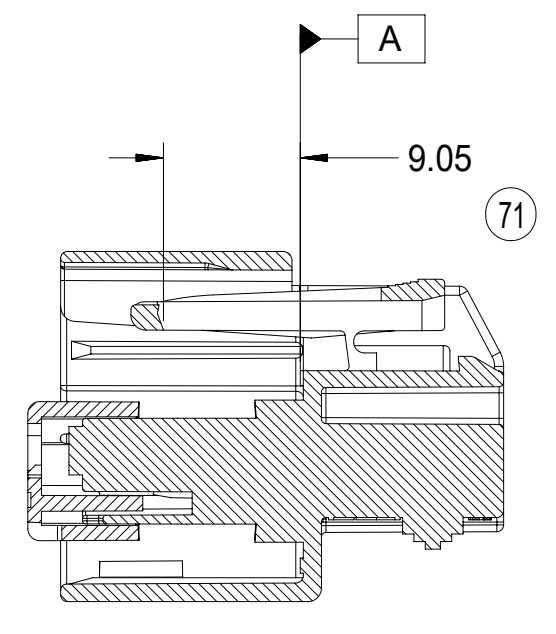
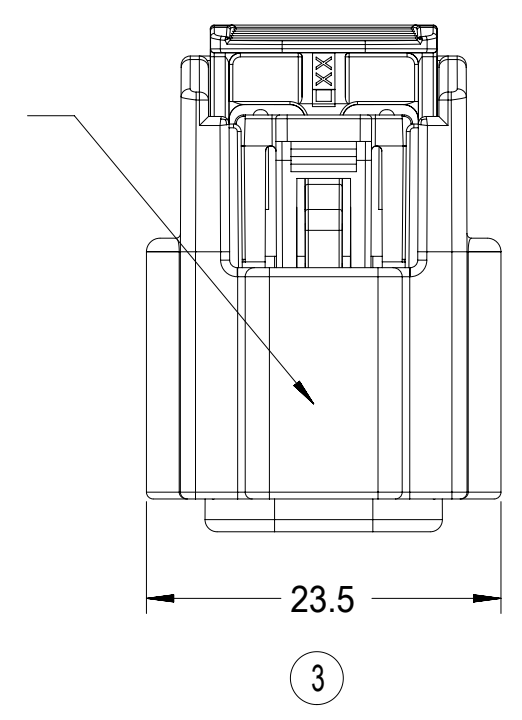


ASSEMBLY NUMBER	KEYING OPTION	COLOR	CPA	STATUS
34752-0200	A	BLACK		SALEABLE
34752-0201	B	LT. GRAY		CONCEPT ONLY
34752-0202	C	DK. GRAY		CONCEPT ONLY
34752-0203	D	STONE GRAY		CONCEPT ONLY
34752-0204	A	BLACK	X	SALEABLE
34752-0205	B	LT. GRAY	X	CONCEPT ONLY
34752-0206	C	DK. GRAY	X	CONCEPT ONLY
34752-0207	D	STONE GRAY	X	CONCEPT ONLY

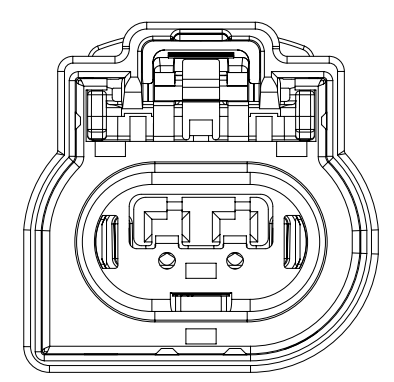


KEYING OPTION A

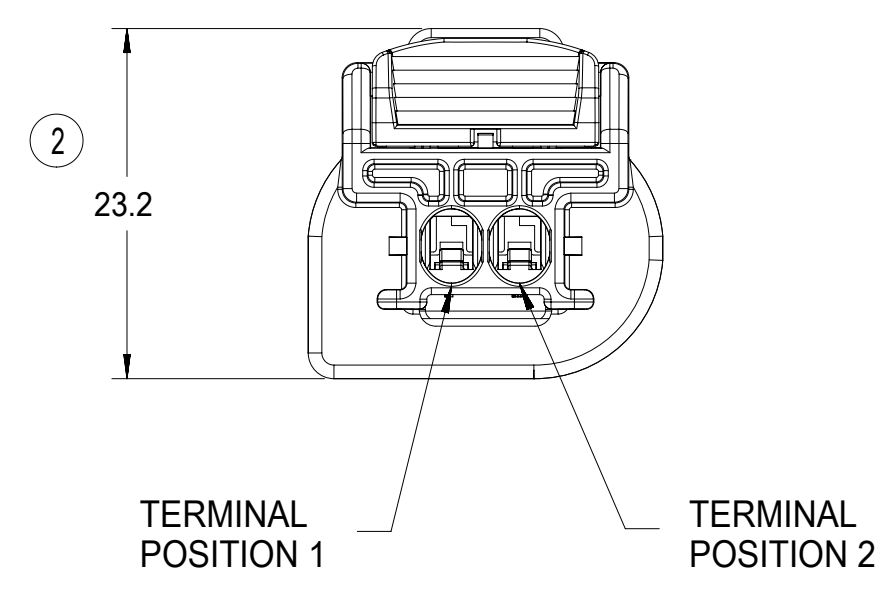
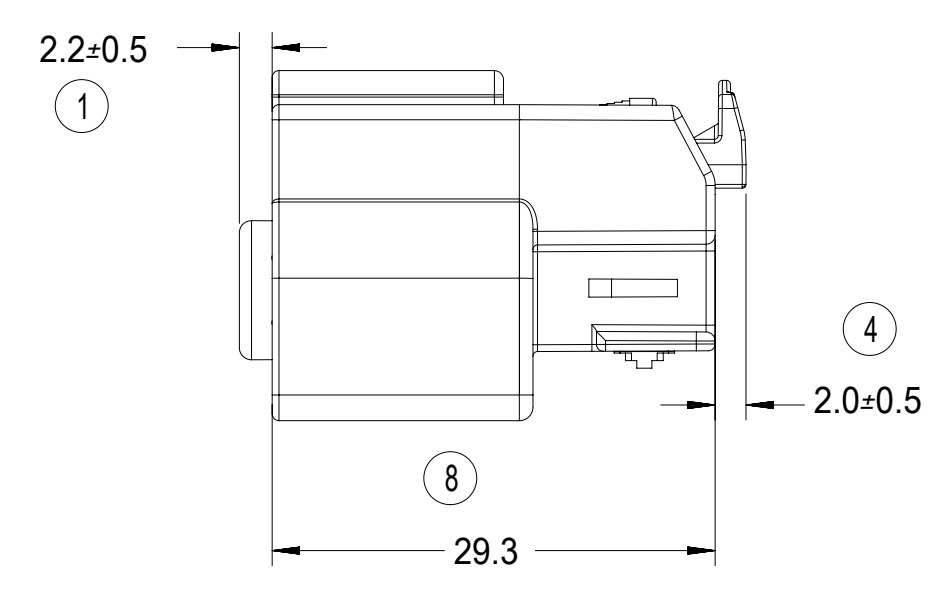
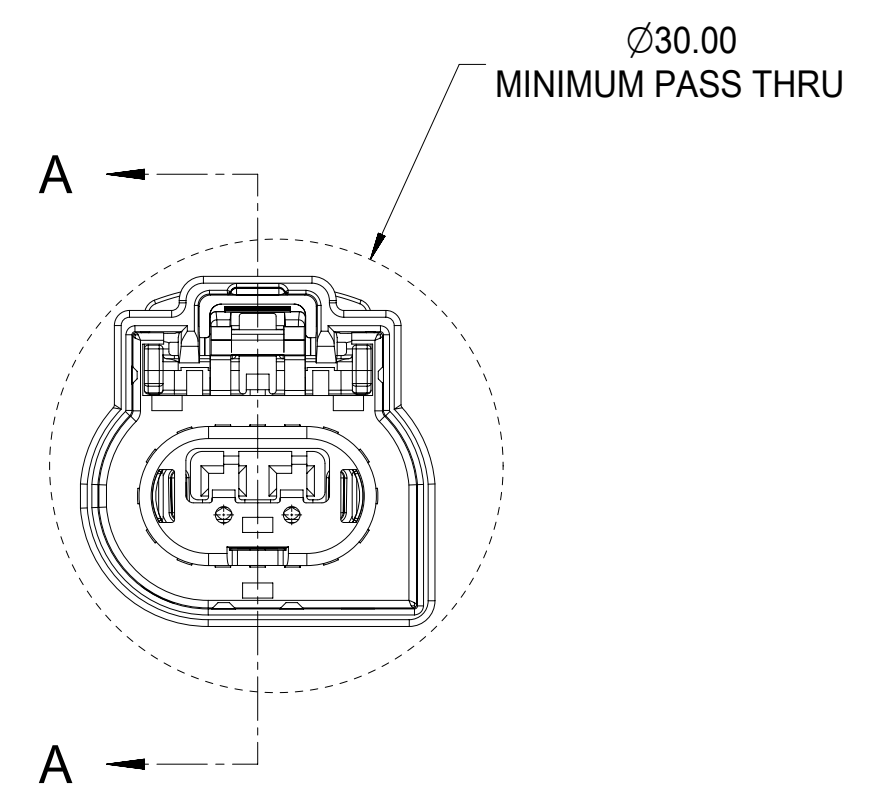
LASER MARKING APPLIED TO THIS SURFACE TO INCLUDE: MOLEX P/N AND DATE CODE SEE NOTE 1d



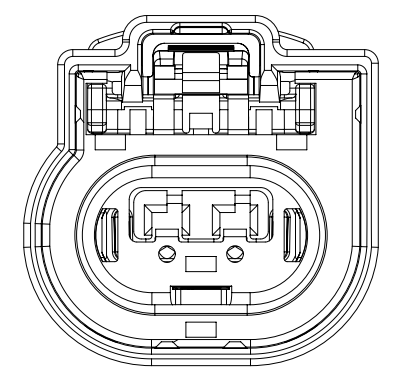
SECTION A-A



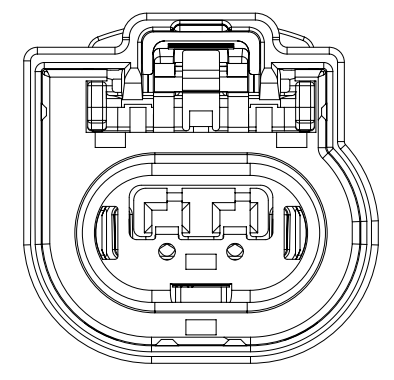
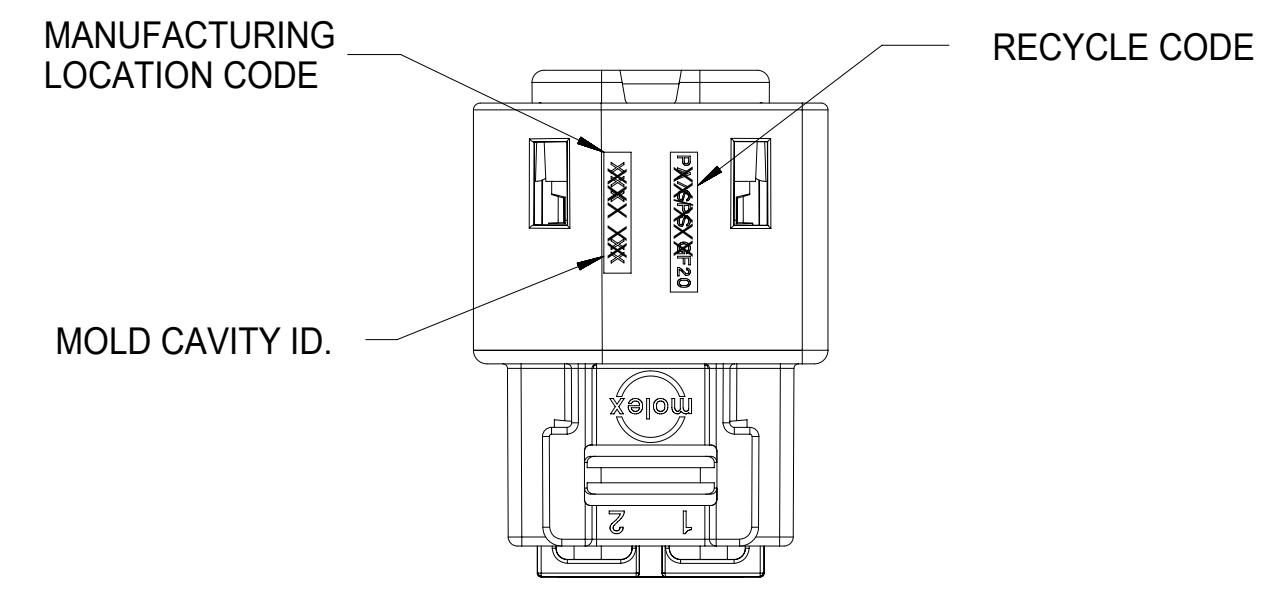
KEYING OPTION B



TERMINAL POSITION 1
TERMINAL POSITION 2



KEYING OPTION C



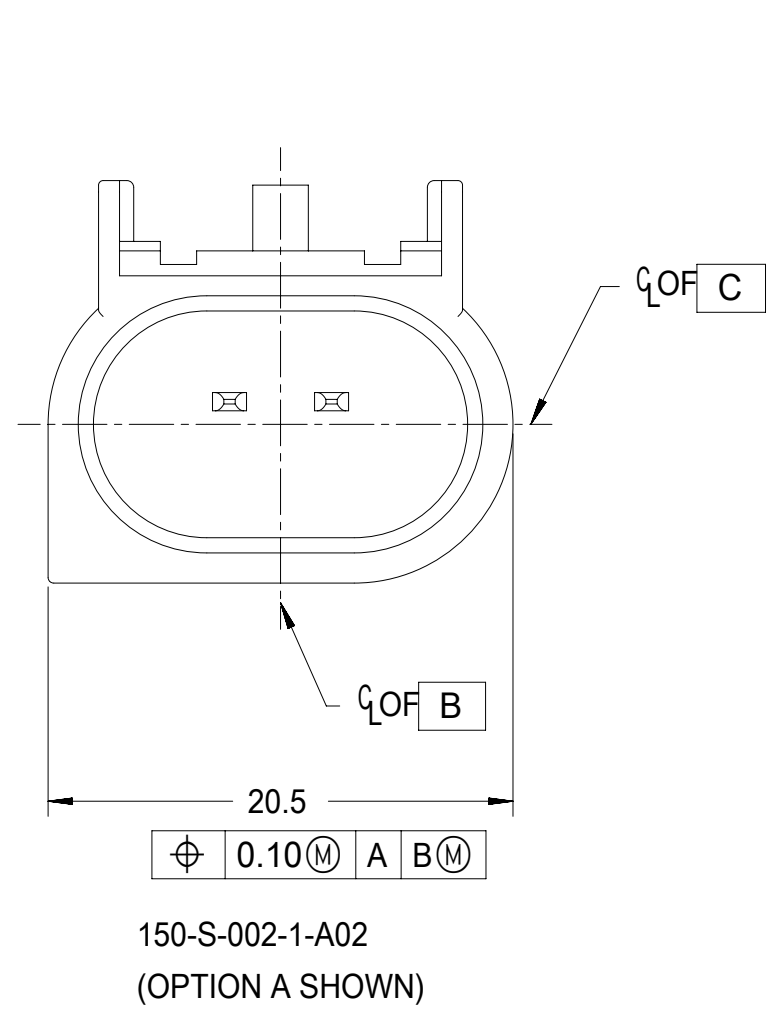
KEYING OPTION D

NOTES: VALID UNLESS OTHERWISE SPECIFIED

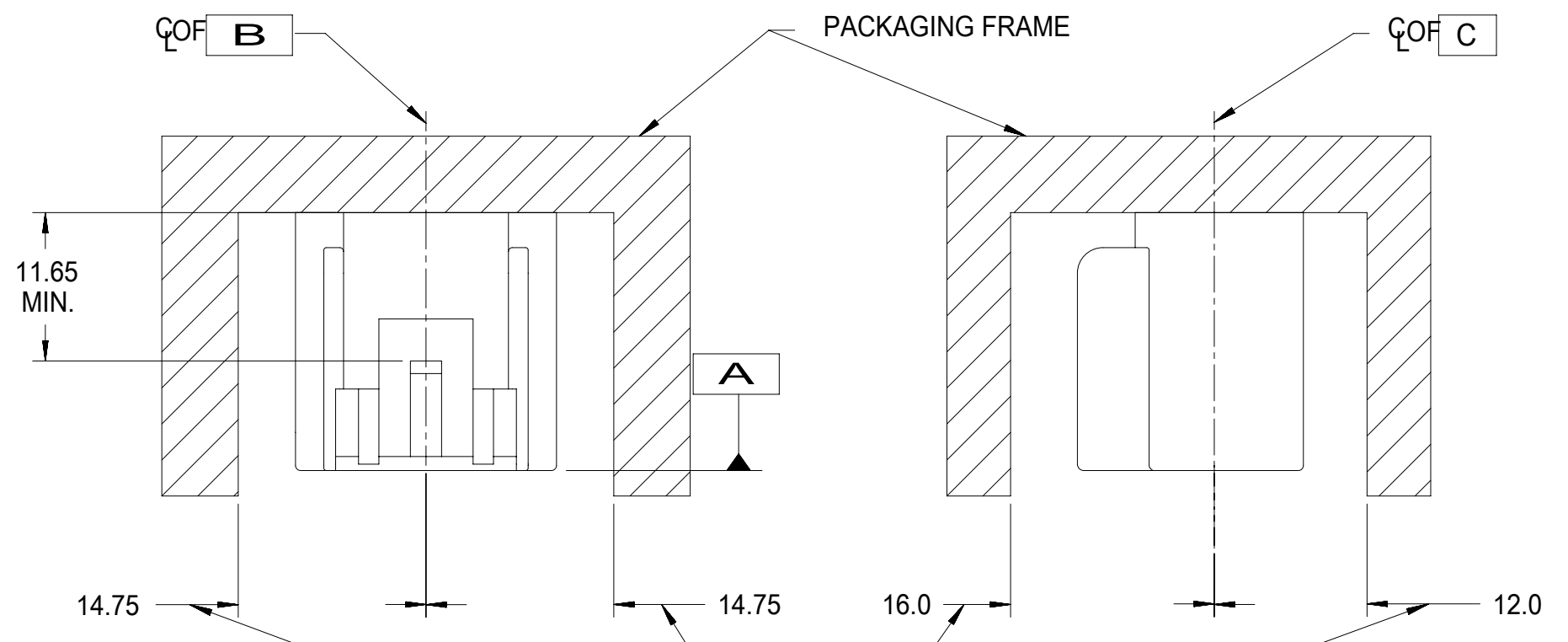
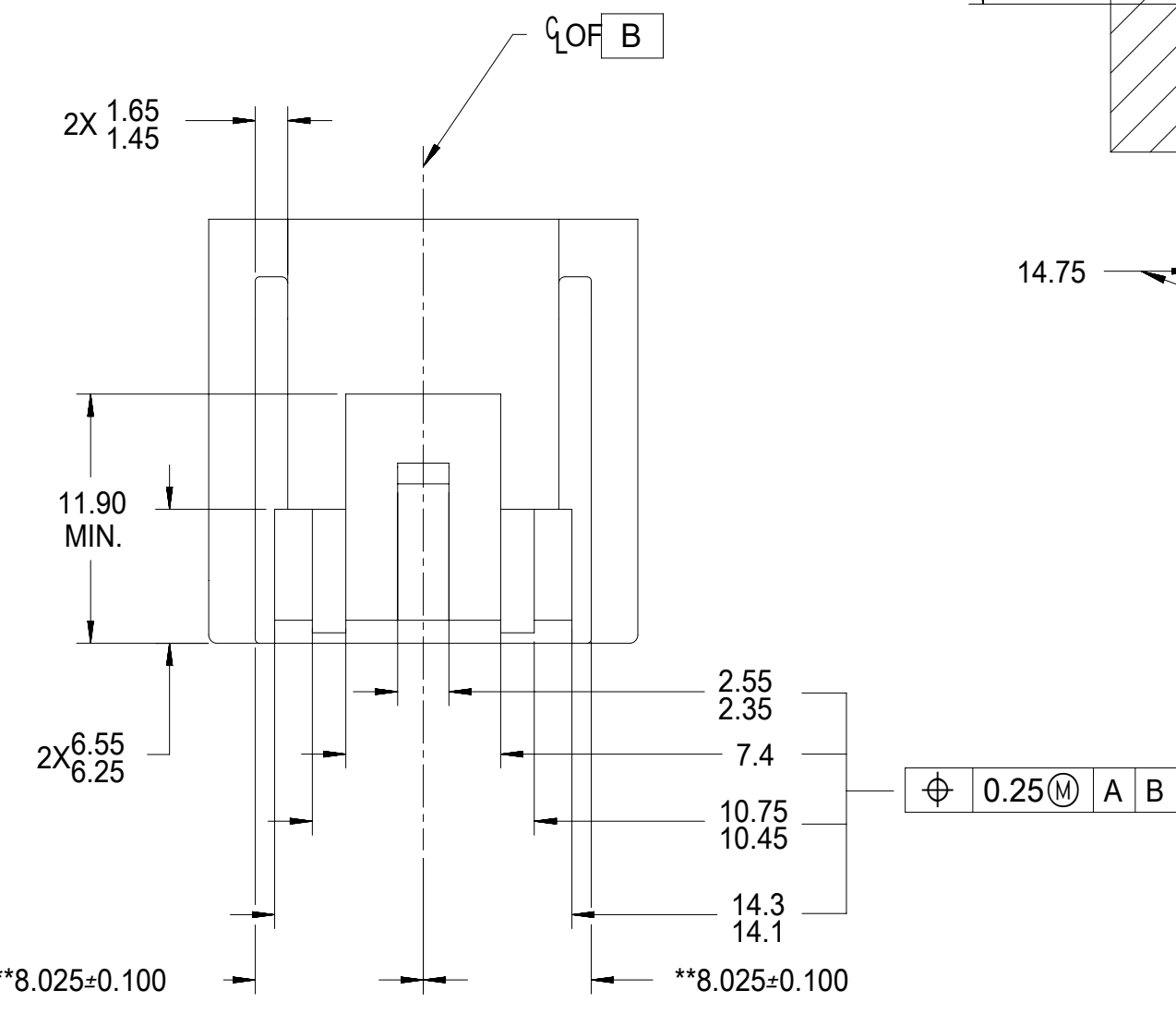
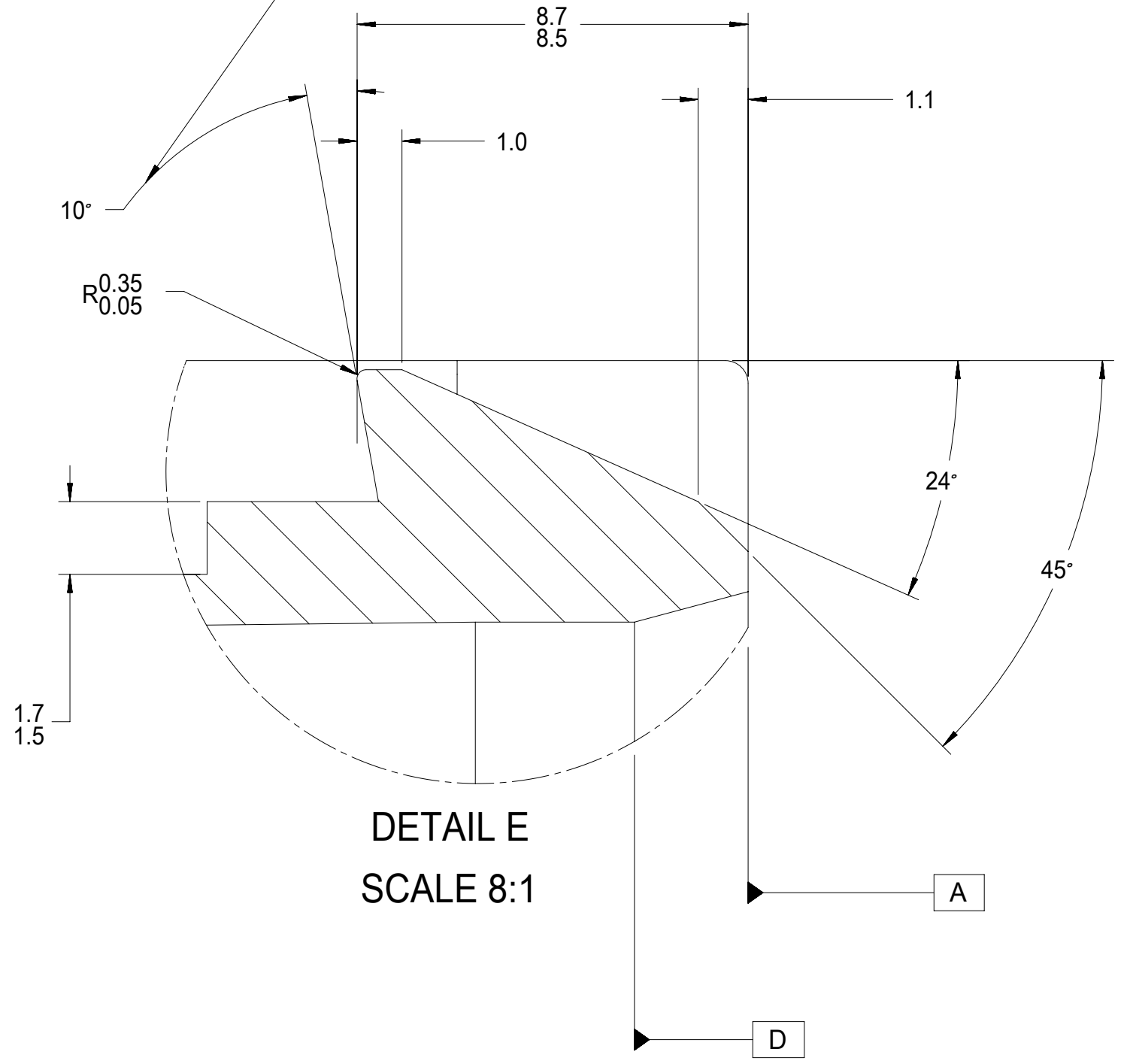
1. GENERAL:
 - a. PRODUCT SPECIFICATION SEE MOLEX DOCUMENT: PS-34752-001
 - b. PACKAGING SPECIFICATION PER MOLEX DRAWING: PK-31300-635
 - c. APPLICATION SPECIFICATION SEE MOLEX DOCUMENT: AS-34752-001
APP. SPEC. CONTAINS THE FOLLOWING INFORMATION
 - › APPROPRIATE TERMINALS TO BE USED
 - › PLR / CPA USAGE
 - › MATING INTERFACES
 - d. DATE CODE: FIRST TWO DIGITS IS CALENDAR YEAR, THIRD THRU FIFTH DIGIT IS DAY NUMBER OF THE CALENDAR YEAR (FEB. 3RD, 2003 = 0341)
 - e. PARTS MUST BE IN COMPLIANCE TO MOLEX CHEMICAL SUBSTANCES FOR PRODUCTS AND PACKAGING SPECIFICATION: ES-40000-5016
 - f. DATA MUST BE SUBMITTED UNDER THE MOLEX PART NUMBER TO IMDS (COMPANY ID#13255)
2. DESIGN - MATERIALS:
 - a. HOUSING: SPS/NYLON BLEND, 20% GLASS FILLED, 20 % MAX REGRIND
COLOR: SEE TABLE
 - b. TPA: SPS/NYLON BLEND, 20% GLASS FILLED, 20 % MAX REGRIND
COLOR: NATURAL
 - c. CPA: PBT 30% GLASS FILLED, 20% MAX REGRIND
COLOR: RED
 - d. PERIMETER SEAL: INHERENTLY LUBRICATED SILICONE, 50 DUROMETER
COLOR: DK BLUE
3. PACKAGING: IN THE EVENT THAT INERT IS FOUND IN THE SEATED (FINAL LOCK) POSITION, REFER TO MOLEX SPECIFICATION PS-34646-001, AVAILABLE AT WWW.MOLEX.COM

QUALITY SYMBOLS	THIS DRAWING CONTAINS INFORMATION THAT IS PROPRIETARY TO MOLEX ELECTRONIC TECHNOLOGIES, LLC AND SHOULD NOT BE USED WITHOUT WRITTEN PERMISSION		DIMENSION UNITS		SCALE	molex®		
▽ = 0	2019/03/13	GENERAL TOLERANCES (UNLESS SPECIFIED)	MM	2:1	MX150 CABLE SEAL SINGLE ROW, RECEPTACLE 1X2, ASSEMBLY			
▽ = 0	2019/03/15	ANGULAR TOL ± 3.0 °						
▽ = 0	2019/03/15	4 PLACES ±			PRODUCT CUSTOMER DRAWING			
▽ = 0		3 PLACES ±						
▽ = 0		2 PLACES ± 0.1			SERIES MATERIAL NUMBER CUSTOMER			
▽ = 0		1 PLACE ± 0.2						
▽ = 0		0 PLACES ±			34752 SEE TABLE GENERAL MARKET			
▽ = 0		DRAFT WHERE APPLICABLE MUST REMAIN WITHIN DIMENSIONS						
▽ = 0	EC NO: 613666	DRWN: XLDONG03	DRAWING SIZE	THIRD ANGLE PROJECTION	DOCUMENT NUMBER DOC TYPE DOC PART SHEET NUMBER			
▽ = 0	2019/03/13	CHKD: JDENG02	D					
▽ = 0	2019/03/15	REV APPR: JDENG02			SD-34752-020 PSD 000 1 OF 2			
▽ = 0								

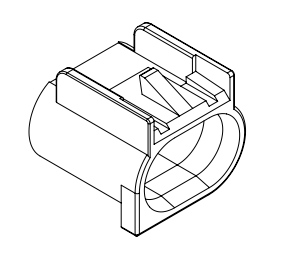
RELEASE STATUS	RELEASE DATE



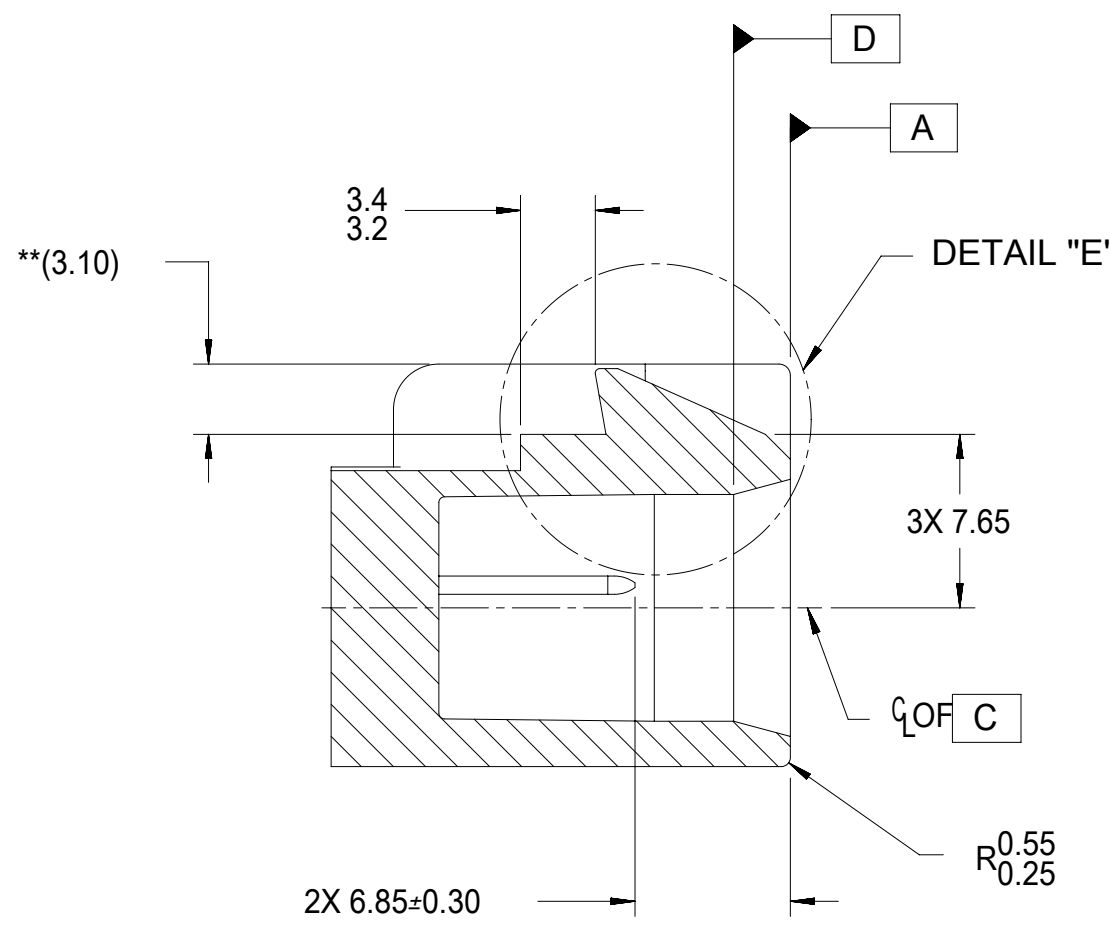
ELIMINATION OF BACK ANGLE
REQUIRES APPROVAL BY
RESPONSIBLE ENGINEER



IF HEADER IS RECESSED INTO A POCKET, THESE DIMENSIONS REPRESENT
THE CLEARANCE REQUIRED FOR THE MATING CONNECTOR SHROUD

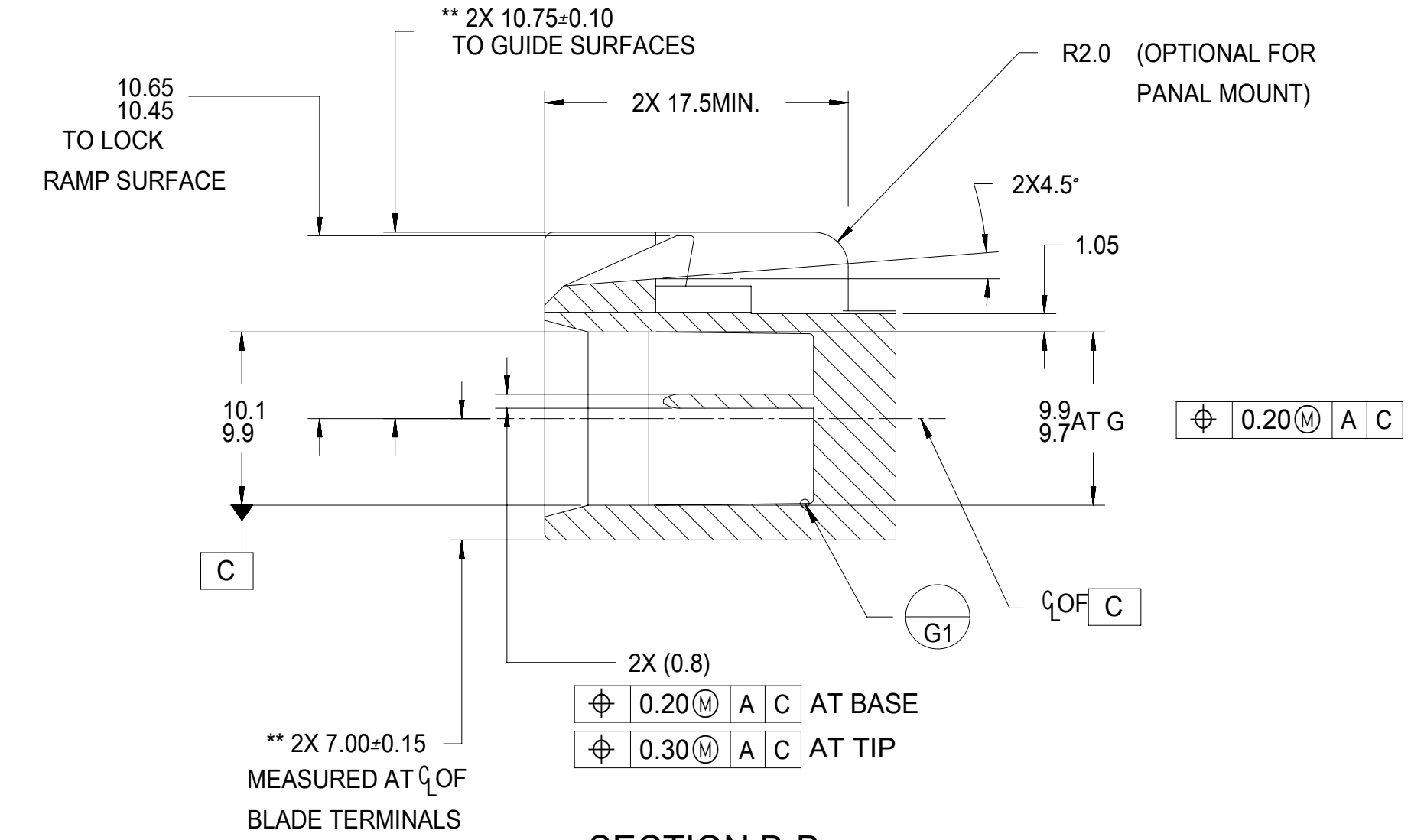
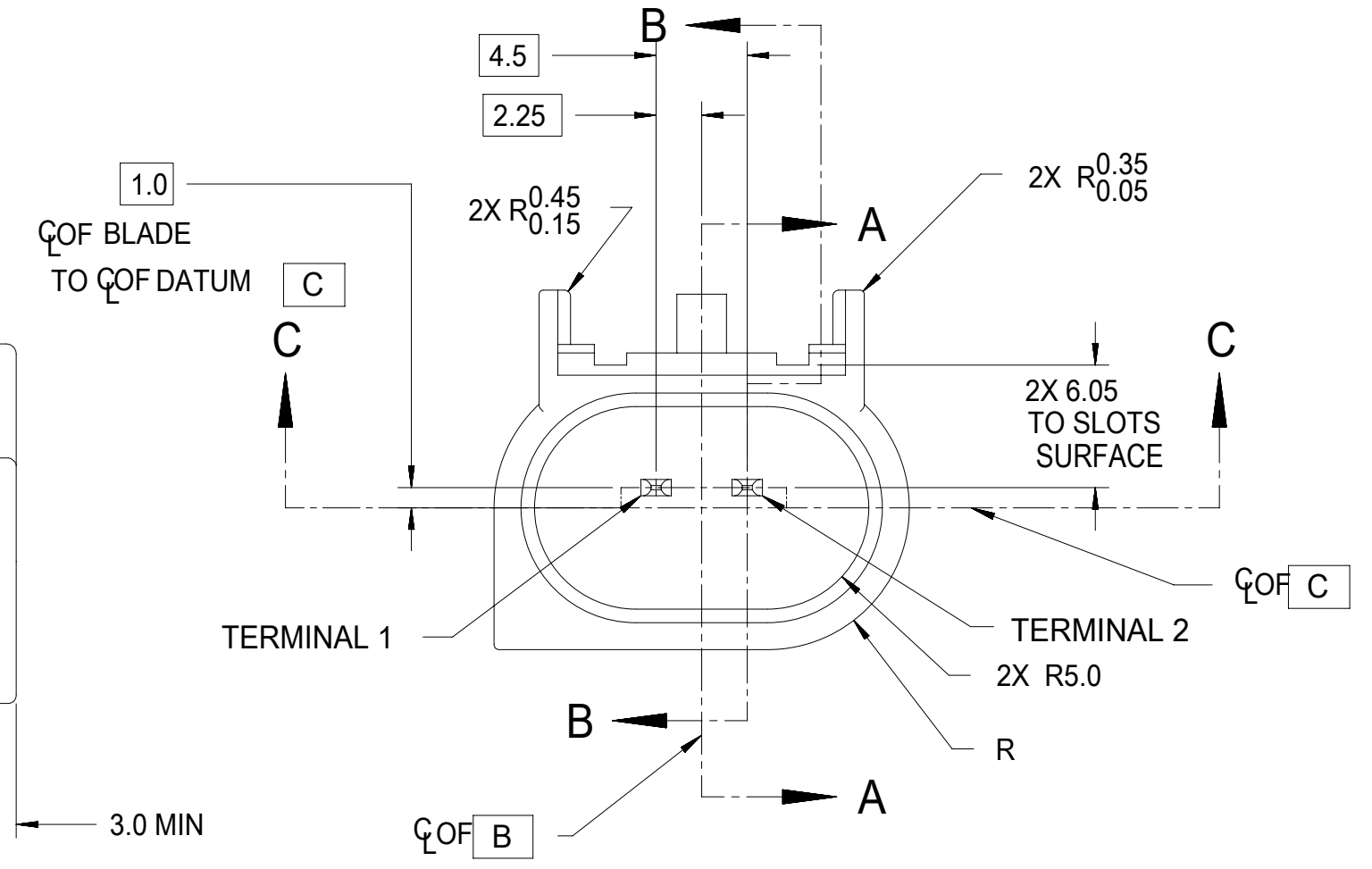
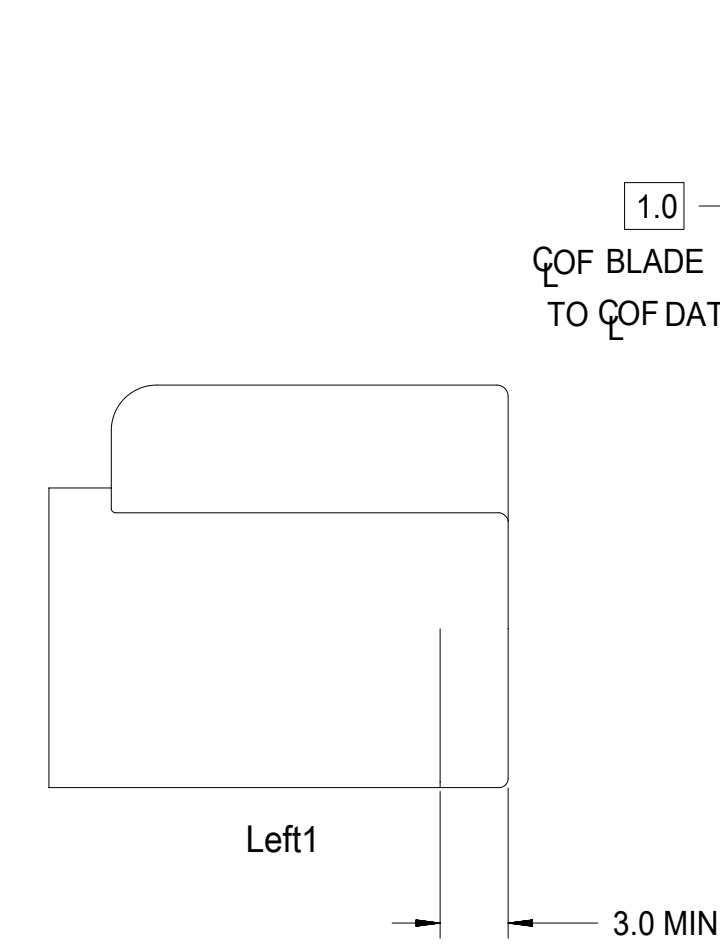


ISOMETRIC VIEW
OPTION A
SCALE: 1:1

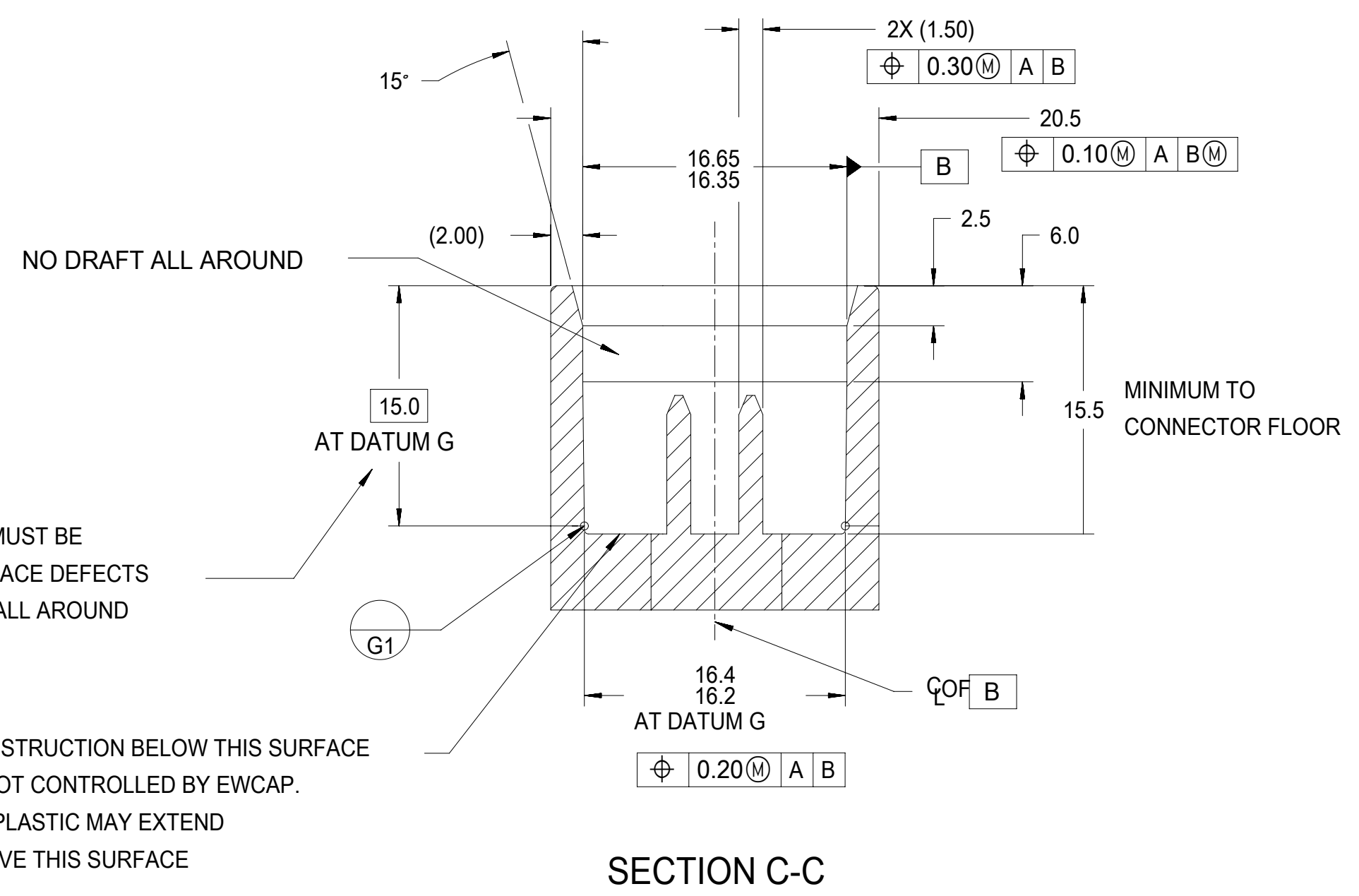


NOTES:

1. ALL DIMENSIONS SHOWN IN MILLIMETERS
2. DIMENSIONING AND TOLERANCING PER ASME Y14.5M-1994.
3. RADII ON ALL CORNERS SHOWN SHARP OR ALL UNSPECIFIED RADII: 0.25 EXCEPT AS NOTED
UNSPECIFIED TOLERANCES ARE AS FOLLOWS
.X = 0.25
.XX = .13
ANGLES ±2°
4. DESIGN IS BASED ON USCAR DWG. 150-S-002-1-Z02 REV K EXCEPT DIMENSIONS MARKED WITH **
REFER TO "SAE/USCAR-12 CONNECTOR DESIGN GUIDELINES FOR ADDITIONAL INFORMATION.
5. STANDARD COLORS FOR POLARIZATION - DEVIATION REQUIRES APPROVAL OF AUTHORIZED PERSONS.
6. SECTION LINES ARE COMMON TO ALL OPTIONS.
7. 1° DRAFT MAX ON OUTSIDE SURFACES PERMISSIBLE WITHIN ALLOWABLE TOLERANCE.
8. DIMENSIONS IN () ARE FOR REFERENCE.
9. FOR BLADE GEOMETRY AND PLATING REQUIREMENTS REFER TO EWCAP DWG. NO. EWCAP-001 REV F, DETAIL 150-T001
10. DIRECTION OF DRAFT REQUIRED.



150-S-002-D02	D	GREEN
150-S-002-C02	C	BROWN
150-S-002-B02	B	GREY
150-S-002-A02	A	BLACK
EWCAP P/N	OPTION	MATING CONNECTOR COLOR



DIMENSION MUST BE
FREE OF SURFACE DEFECTS
FOR SEALING ALL AROUND

CONSTRUCTION BELOW THIS SURFACE
IS NOT CONTROLLED BY EWCAP.
NO PLASTIC MAY EXTEND
ABOVE THIS SURFACE

QUALITY SYMBOLS F = 0 E = 0 E = 0 E = 0 C = 0 C = 0 X = 0 X = 0 V = 0	THIS DRAWING CONTAINS INFORMATION THAT IS PROPRIETARY TO MOLEX ELECTRONIC TECHNOLOGIES, LLC AND SHOULD NOT BE USED WITHOUT WRITTEN PERMISSION		GENERAL TOLERANCES (UNLESS SPECIFIED)		DIMENSION UNITS	SCALE		
	EC NO: 613666 DRWN: XLDONG03 CHKD: JDENG02 REV APPR: JDENG02		ANGULAR TOL ± 3.0° 4 PLACES ± 3 PLACES ± 2 PLACES ± 0.1 1 PLACE ± 0.2 0 PLACES ± DRAFT WHERE APPLICABLE MUST REMAIN WITHIN DIMENSIONS		MM	3:1		
DRWN BY: M.VANSLAMBRO DATE: 9/16/08 CHKD BY: S.VERZYL DATE: 9/16/08 APPR BY: V.KOSHY DATE: 9/16/08			PRODUCT CUSTOMER DRAWING		SERIES: 34752 MATERIAL NUMBER: 150-S-002-1-Z02 CUSTOMER: GENERAL MARKET		MX150 CABLE SEAL SINGLE ROW, RECEPTACLE 1X2, ASSEMBLY	
E2		D		THIRD ANGLE PROJECTION		DOCUMENT NUMBER: SD-34752-020 DOC TYPE: PSD DOC PART: 000 SHEET NUMBER: 2 OF 2		