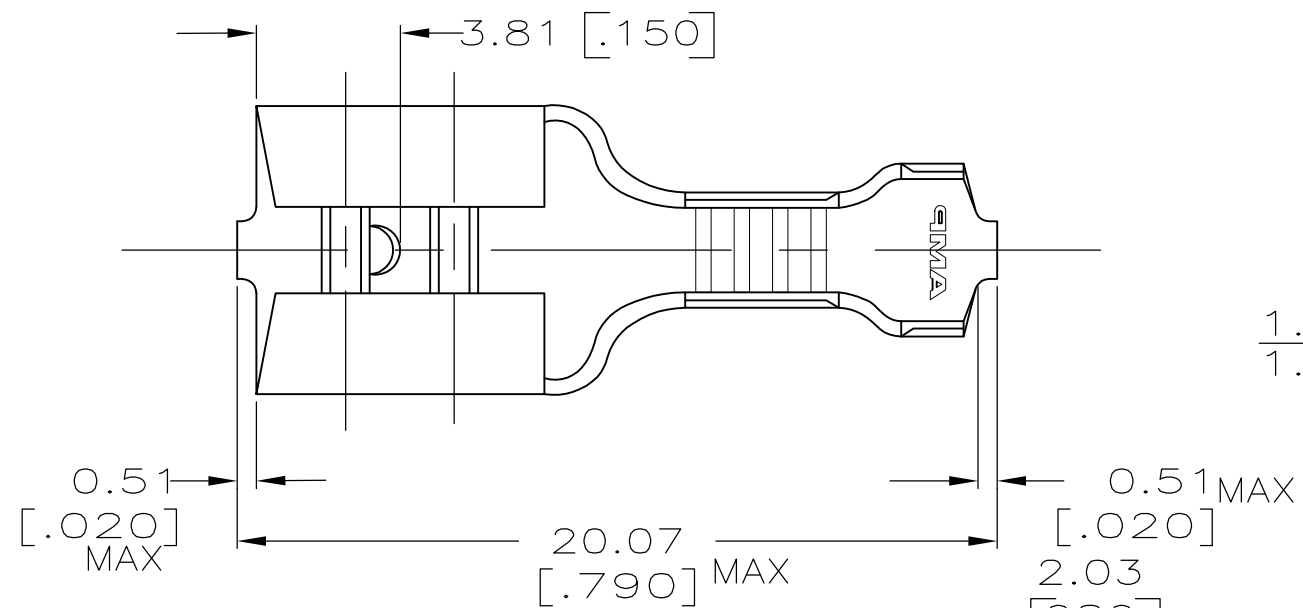
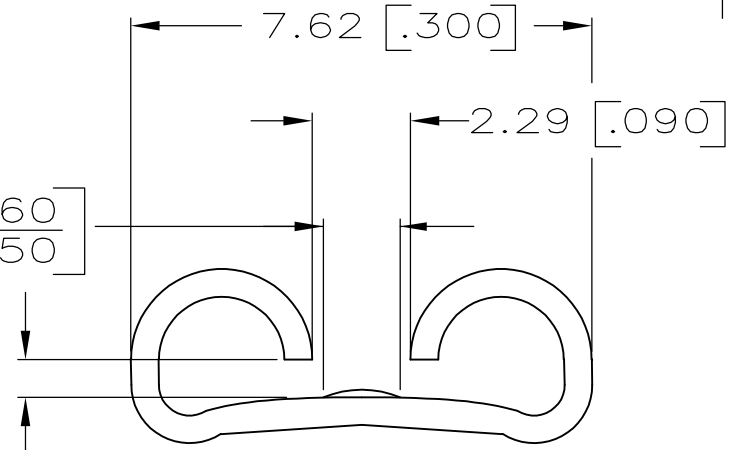


THIS DRAWING IS UNPUBLISHED. RELEASED FOR PUBLICATION
 © COPYRIGHT - By - ALL RIGHTS RESERVED.

LOC	DIST	REVISIONS					
AF	50	P	LTR	DESCRIPTION	DATE	DWN	APVD
		R		REVISED PER ECR-12-013459	28NOV2012	KH	PD

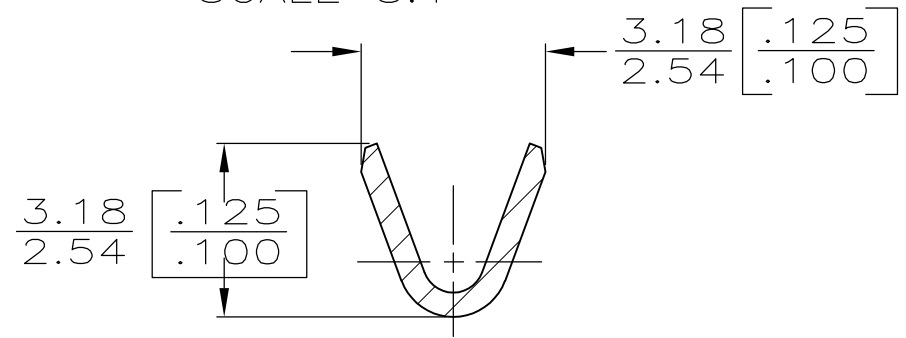
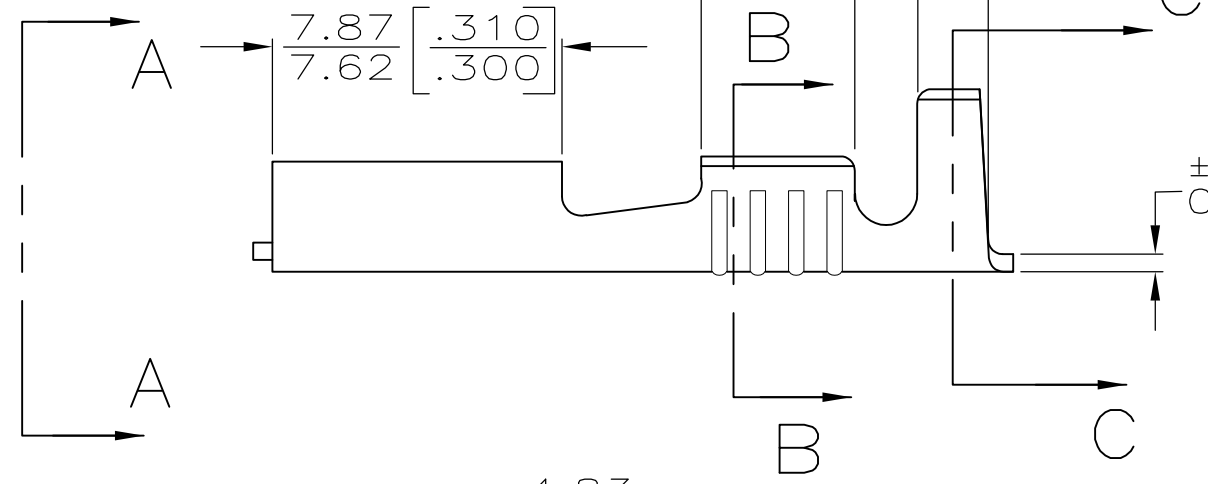


1.52 [.060]
1.27 [.050]

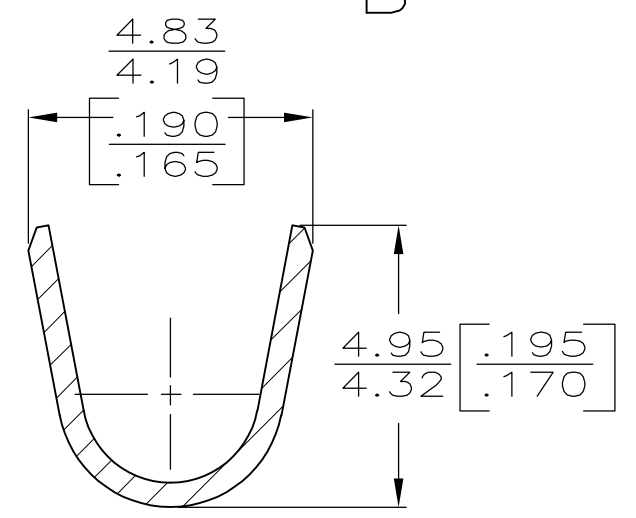


FITS .250 SERIES FASTON TAB
 VIEW A-A
 SCALE 8:1

1 SUPPLIED IN LOOSE PIECE



SECTION B-B
 SCALE 8:1



SECTION C-C
 SCALE 8:1

41772	2.29-3.30 [.090-.130]	0.3-0.8mm ² [22-18]	±0.025 ±.001 0.81 [.032]	60878-2
STRIP FORM	INSUL RANGE	WIRE SIZE	MATING TAB THK	PART NO
THIS DRAWING IS A CONTROLLED DOCUMENT.		DWN JR RUTH 3/2/93	TE Connectivity RECEPTACLE, FASTON,™ .250 SERIES	
DIMENSIONS: mm [INCHES]		CHK MS FEHER 3/2/93		
TOLERANCES UNLESS OTHERWISE SPECIFIED:		APVD C MEYERS 3/2/93		
0 PLC ± - 1 PLC ± - 2 PLC ± - 3 PLC ± 0.25 [.010] 4 PLC ± - ANGLES ± -		PRODUCT SPEC -		
MATERIAL BRASS	FINISH TIN	APPLICATION SPEC -	SIZE A3	CAGE CODE 00779
		WEIGHT -	DRAWING NO C-60878	RESTRICTED TO -
CUSTOMER DRAWING			SCALE 5:1	SHEET 1 OF 1
			REV R	