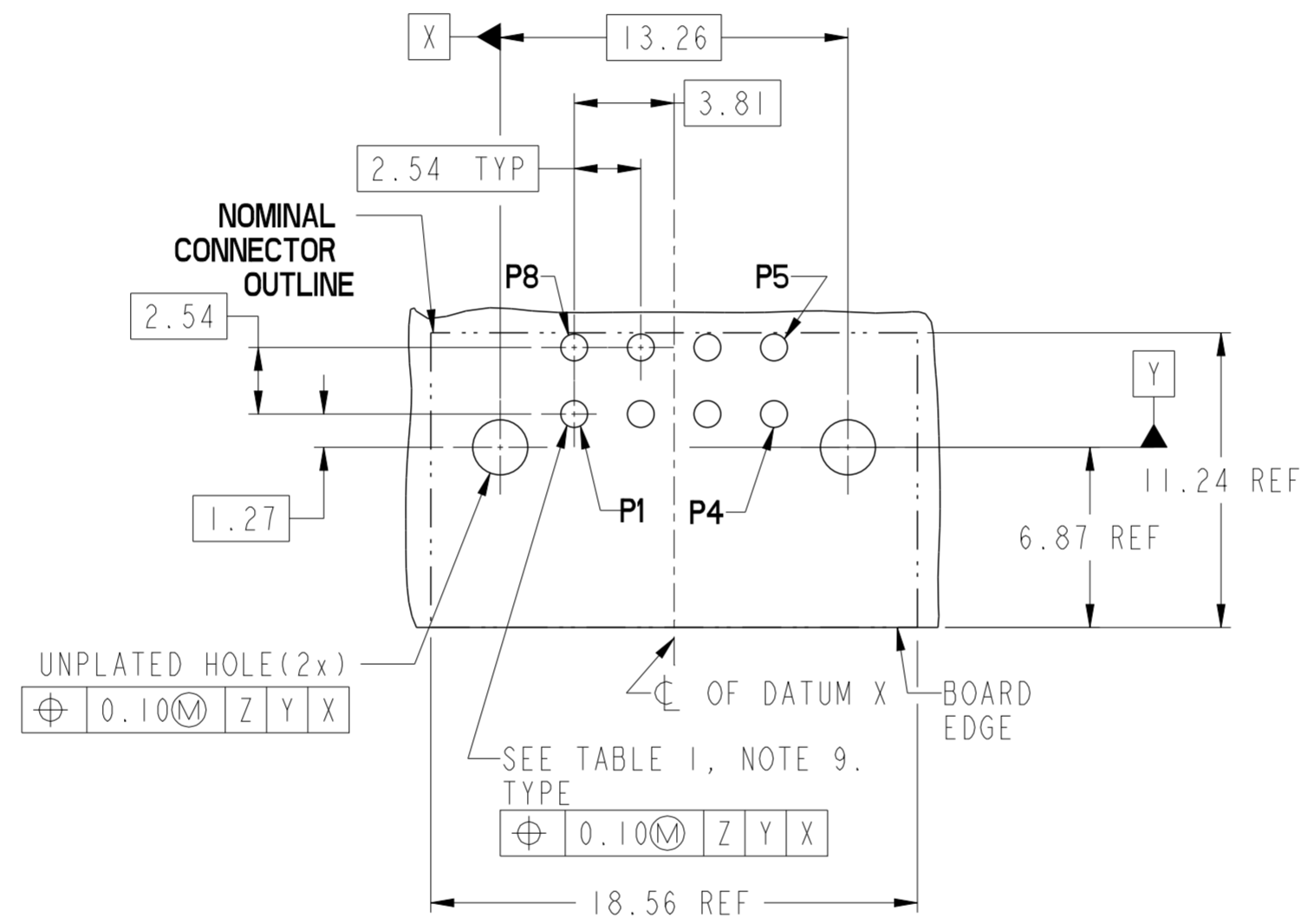


SECTION A-A
SCALE 4:1

spec ref	-	dr	Julia Wang	2014/04/10	projection	MM	size	A2	scale	4:1	
tolerance std	ISO 406 ISO 1101	eng	Julia Wang	2014/04/14			ecn no	-	rel level	Released	
TOLERANCES UNLESS OTHERWISE SPECIFIED		chr	-	app			Pei-Ming Zheng	2014/04/14		product family	
surface	ISO 1302	linear	0.X	±0.50		title HPCE BTB R/A RECEPTACLE 8P	dwg no 10129142	rev A	Product - Customer Drw		
		angular	0°	±2°					www.fci.com	cat. no.	sheet 1 of 3



CONTACT TYPE	TOP LAYER DESCRIPTION	TABLE 1 (HPCE / SOLDER TAILS) PLATED THROUGH-HOLE REQUIREMENTS				
		DRILLED HOLE DIAMETER	COPPER THICKNESS	TIN-LEAD THICKNESS	TIN THICKNESS	FINISHED HOLE DIAMETER
POWER & SIGNAL	TIN-LEAD	1.10-1.16 (1.15 DRILL)	0.025 - 0.050	0.005 - 0.015	--	0.94 - 1.10
	IMMERSION TIN	1.10-1.16 (1.15 DRILL)	0.025 - 0.050	--	0.9 - 1.5um	0.94 - 1.10
	COPPER (SEE NOTE 8)	1.10-1.16 (1.15 DRILL)	0.025 - 0.050	--	--	0.94 - 1.10

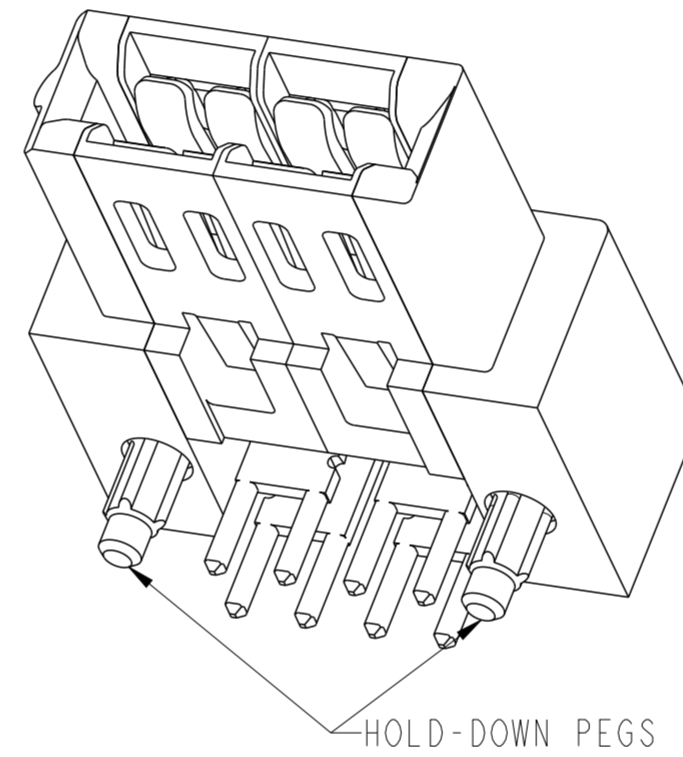


RECOMMENDED PCB LAYOUT

spec ref	-	dr	Julia Wang	2014/04/10	projection	MM	size	A2	scale	4:1
tolerance std	ISO 406 ISO 1101	eng	Julia Wang	2014/04/14	chr	-	ecn no	-	rel level	Released
surface	ISO 1302	appr	Pei-Ming Zheng	2014/04/14	product family		cat. no.	10129142	rev	A
linear	0.X ±0.50 0.XX ±0.25 0.XXX ±0.13	angular	0° ±2°	www.fci.com	cat. no.	Product - Customer Drw	sheet 2 of 3			

HPCE PART NUMBER (TABLE 2)

PART NUMBER	TAIL TYPE	HOLD-DOWN PEGS OPTION	DIM T ±0.25 TAIL LENGTH
10129142-001LF	SOLDER TAIL	YES	3.25
10129142-002LF		NO	
10129142-003LF		YES	2.60
10129142-004LF		NO	



NOTES:

1. CONNECTOR MATERIALS:
 HOUSING: HIGH TEMPERATURE THERMAL PLASTIC, BLACK
 UL 94V-0 COMPLIANT
 CONTACTS: HIGH PERFORMANCE COPPER ALLOY.
2. CONTACT FINISH REF. GS-12-1125.
3. PRODUCT SPECIFICATION: GS-12-1125.
4. APPLICATION SPECIFICATION: GS-20-0388.
5. PRODUCT MARKING (FCI - PART NUMBER & DATE CODE) ON HOUSING IN AREA SHOWN.
6. PACKAGING MEETS FCI SPECIFICATION GS-14-2272.
7. HOUSING COMPONENT WILL WITHSTAND EXPOSURE TO 260°C PEAK TEMPERATURE FOR 60 SECONDS IN A CONVECTION, INFRA-RED, OR VAPOR PHASE REFLOW OVEN.
8. COPPER PLATING THICKNESS IN CENTER OF VIA-HOLE CAN BE NO MORE THAN 0.003 LESS THAN OTHER AREAS.
9. ALL HOLE SIZES ARE FINISHED HOLE SIZES.
10. MOUNTING HOLES ARE UNPLATED
 \varnothing 2.18 +/- 0.03 FOR SOLDER TAILS

spec ref	-	dr	Julia Wang	2014/04/10	projection	MM	size	A2	scale	4:1
tolerance std	ISO 406 ISO 1101	eng	Julia Wang	2014/04/14			ecn no	-	rel level	
TOLERANCES UNLESS OTHERWISE SPECIFIED		chr	-	2014/04/14			product family	Released		
surface	ISO 1302	appr	Pei-Ming Zheng	2014/04/14			title	HPCE BTB R/A RECEPTACLE		8P
linear	0.X ±0.50 0.XX ±0.25 0.XXX ±0.13	www.fci.com		cat. no.	Product - Customer Drw		sheet 3 of 3	rev	A	
angular	0° ±2°									