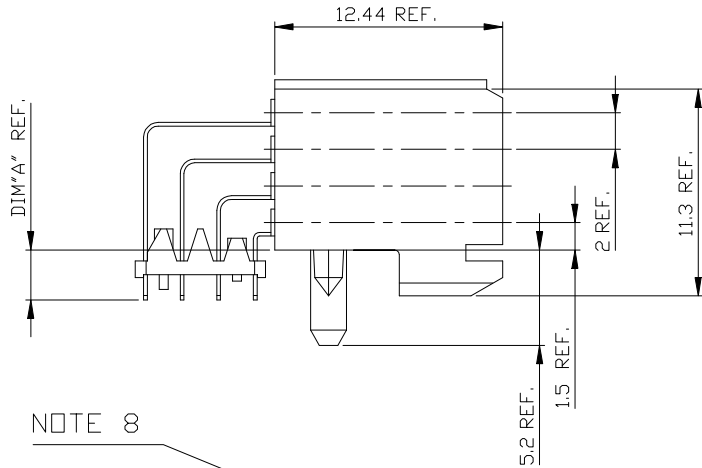
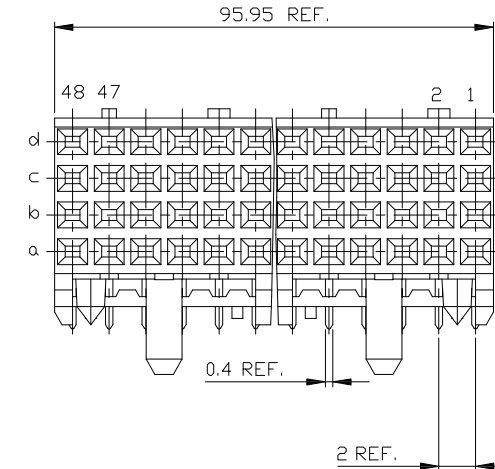
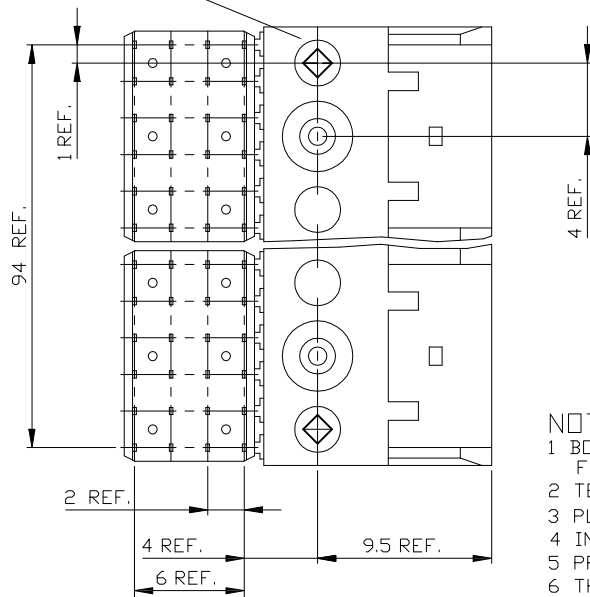


| PC BOARD VERSIONS |               |        |
|-------------------|---------------|--------|
| PRODUCTNR:        | PCB THICKNESS | DIM"A" |
| 70230-X01/X01LF   | 1.6           | 2.90   |
| 70230-X11/X11LF   | 2.4           | 3.53   |

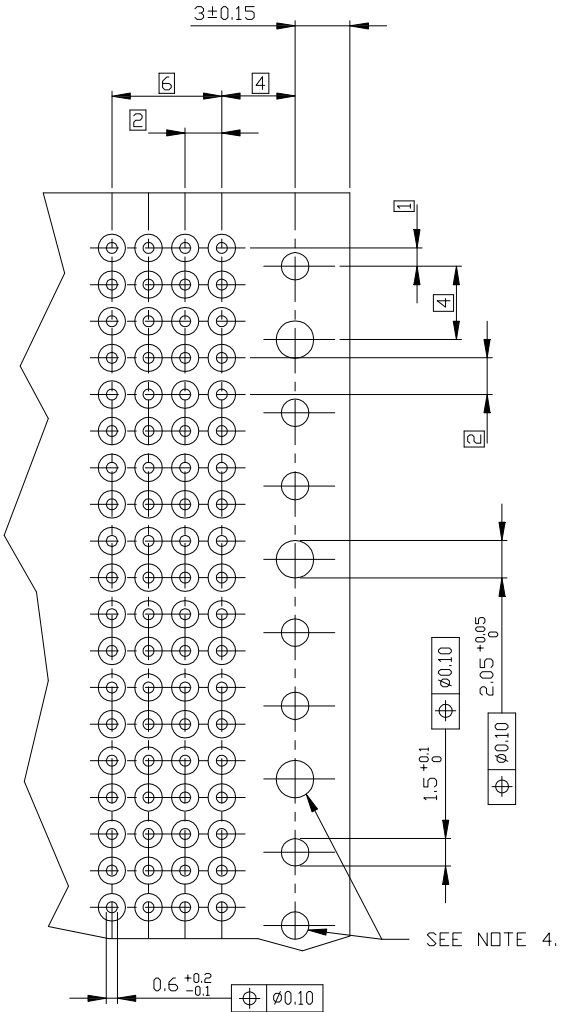
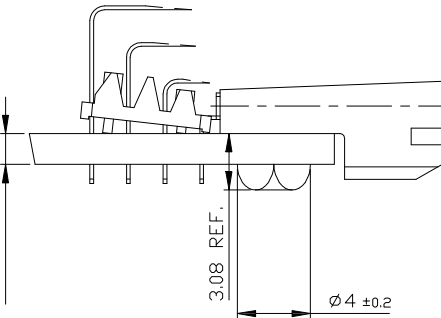


NOTE 8



PRODUCT AFTER HOT RIVETING.

PC BOARD THICKNESS ±0.20  
SEE TABLE



RECOMMENDED HOLE PATTERN,  
COMPONENT SIDE.

NOTES:

- 1 BODY MAT'L: LIQUID CRYSTAL POLYMER 30% GLASS  
FLAME RETARDANT ACC. UL 94-V0
- 2 TERMINAL MATERIAL: PHOSPHOR BRONZE.
- 3 PLATING SOLDER TAILS 2-8 um SnPb 90-97 OR 2-8 um PURE Sn
- 4 INDICATED HOLES ARE UNPLATED.
- 5 PRODUCT MARKING: PART NUMBER & BATCH ID.
- 6 THIS PRODUCT MEETS EUROPEAN UNION DIRECTIVES AND OTHER  
COUNTRY REGULATIONS AS DESCRIBED IN GS-22-008
- 7 THE HOUSING WILL WITHSTAND EXPOSURE TO 260 DEGREE PEAK  
TEMPERATURE FOR 10 SECONDS IN A WAVE SOLDER  
APPLICATION.
- 8 DIAMOND LOCATION PEG ARE ONLY EXISTED ON THE  
BOTH SIDES OF PRODUCT.

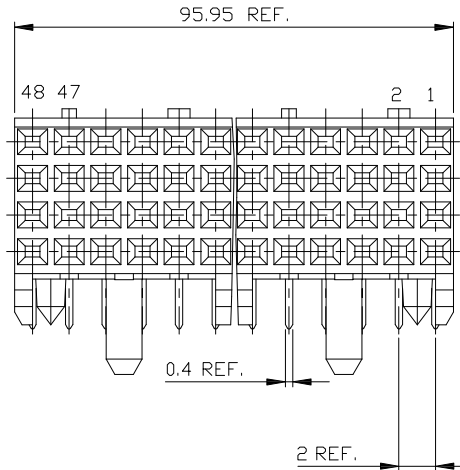
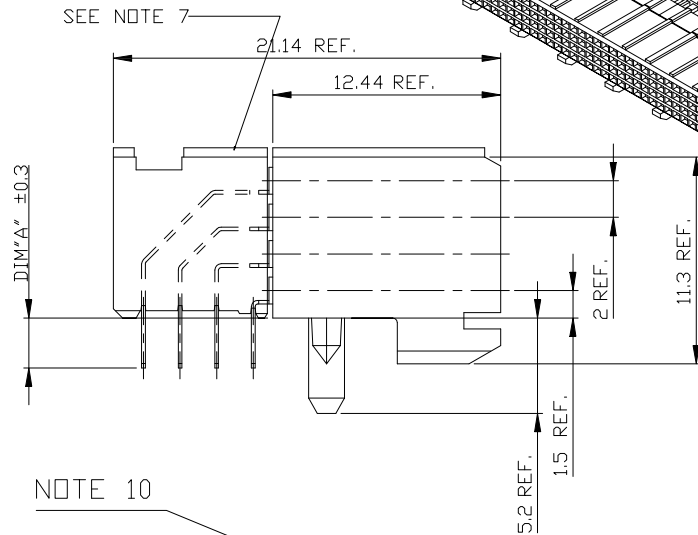
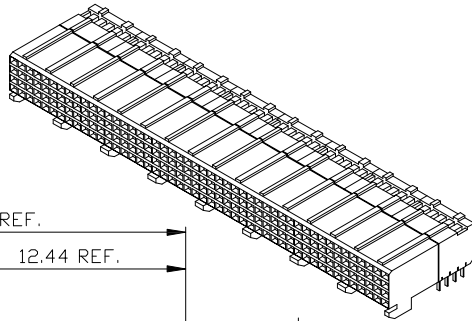
PLATING CONTACT AREA:

| DASH NR:   | PERFORMANCE LEVEL |
|------------|-------------------|
| -1YY/1YYLF | TELCORDIA CO      |
| -2YY/2YYLF | CUSTOMER SPECIAL  |
| -3YY/3YYLF | CUSTOMER SPECIAL  |

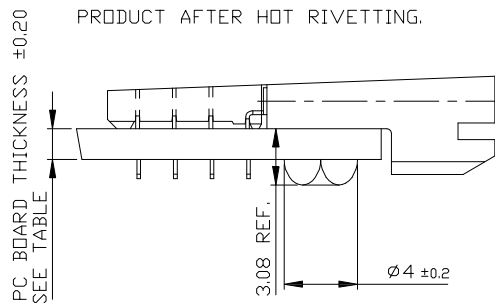
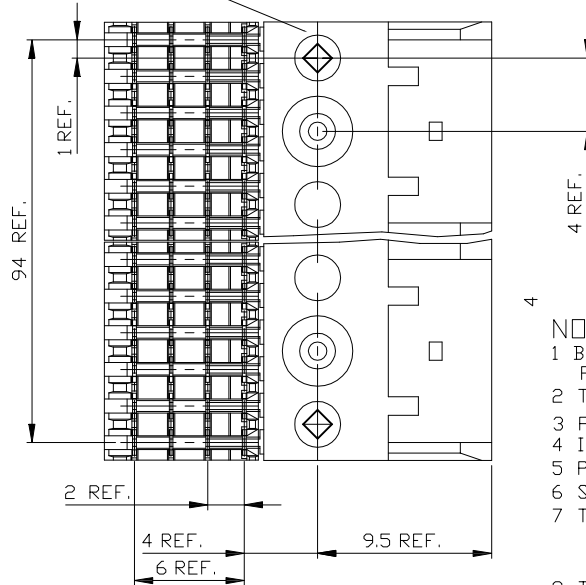
| mat'l code |           | tolerances unless otherwise specified |           | CUSTOMER CDY |              | FCI               |                           |
|------------|-----------|---------------------------------------|-----------|--------------|--------------|-------------------|---------------------------|
| ltr        | ecnr      | nodr                                  | date      | linear       | projection   | title             | www.fciconnection.com     |
| K          | DG04-004  | Clu                                   | 041221    |              |              | RA FEMALE SIGNAL  |                           |
| L          | DG06-0477 | Cenh                                  | 11/20/060 |              |              | STB 96 mm VERSION |                           |
| M          | DG07-0168 | Cenh                                  | 05/10/07  | angles       |              |                   |                           |
| N          | DG09-0068 | Cenh                                  | 06/06/09  | dir          | R.Trippe     | 900918            | product family METRAL(tm) |
| H          | V00578    | LLA                                   | 000316    | chr          | A van Zanten | 9000918           | code                      |
| J          | V00847    | LLA                                   | 000530    | app          | van Voensel  | 900918            | size/dwg no               |
| sheet      | revision  | N                                     | N         | scale        | 5:1          | A2                | 70230                     |
| index      | sheet     | 1                                     | 2         |              |              |                   | 213                       |
|            |           |                                       |           |              |              |                   | sheet 1 of 3              |

All rights strictly reserved. Reproduction or use in any form without written authority from the proprietor. Property of FCI NV. © FCI NV.

| PC BOARD VERSIONS |               |        |
|-------------------|---------------|--------|
| PRODUCTNR:        | PCB THICKNESS | DIM"A" |
| 70230-X02/X02LF   | 1.6           | 2.90   |
| 70230-X12/X12LF   | 2.4           | 3.53   |

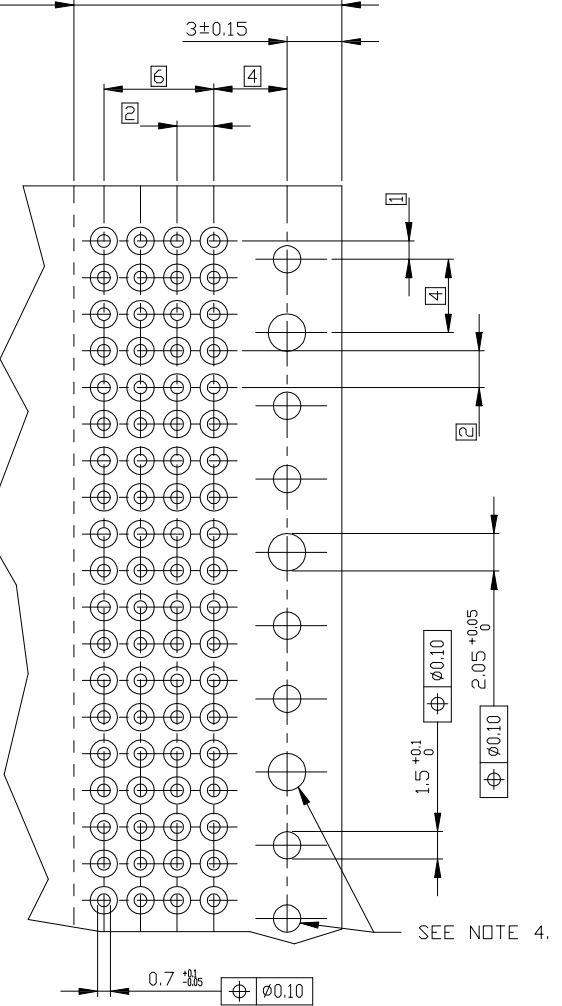


NOTE 10



PRODUCT AFTER HOT RIVETTING.

14.64 REF. SEE NOTE 6



RECOMMENDED HOLE PATTERN, COMPONENT SIDE.

- NOTES:
- 1 BODY MAT'L: LIQUID CRYSTAL POLYMER 30% GLASS  
FLAME RETARDANT ACC. UL 94-V0
  - 2 TERMINAL MATERIAL: PHOSPHOR BRONZE.
  - 3 PLATING SOLDER TAILS 2-8 鍍 SnPb 90-97 OR 2-8 鍍 PURE Sn
  - 4 INDICATED HOLES ARE UNPLATED.
  - 5 PRODUCT MARKING: PARTNUMBER & BATCH ID.
  - 6 SET BACK FOR PRESS BLOCK.
  - 7 TOP SURFACE OF PRESS BLOCK MAY EXTEND UP TO 0.4MM HIGHER THAN HOUSING. THIS MAY AFFECT THE TAIL LENGTH BEFORE APPLICATION TO A BOARD
  - 8 THIS PRODUCT MEETS EUROPEAN UNION DIRECTIVES AND OTHER COUNTRY REGULATIONS AS DESCRIBED IN GS-22-008 .
  - 9 THE HOUSING WILL WITHSTAND EXPOSURE TO 260DEGREE PEAK TEMPERATURE FOR 10 SECONDS IN A WAVE SOLDER APPLICATION.
  - 10 DIAMOND LOCATION PEG ARE ONLY EXISTED ON THE BOTH SIDES OF PRODUCT.

PLATING CONTACT AREA:

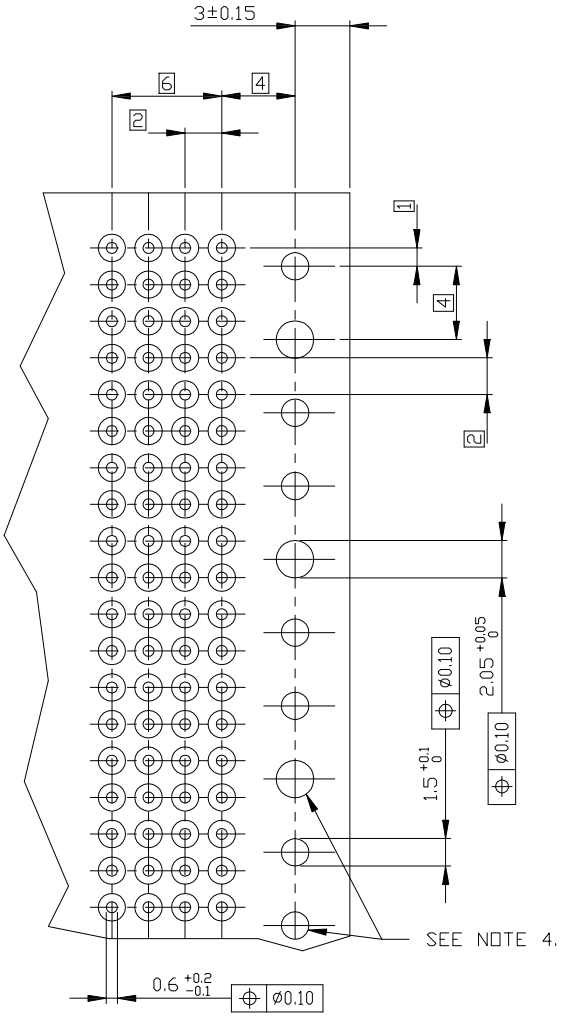
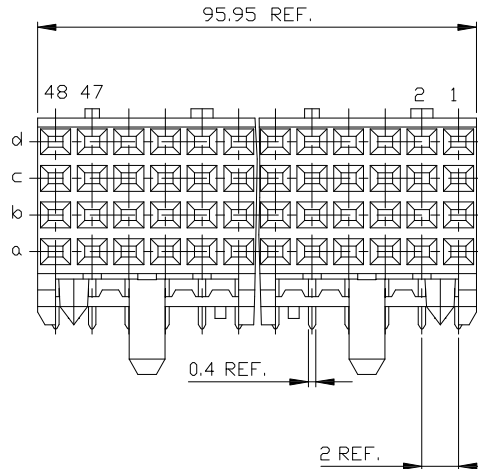
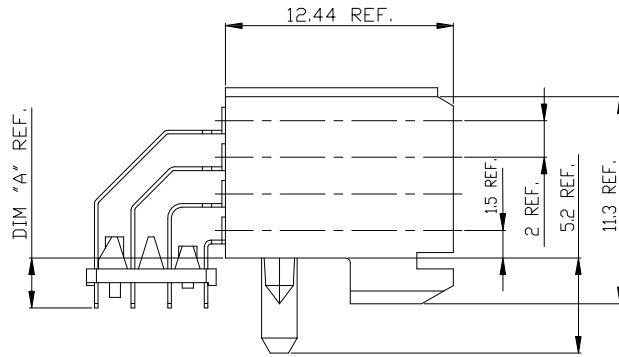
|           |                   |
|-----------|-------------------|
| DASH NR:  | PERFORMANCE LEVEL |
| -1YY/1YLF | TELCORDIA CO      |
| -2YY/2YLF | CUSTOMER SPECIAL  |
| -3YY/3YLF | CUSTOMER SPECIAL  |

| nat'l code |          | tolerances unless otherwise specified |      | CUSTOMER COPY           |                | FCJ              |                   |
|------------|----------|---------------------------------------|------|-------------------------|----------------|------------------|-------------------|
| ltr        | ecn      | nodr                                  | date | linear                  | projection     | title            | www.ficconnection |
| N          |          |                                       |      | angles                  | mm             | RA FEMALE SIGNAL |                   |
|            |          |                                       |      | dir: D. de Bil 970529   | product family | METRAL(tm)       | code              |
|            |          |                                       |      | engr: P. Schalk 970529  | size           | dwg no           | 213               |
|            |          |                                       |      | chr: P. Schalk 970529   | scale          | 5:1              | sheet             |
|            |          |                                       |      | app: H. Cooljans 970529 |                | A2               | 2 of -            |
| sheet      | revision |                                       |      |                         |                |                  |                   |
| index      | sheet    |                                       |      |                         |                |                  |                   |

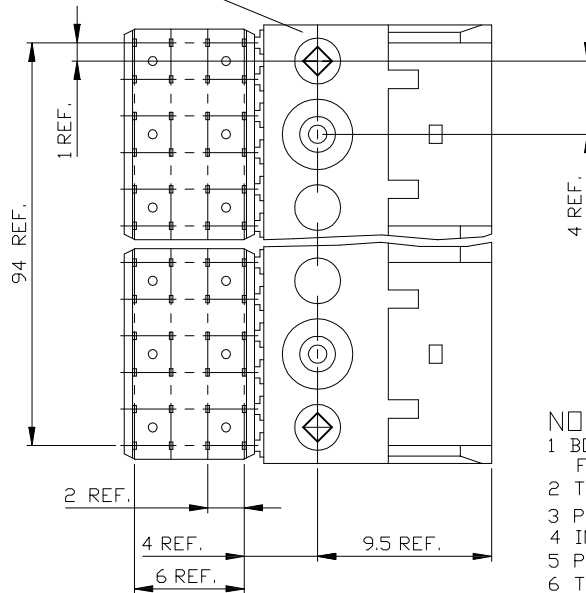
All rights strictly reserved. Reproduction or issue in any form without written authority from the proprietor. Property of F.C.I. bv. © F.C.I. bv.



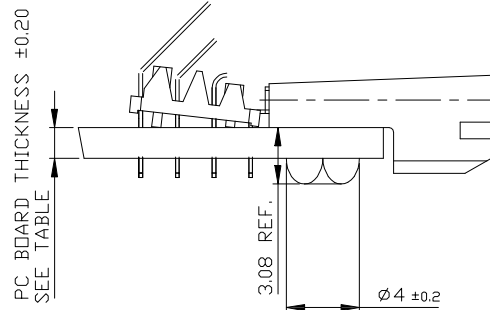
| PC BOARD VERSIONS |               |        |
|-------------------|---------------|--------|
| PRODUCTNR:        | PCB THICKNESS | DIM"A" |
| 70230-X03/X03LF   | 1.6           | 2.90   |
| 70230-X13/X13LF   | 2.4           | 3.53   |



NOTE 11



PRODUCT AFTER HOT RIVETTING.



RECOMMENDED HOLE PATTERN,  
COMPONENT SIDE.

NOTES:

- 1 BODY MAT'L: LIQUID CRYSTAL POLYMER 30% GLASS  
FLAME RETARDANT ACC. UL 94-V0
- 2 TERMINAL MATERIAL: PHOSPHOR BRONZE.
- 3 PLATING SOLDER TAILS 2-8 鍍 SnPb 90-97 OR 2-8 鍍 PURE Sn
- 4 INDICATED HOLES ARE UNPLATED.
- 5 PRODUCT MARKING: PART NUMBER & BATCH ID.
- 6 THIS PRODUCT MEETS EUROPEAN UNION DIRECTIVES AND OTHER  
COUNTRY REGULATIONS AS DESCRIBED IN GS-22-008.
- 7 THE HOUSING WILL WITHSTAND EXPOSURE TO 260 DEGREE PEAK  
TEMPERATURE FOR 10 SECONDS IN A WAVE SOLDER  
APPLICATION.
- 8 DIAMOND LOCATION PEG ARE ONLY EXISTED ON THE  
BOTH SIDES OF PRODUCT.

PLATING CONTACT AREA:

|            |                   |
|------------|-------------------|
| DASH NR:   | PERFORMANCE LEVEL |
| -1YY/1YYLF | TELCORDIA CO      |
| -2YY/2YYLF | CUSTOMER SPECIAL  |
| -3YY/3YYLF | CUSTOMER SPECIAL  |

| mat'l code |          | tolerances unless otherwise specified |      | CUSTOMER CDY |             | FCJ   |            |
|------------|----------|---------------------------------------|------|--------------|-------------|---|------------|
| ltr        | ecn      | nodr                                  | date | linear       | projection  | title RA FEMALE SIGNAL<br>STB 96 mm VERSION |            |
| N          |          |                                       |      | angles       | mm          | product family                              | METRAL(tm) |
|            |          |                                       |      | dir          | Heaven Cen  | 11/20/06                                    | code       |
|            |          |                                       |      | engr         | Collins Lu  | 11/20/06                                    | 213        |
|            |          |                                       |      | chr          | Beer Fu     | 11/20/06                                    | sheet      |
|            |          |                                       |      | appd         | Joseph Hsia | 11/20/06                                    | 3 of-      |
| sheet      | revision |                                       |      | scale        | 5:1         |   |            |
| index      | sheet    |                                       |      |              |             |   |            |