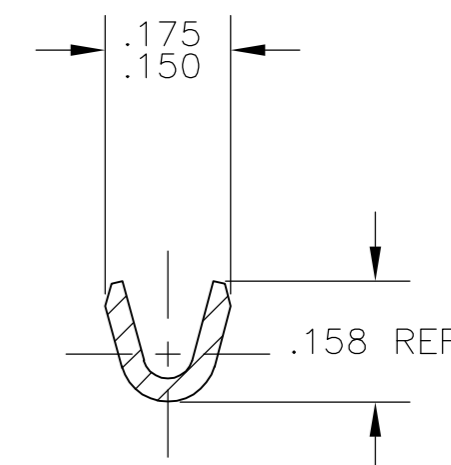
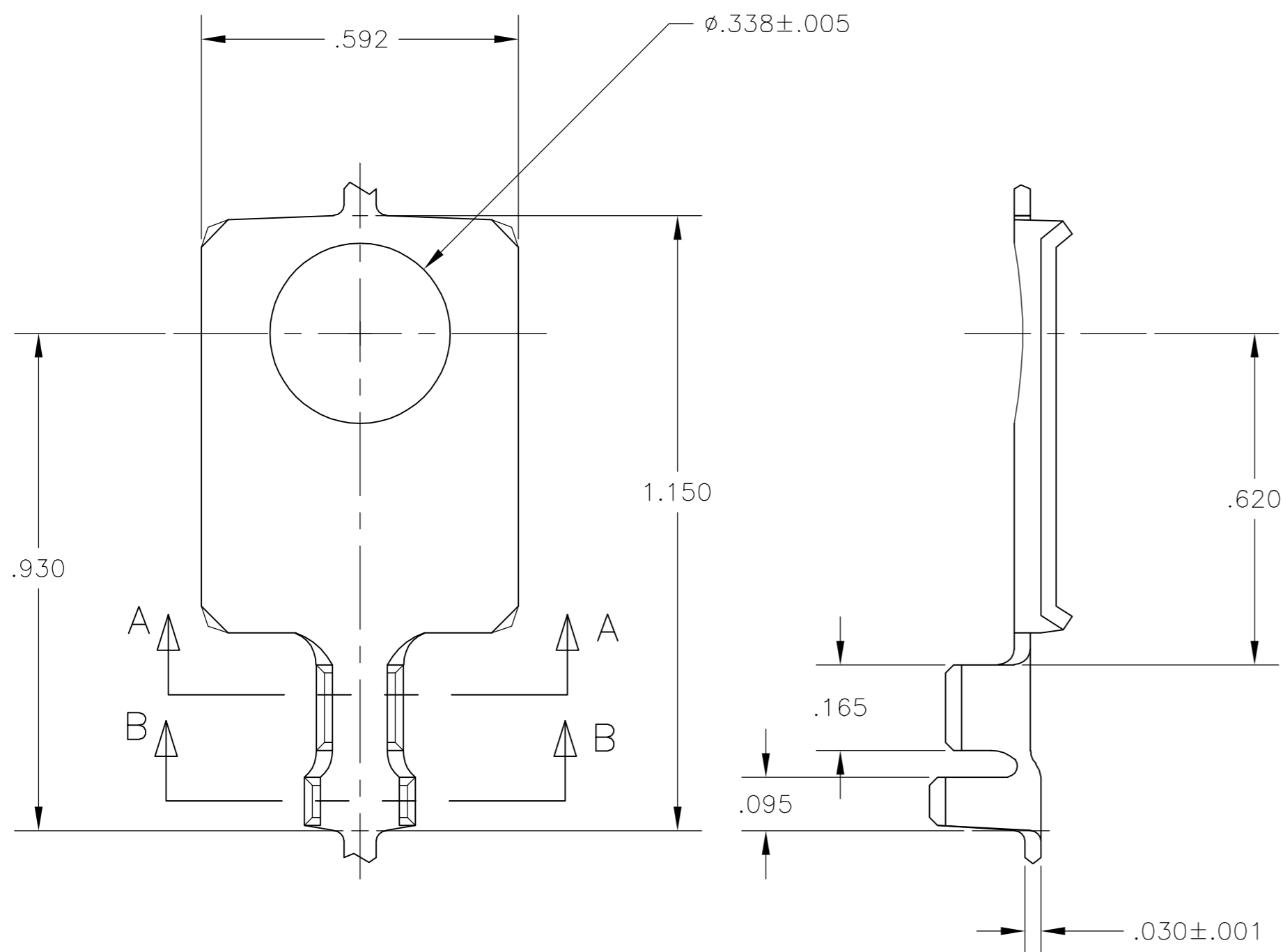
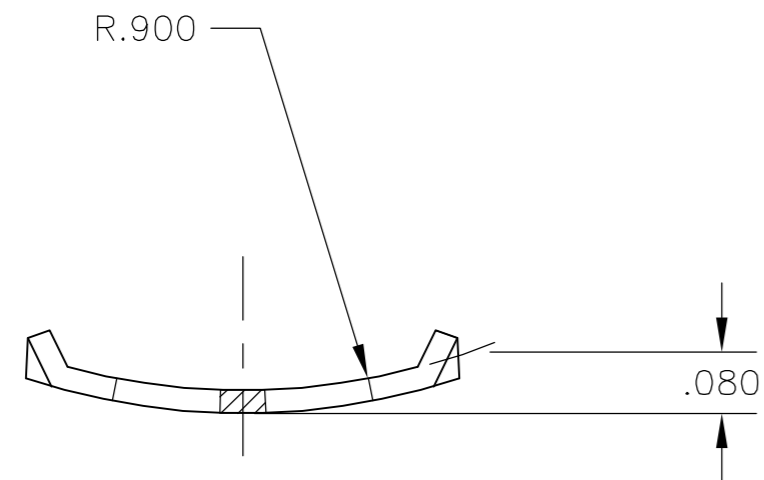


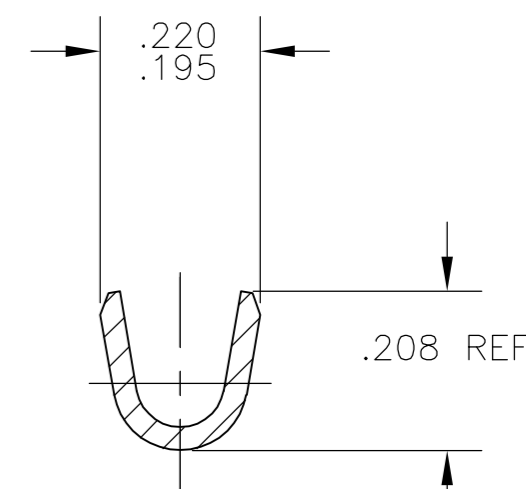
THIS DRAWING IS UNPUBLISHED. RELEASED FOR PUBLICATION  
 © COPYRIGHT BY TYCO ELECTRONICS CORPORATION. ALL RIGHTS RESERVED.

LOC		DIST		REVISIONS			
P	LTR	DESCRIPTION		DATE	DWN	APVD	
AF	50	E		REVISED PER OG3A-0959-04	10DEC04	MF	DD

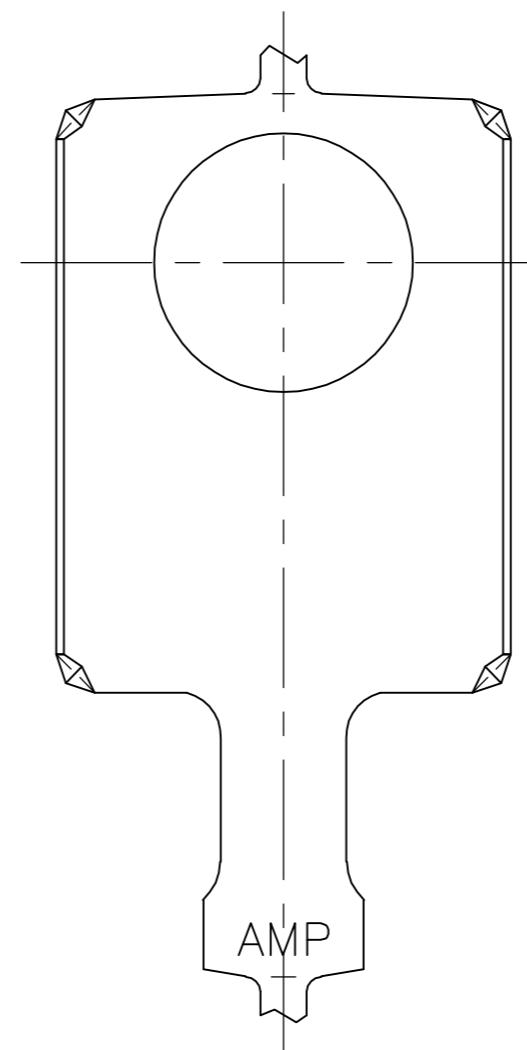
- 1 CONTINUOUS STRIP ON REELS.
- 2 WIRE RANGE: #18-#14 AWG.
- 3 INSULATION RANGE: .090-.140 DIA.



SECTION A-A



SECTION B-B



61359-1  
PART NUMBER

THIS DRAWING IS A CONTROLLED DOCUMENT.		DWN MICHAEL S. FEHER	01DEC2004		 Tyco Electronics Corporation Harrisburg, Pa 17105-3608																
DIMENSIONS: INCHES		CHK DONALD F. DECKER	10DEC2004																		
TOLERANCES UNLESS OTHERWISE SPECIFIED:		APVD DONALD F. DECKER	10DEC2004																		
<table border="1"> <tr><td>0 PLC</td><td>±</td><td>-</td></tr> <tr><td>1 PLC</td><td>±</td><td>-</td></tr> <tr><td>2 PLC</td><td>±</td><td>-</td></tr> <tr><td>3 PLC</td><td>±</td><td>.010</td></tr> <tr><td>4 PLC</td><td>±</td><td>-</td></tr> <tr><td>ANGLES</td><td>±</td><td>-</td></tr> </table>		0 PLC	±	-		1 PLC	±	-	2 PLC	±	-	3 PLC	±	.010	4 PLC	±	-	ANGLES	±	-	PRODUCT SPEC
0 PLC	±	-																			
1 PLC	±	-																			
2 PLC	±	-																			
3 PLC	±	.010																			
4 PLC	±	-																			
ANGLES	±	-																			
MATERIAL TEMP 3 STEEL		FINISH .000080 MIN TIN		APPLICATION SPEC	NAME																
		WEIGHT		SIZE	CAGE CODE																
CUSTOMER DRAWING		SCALE 4:1		DRAWING NO	RESTRICTED TO																
		SHEET 1 OF 1		A2 00779 C=61359																	
		REV E																			